

RUEBY

COMPANION PRO



**Read all instructions before you operate your grill.
Save these instructions!**



To installer or person assembling grill: Leave this manual with grill for future reference.

To consumer: Keep this manual for future reference.

www.sunstonemetalproducts.com

Welcome & Congratulations

Congratulations on your purchase of a new Sunstone Ruby Series Companion Pro Grill! We are very proud of our product and we are completely committed to providing you with the best service possible. Your satisfaction is our #1 priority. Please read this manual carefully to understand all the instructions about how to install, operate and maintain for optimum performance and longevity. We know you'll enjoy your new grill and thank you for choosing our product. We hope you consider us for future purchases.

How to Obtain Service

Before you call

Is there Gas supplied to the Grill?

Have you recently refilled the LP Tank?

Please make sure you have the following information:

MODEL NUMBER | DATE OF PURCHASE | INVOICE NUMBER.

For warranty service, contact SUNSTONE Customer Service Department at (888)-934-9449 or email service@sunstonemetalproducts.com.

SUNSTONE METAL PRODUCTS LLC.
16004 Central Commerce Dr, Pflugerville Texas 78660.

Business Hours.

Mon. to Thur. 9:00AM to 4:30PM

Closed Fri/Sat/Sun

Tel: 512-487-5116

Toll Free: 888-934-9449 (Technical Support Line)

Fax: 512-487-7016

Must keep copy of your sales slip for proof of purchase.

NAME _____ DATE OF PURCHASE _____

ADDRESS _____

MODEL NO _____ INVOICE NO _____

COMPANY THAT YOU PURCHASED FROM _____

INDEX DIRECTORY

GRILL PARTS

PARTS INDEX	1
PARTS DIAGRAM	2

GRILL INSTALLATION

STEP BY STEP GUIDE	3-4
PRODUCT DETAILS	5
CUT-OUT DETAILS	6
OVERHEAD STRUCTURE	7-8
ENCLOSED INSTALLATION	8-9

GAS SETUP

INSTALLATION OVERVIEW	10
LARGE CAPACITY LP TANKS	11
MEDIUM CAPACITY LP TANKS	12
NATURAL GAS INSTALLATION	13

GRILL STARTUP

LIGHTING THE GRILL	14
TROUBLE SHOOTING	15

GAS GRILL CONVERSION

NG TO LP CONVERSION	16-19
LP TO NG CONVERSION	19-22

GRILL WARRANTY

23

HAZARDS & WARNING SIGNS



ATTENTION: Indicates a potentially hazardous situation which, if not avoided, may result in minor or moderate personal injury, or property damage.



WARNING: Indicates an imminently hazardous situation which, if not avoided, will result in death or serious injury.



VOLTAGE: Indicates a potentially hazardous situation which, if not avoided, may result in minor or moderate electrical shock.



EXPLOSION: Indicates an imminently hazardous situation which, if not avoided, will result in possible explosion and cause death or severe injury.



BODILY INJURY: Indicates a potentially hazardous situation which, if not avoided, may result in minor or moderate personal injury, or property damage.



HOT SURFACE: Indicates an imminently hazardous hot surface which, if not avoided, will result in serious burn or injury.



LIVE CIRCUIT: Indicates a potentially hazard from Live electrical current that if extreme caution is not used, may result in minor or moderate personal injury, or property damage.

START-UP

CHECKLIST



ATTENTION: Never operate the grill unattended.

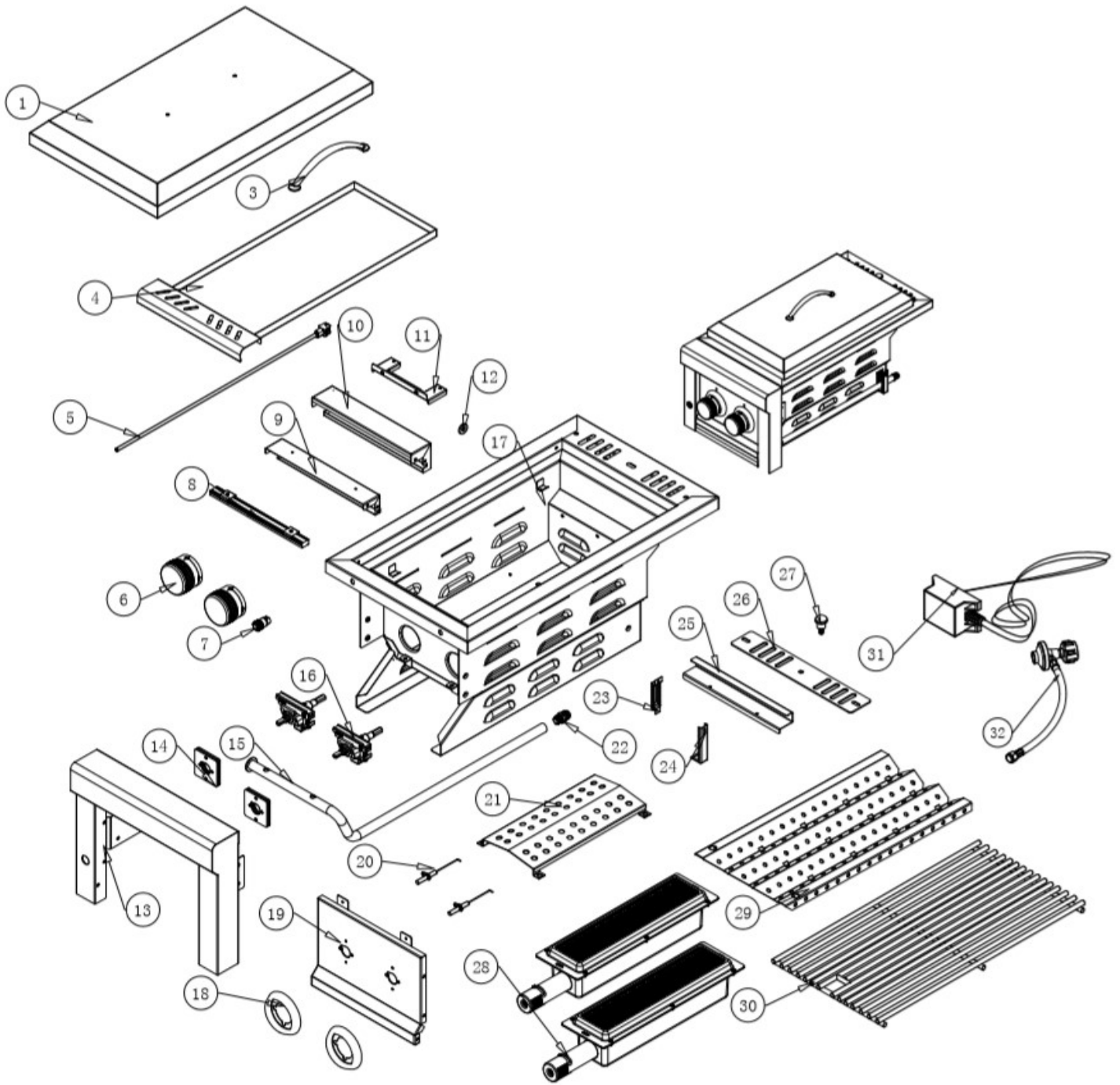


EXPLOSION: When Igniting the Grill – Always keep the Hood Open.

“FIRST TIME STARTUP CHECKLIST”

- Transformer Electrical Plug is properly installed.
- Installation of the proper gas type and regulator settings.
- The proper Regulator & Gas Connection is complete.
- Minimum 24” Inch to Combustible Clearances are maintained.
- All packaging has been removed from Interior of Grill
- All parts and components are properly installed.
- An installer-supplied manual gas shut-off valve is fully accessible.
- LP hose is clean and inspected for cuts, wear, abrasion, or leaks. Replace if necessary, with a suitable UL, ETL or CSA Listed part with internally threaded connection.

	NAME	QTY	PART NUMBER
1	COVER	1	SUN13CPRO-CO
2	--	-	
3	Cover Classic Handle	1	P-HANDLE
4	Drip Pan Tray	1	SUN13CPRO-PAN
5	Electrical Wire Plug	1	P-ELECT-PLUG
6	Burner Large Knob	2	P-KNOB-L
7	LED Light Button	1	P-LIGHT-BUT
8	LED Light Strip	1	SUN13VDB-LED
9	LED Light Support	1	SUN13CPRO-SUP
10	LED Light Casing	1	SUN13CPRO-CAS
11	LED Clip Bracket	1	SUN13CPRO-BRA
12	Spacing O-Ring + Screw	4	SUN13CPRO-SPACER
13	Control Panel Frame	1	SUN13CPRO-CPANEL
14	Valve Spacer	2	SUN13CPRO-VSPACE
15	Manifold Pipe	1	SUN13CPRO-MANI
16	Piezo Valve – LP/NG	2	SUN13CPRO-VALVE-LP/NG
17	Fire Box	1	SUN13CPRO-FBOX
18	Knob Ring	2	P-KNOB-RING
19	Knob Control Panel	1	SUN13CPRO-KCPANEL
20	Thermo-Coupler	2	SUN13CPRO-THERMO
21	Oil Pan Cover	1	SUN13CPRO-DPANC
22	Flare Adapter –LP/NG	1	SUN13VDB-FLAR-LP/NG
23	Manifold Inner Bracket	1	P-MANI-BRAK-1
24	Manifold Outer Bracket	1	P-MANI-BRAK-2
25	IR Burner Support	1	SUN13CPRO-IRB-SUP
26	Back Vent Panel	1	SUN13CPRO-BVENTP
27	Vent Panel Knob	1	CHDZ42-VENT-KNOB
28	Infra-Red Burners	2	SUN13CPRO-IRBURNER
29	Flavorizer Rack	1	R-FL-3B
30	Straight 304 SS Grate	1	SUN13CPRO-SGRATE
31	Transformer	1	P-LT
32	LP Regulator	1	LP-REG
33	NG REGULATOR	1	NG-REG





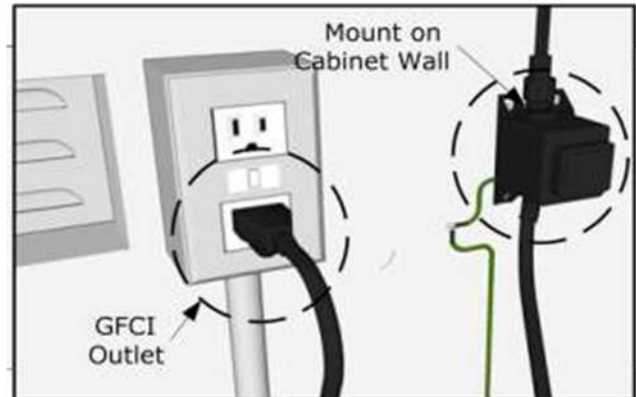
LIVE CIRCUIT: Use only with a Ground-Fault Circuit Interrupter - GFCI protected Outlet with this Grill.



VOLTAGE: Use only extension cords approved for outdoor use marked with W-A Certifications and rated for the power of this appliance.

1. Mount Transformer

Using metal screws and attach the transformer to the back inner wall of your island's cabinet wall, somewhere near the already installed GFCI electrical outlet. When you plug the transformer in, double check the GFCI breaker switch, that the outlet has power.



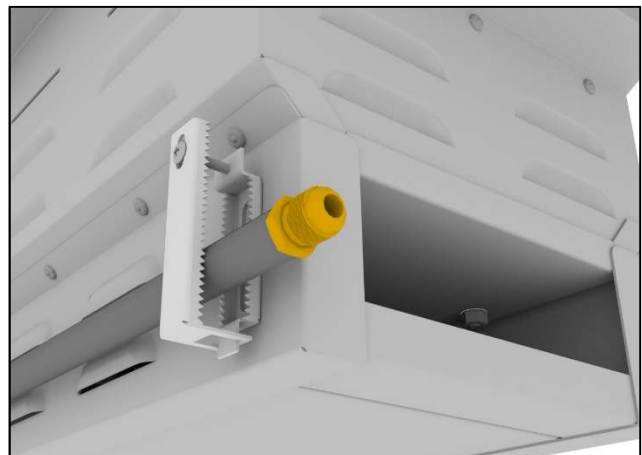
2. Elect. Connection

Locate the Light Button on Left side of grill control panel. The Transformer's electrical connection to grill is located behind control panel, next to light button. The connection clips together to form a secure connection. Double check that all wires are tightly pushed into plug sockets, so all wires make proper connections. You can tuck wire into body of grill or island frame.



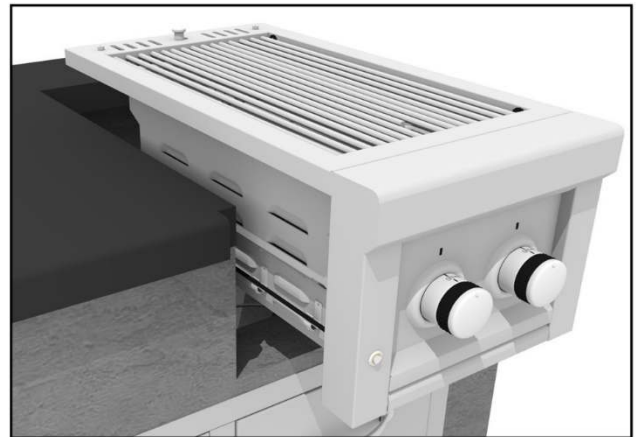
3. Gas Line Connection

See the BACK-RIGHT UNDER-SIDE – This is where the Gas Line will connect to the Grill. Grill is shipped as either LP or NG gas type. Recommendation to have an 18" hose to allow grill to be pulled out if necessary. For LP & NG Gas Installation, see pages 11 to 13 for complete instructions, or call 888-934-9449 for additional assistance.



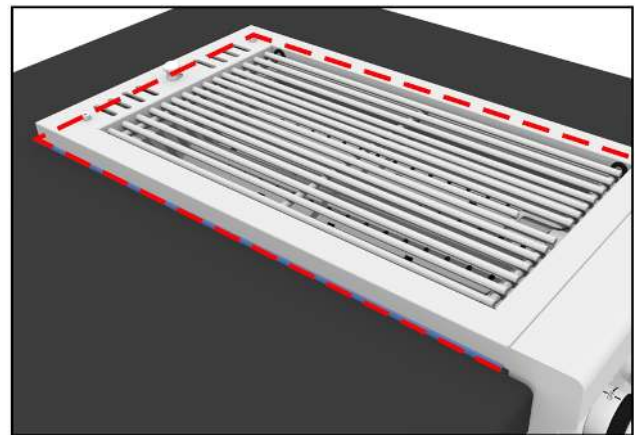
4. Slide Grill in Place

The grill is specially designed with an internal built in hanger lip located at the Right, Left and Back sides. The grill lip allows it to hang by the three supported edges on the right, left and back. The front control panel requires no supporting edge, it is designed to hang down the front of your cut-out.



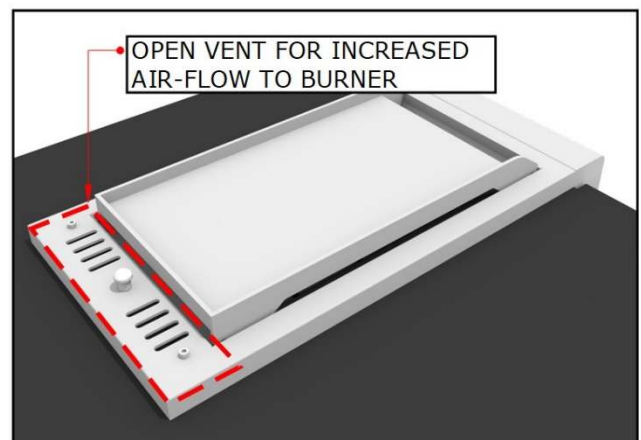
5. Silicone Seal

It is recommended to seal all three outer edges using Clear-Silicone which will prevent any rain water or insects from getting down into island enclosure and or water buildup in the drip pan of grill.



6. Allow for Ventilation

The grill is engineered with special vents on the back of unit, which allow proper airflow out of the back of grill. Push grill all the way into cut-out, there is a stopper flange just behind the back vent which will insure the area stays clear for adequate air flow to the bottom burners. The Control Panel should be flush against the front of your island finish wall, see Cut-Out Details for Notch-Out Instructions.



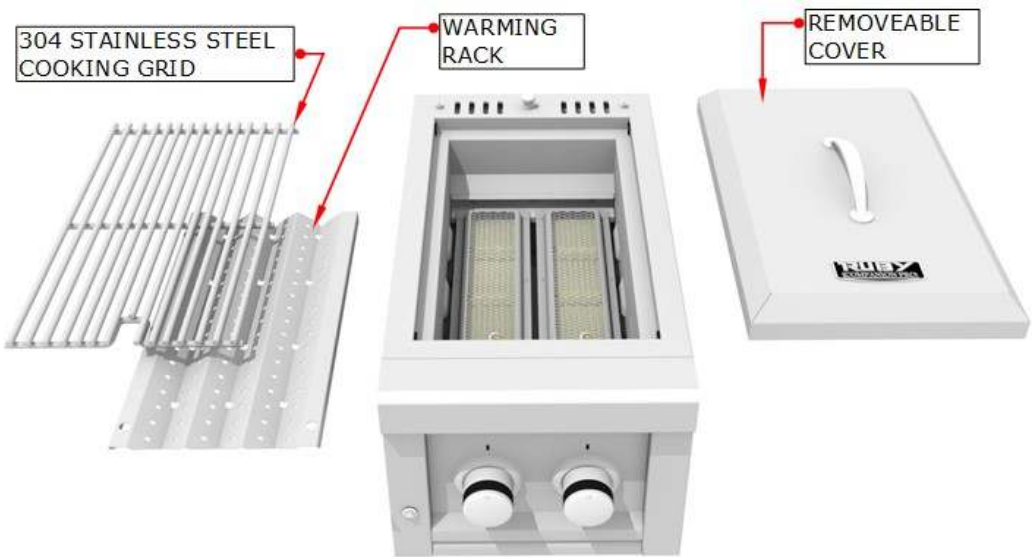
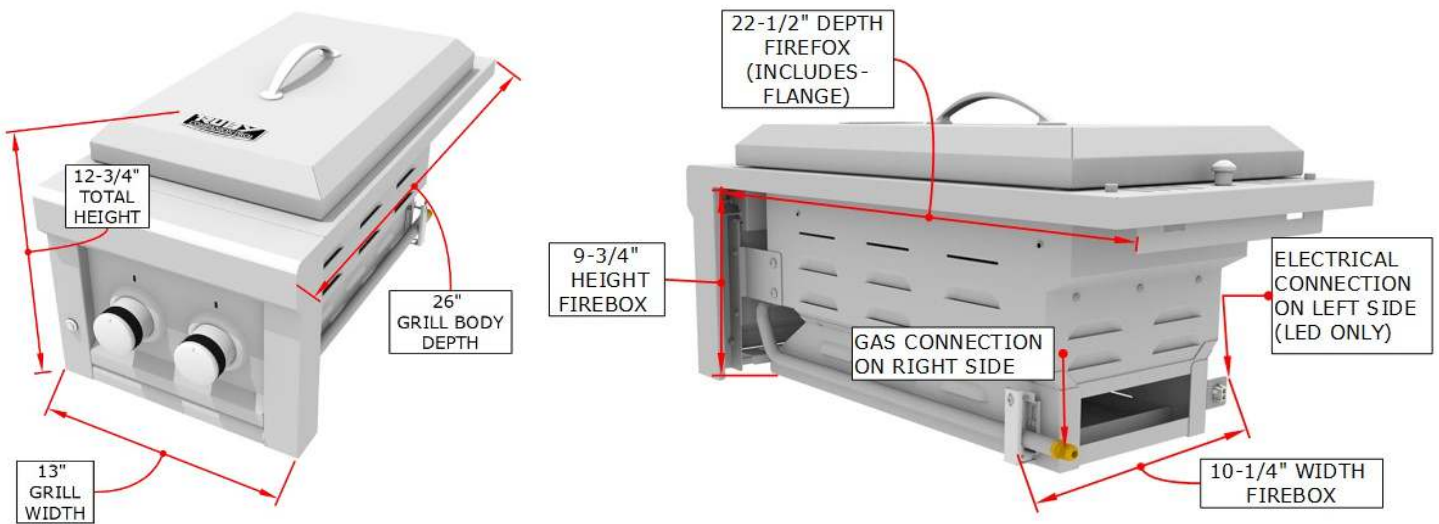
GRILL INSTALLATION – PRODUCT DETAILS

Technical Measurements

If you are installing grill into cabinet structure you may need to refer to these engineer dimensions specifically the grill firebox dimensions. (Measurements were obtained from engineer drawing. margin of error is within 1/8" to actual product)

Product Size	
Overall Width-----	13"
Overall Height-----	12-3/4"
Overall Depth-----	26"

Firebox Size – See next page	
Box Width (includes brackets)	10-1/4"
Box Height-----	9-3/4"
Box Depth (includes flange)	22-1/2"

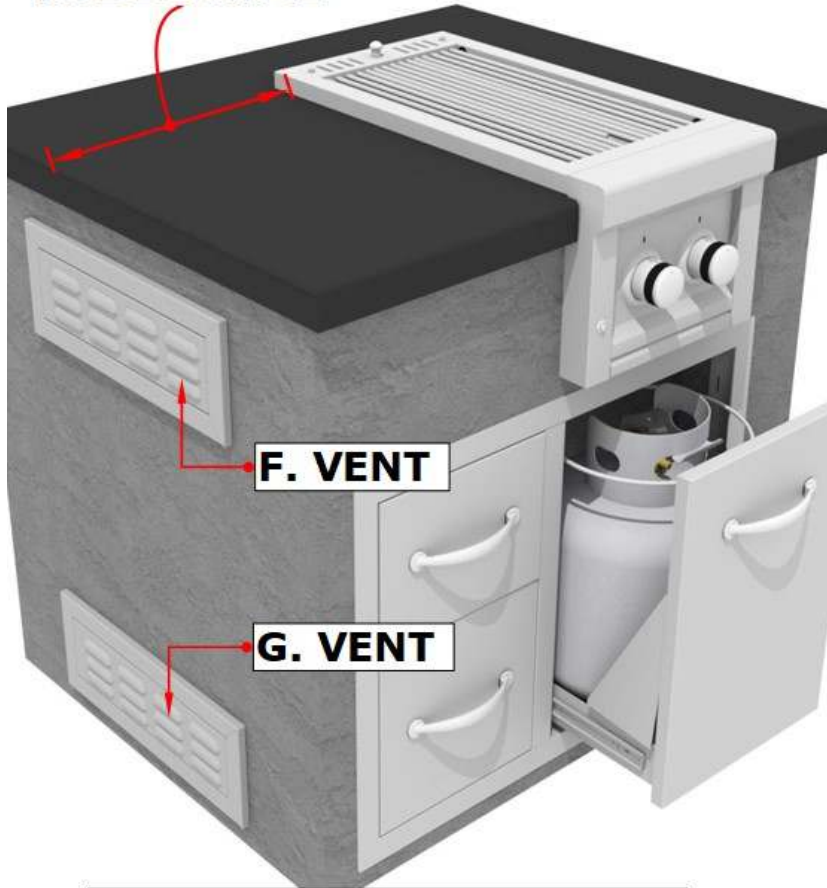




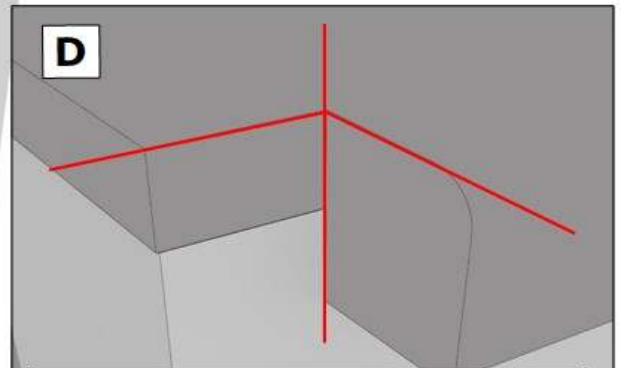
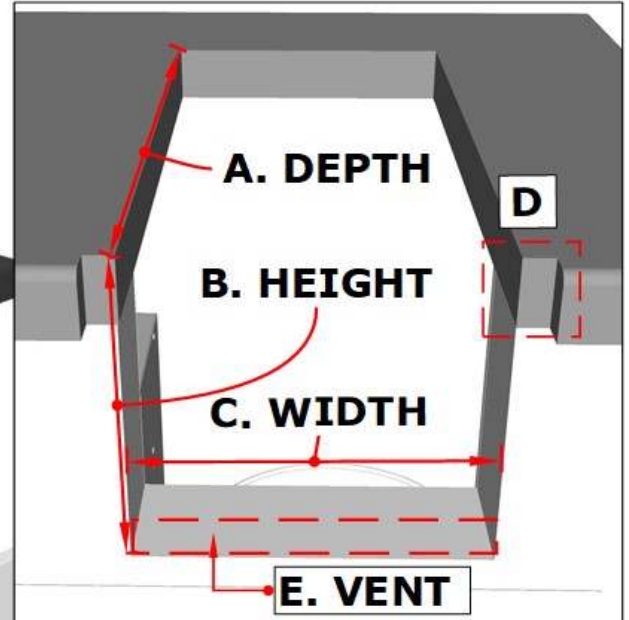
ATTENTION: Never build an enclosure under the Grill or partition side walls, the Grill must be Free Hanging supported by the countertop only! Must have clear access to underside of Grill within reach of at least Two Vents.

GRILL IS FREE-HANGING FROM COUNTER TOP ONLY. NEVER BUILD SHELF OR ENCLOSURE BELOW THE GRILL.

H. DISTANCE



CUT-OUTS ARE GIVEN 3/4" MINIMUM AIR FLOW VENT BELOW THE GRILL DRIP PAN.



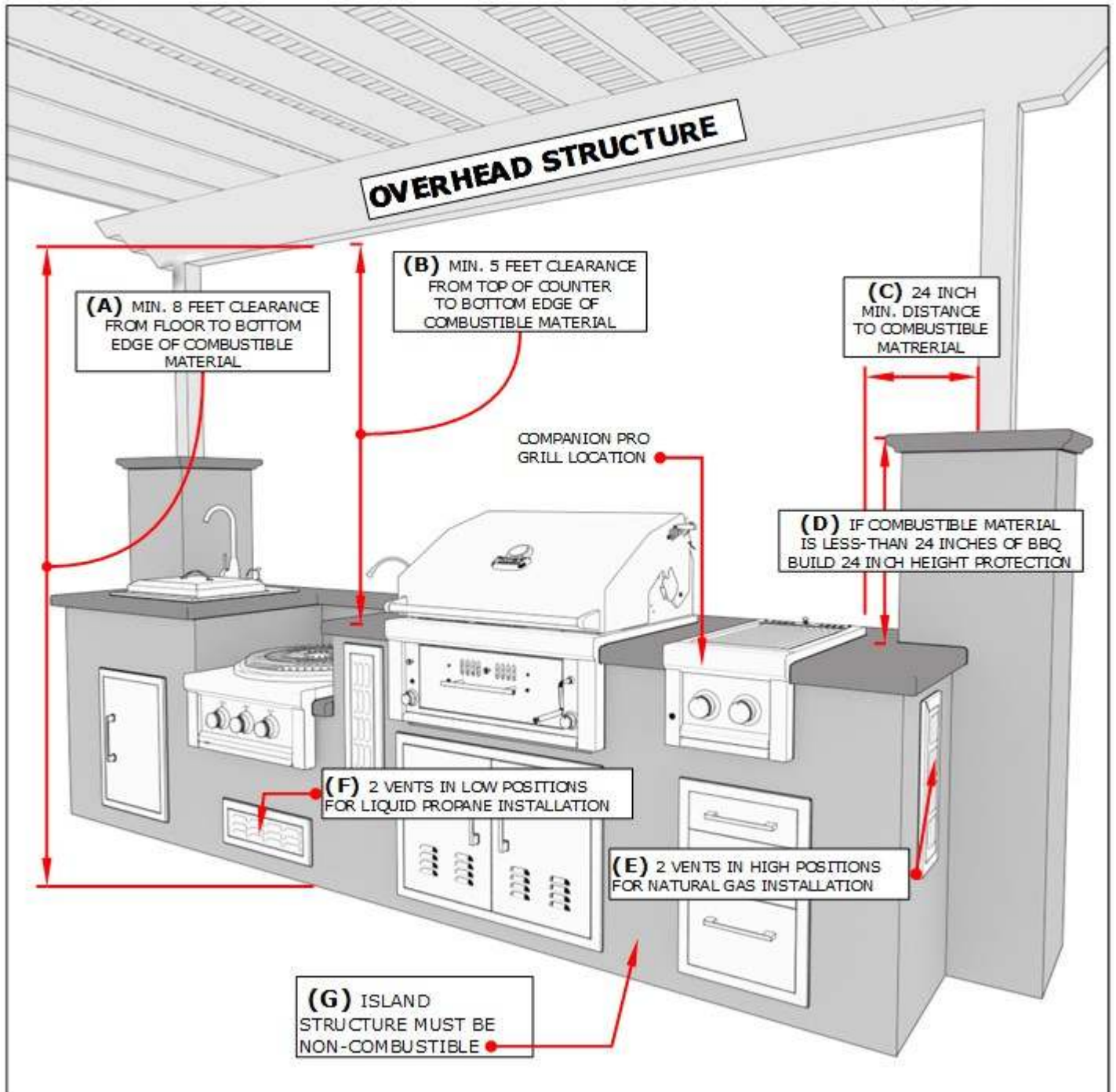
FOR COUNTER WITH ANY OVERHANG BE SURE TO MAKE 1x1 INCH CUT-OUT IN EACH CORNER

Countertop Slide-in Installation

- (A) Grill Cut-out Depth ----- 22" Depth
- (B) Grill Cut-out Height (Allow 3/4" Air-Flow Gap Below Drip Pan) ----- 10-1/2" Height
- (C) Grill Cut-out Width----- 11" Width
- (D) Make 1" x1"D Notch Cut-Out on both side of cut-out counter edge, to allow grill to slide flush against the island finish wall.
- (E) Leave Minimum 3/4" Gap below Drip Pan for Air/Gas Ventilation
- (F) Must have TWO Vents in HIGH position for Natural Gas
- (G) Must have TWO Vents in LOW position for Liquid Propane
- (H) MINIMUM 24" DISTANCE TO COMBUSTIBLE MATERIALS

Overhead Structure Definition:

Structure built above Appliance that is sometimes attached to the home's exterior outside wall or roof and there is a Minimum of "Two" adjacent sides which are open with outside exposure.



ATTENTION: All Gas Grill Installations MUST HAVE MINIMUM TWO AIR-FLOW VENTS, either in ELEVATED POSITION for Natural Gas or LOWERED POSITION for Liquid Propane. Your Warranty may be VOID if island does not meet basic setup requirements.

Clearances to Combustible Construction:

Minimum of 24” from the sides and rear of grill must be maintained to adjacent vertical combustible construction, above the countertop level. You should take in account that there is a large volume of heat, and smoke will exhaust from the rear of the grill. This may discolor or damage unprotected areas, do not install under unprotected combustible construction without using a fire safe ventilation system. A 24” minimum clearance must be maintained under the countertop to combustible construction. The clearance can be modified by a use of an insulated jacket.

The Table below refers to illustration on page 7

Minimum Distances to Combustible Materials or other Appliance ONLY, Non-Combustible materials do not apply!	
(A) From Floor to Overhead Combustible Structure	8’ Min. Clearance
(B) From Counter to Overhead Combustible Structure	5’ Min. Clearance
(C) From Appliance to Combustible Material	24” Min. Width Clearance
(D) From Counter to Combustible Material if within 24” of Appliance	24” Min. Height Clearance
(E) Must have TWO Vents in HIGH position for Natural Gas	
(F) Must have TWO Vents in LOW position for Liquid Propane	

DEFINITION OF COMBUSTIBLE MATERIAL - Any materials of a building structure or decorative structure made of wood, compressed paper, plant fibers, vinyl/plastic or other materials that are capable of transferring heat or being ignited and burned. Such material shall be considered combustible even though flame-proofed, fire-retardant treated or surface-painted, or plastered.

The Table below refers to illustration on page 9

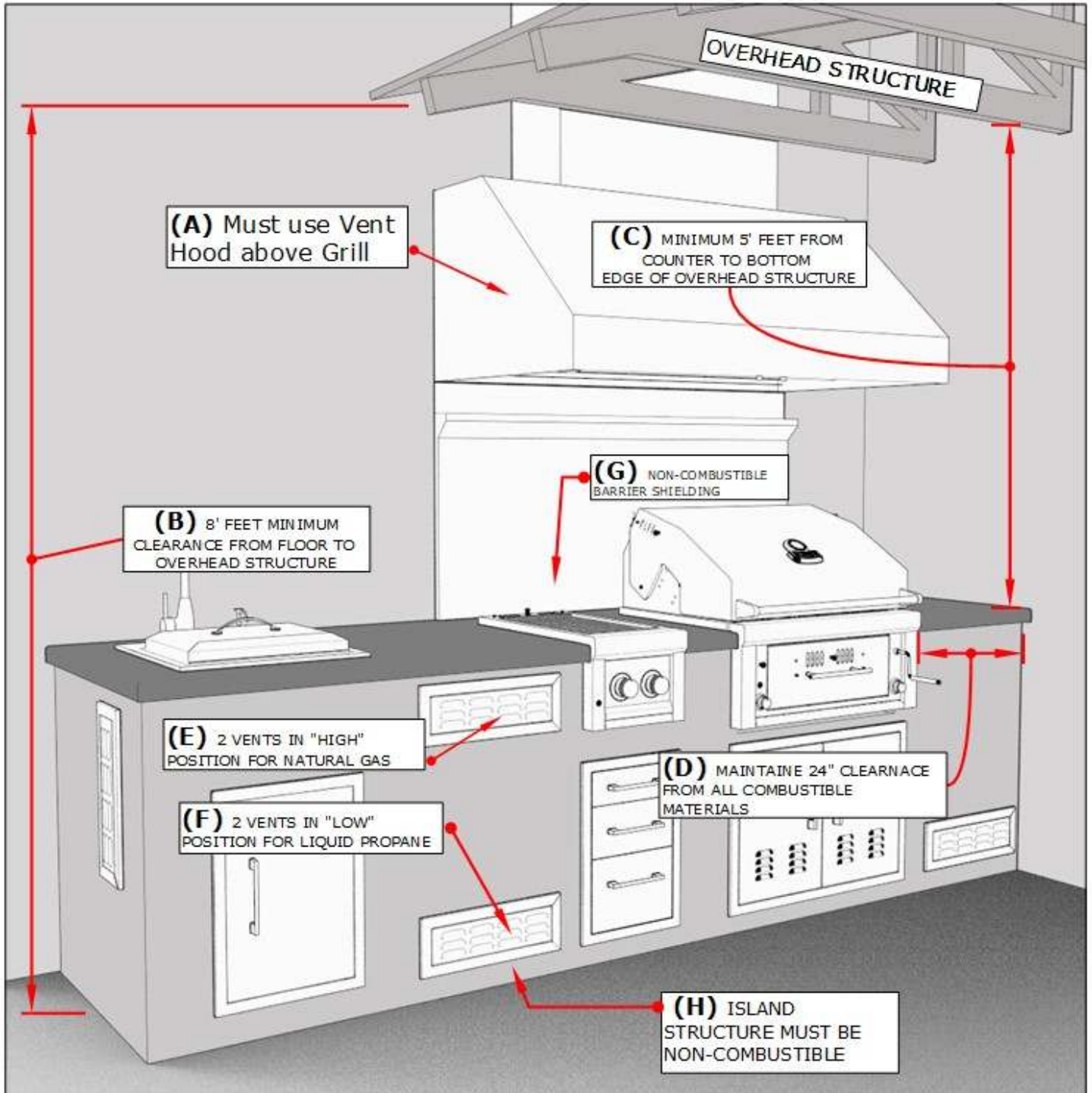
Minimum Distances to Combustible Materials or other Appliance ONLY, Non-Combustible materials do not apply!	
(A) Must use vent hood above grill for enclosed structures	
(B) Minimum clearance from floor to overhead structure	8’ Min. Clearance
(C) Minimum distance from counter to overhead structure	5’ Min. Clearance
(D) Minimum clearance from all combustible materials	24” Min. Clearance
(E) Must have TWO Vents in HIGH position for Natural Gas	
(F) Must have TWO Vents in LOW position for Liquid Propane	
(G) Install Non-Combustible Barrier Shielding, Stainless Steel Sheet is recommended.	
(H) Island Structure must be Non-Combustible otherwise must use grill jacket or metal cabinet.	



BODILY INJURY: Failure to maintain required clearances create a fire hazard that may result in property damage or serious personal injury.

Enclosed Installation Definition:

Structure built above Appliance that is attached to the home's exterior outside wall, roof or is inside a separate structure like outdoor room and there is a Minimum of "One" Side open with outside exposure.



ATTENTION: All Gas Grill Installations MUST HAVE MINIMUM TWO AIR-FLOW VENTS, either in ELEVATED POSITION for Natural Gas or LOWERED POSITION for Liquid Propane. Your Warranty may be VOID if island does not meet basic setup requirements.



CAUTION: Gas conversion kits are available from Customer care by dialing 888-934-9449. When ordering gas conversion kits, have the model number, and the type of gas (natural or LP) ready.

- Use only the gas pressure regulator supplied with this appliance. This regulator is set for an outlet pressure of 11 inches water column.
- An installer-supplied gas shut-off valve must be installed in an easily accessible location.
- All pipe sealants must be an approved type and resistant to the actions of LP/NG Gas.
- Never use pipe sealant on flare fittings.
- All gas connections should be made by a qualified technician and in accordance with local codes and ordinances.
- Before connecting grill to gas source, make sure BBQ Grill control knobs are in “OFF” position.
- Verify the type of gas supply to be used, either Natural Gas or Liquid Propane, and make sure the marking on the appliance rating label agrees with that of the supply.

The installation of this appliance must conform with local codes or, in the absence of local codes, with either National Fuel Gas Code, ANSI Z223.1/ NFPA 54, Natural Gas and Propane Installation Code, CSA B149.1, or Propane Storage and Handling Code, B149.2, or the Standard for Recreational Vehicles, ANSI A 119.2/ NFPA 1192M, and CSA Z240 RV Series, Recreational Vehicle Code, as applicable.



ATTENTION: Always take a leak test before lighting the grill to prevent a possible fire or explosion. Never store a spare propane cylinder in the vicinity of this Grill, or in the vicinity of any other potential heat source. Never attempt to attach this grill to the self-contained LP gas system. Do not use grill until leak testing.



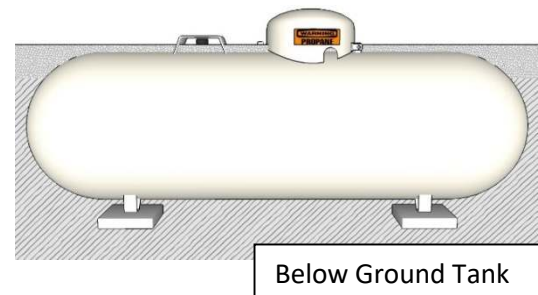
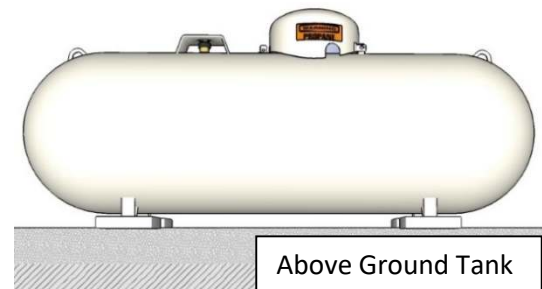
ATTENTION: If you have a Side Yard Propane Tank, you MUST have additional Medium Pressure Regulator located at the Grill. If you do not serious bodily harm may result or damage to the grill and island structure from HIGH Heat.

Large Capacity LP Tanks

Propane is delivered to your home as a very cold liquid and is pumped into a specially designed storage tank which is either Above or Below Ground. The liquid changes to gas before leaving the tank. Propane tanks are typically painted white or silver to reflect heat and prevent the pressure inside the tank.

If you have a side yard LP tank, it will be either Above or Below Ground.

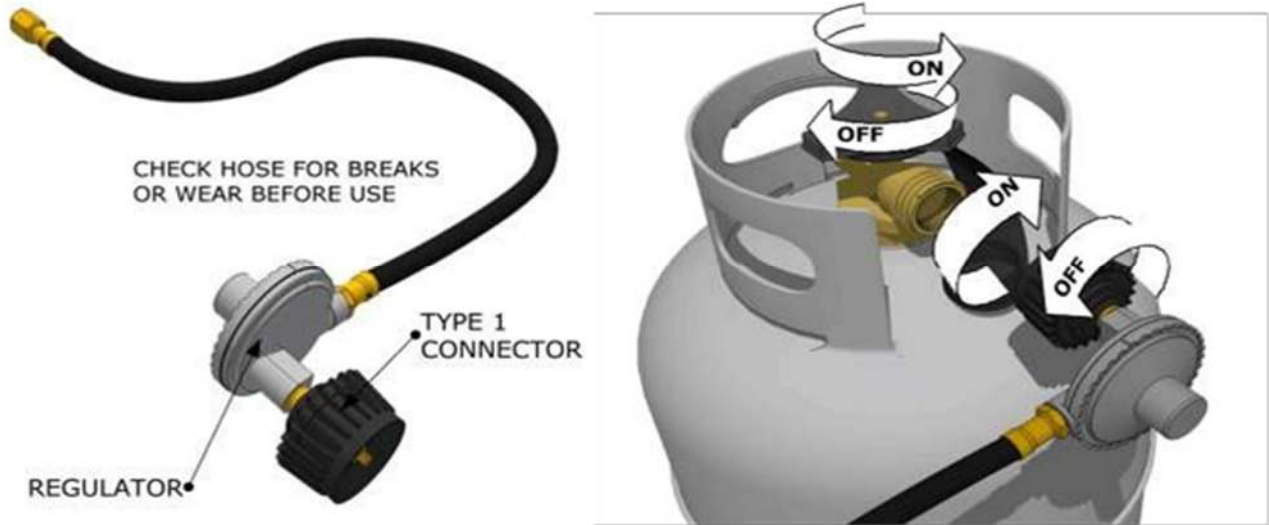
- The cover on top of the tank protects several components from weather and physical damage.
- The tank shut-off valve, which you can close to stop the flow of propane to your home in case of a leak or other emergency.
- The regulator, which controls the pressure of the propane gas coming out of the tank.
- The safety relief valve, which will pop open automatically if the pressure inside the tank gets too high. The valve will close again when the pressure returns to normal.
- The tank gauge, which shows the percentage of propane in the tank.



1. For this type of installation, it is most like NG gas installation method, only the regulator is set for liquid propane. First you will install a gas pipe, coming into island from outside, be sure the Safety Shut-Off valve is easily accessible.
2. Next, locate the gas manifold on grill, for this type of installation, the LP Regulator Hose that comes with your LP Burner is not needed. Gas connections are made with all 3/8" flare Compression Adapters, and UL Gas Hoses.
3. A LP REGULATOR is required for this type of installation, even if the LP Tank is installed with one already. LP regulator for grill should be set for a minimum of 120,000 BTU's with Medium Pressure. This LP grill does not come with an independent LP regulator for this type of installation. Contact the company you purchased from, or your local plumber to locate one, that is made for commercial style grills.

Medium Capacity LP Tank

The Type 1 connection system has the following features: The system will not allow gas to flow until a positive connection has been made. NOTE: The cylinder control valve must be turned off before any connection is made or removed. The system has a thermal element that will shut off the flow of gas in the event of a fire. The system has a flow limiting device which, when activated, will limit the flow of gas to 10 cubic feet per hour. NEVER use grill without leak testing.



Follow Instructions:

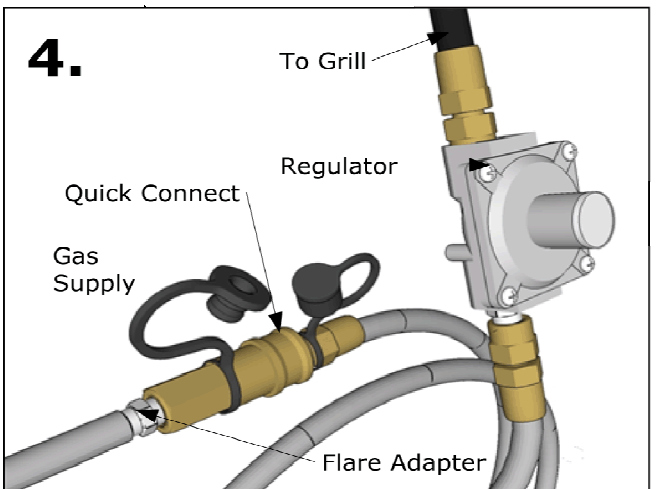
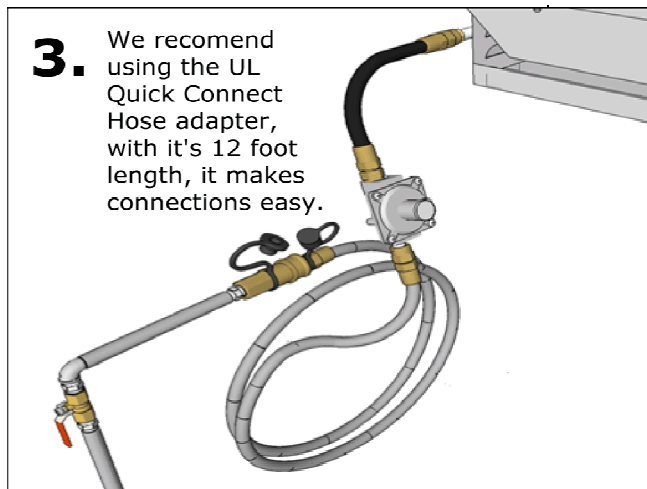
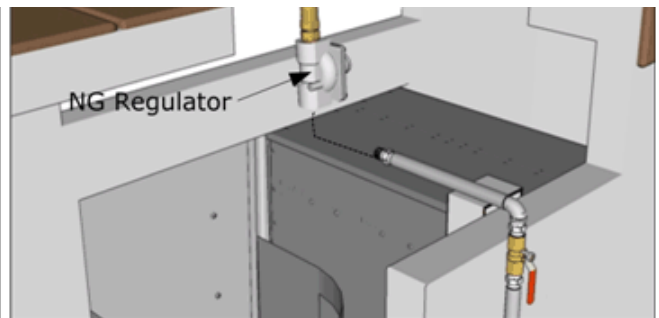
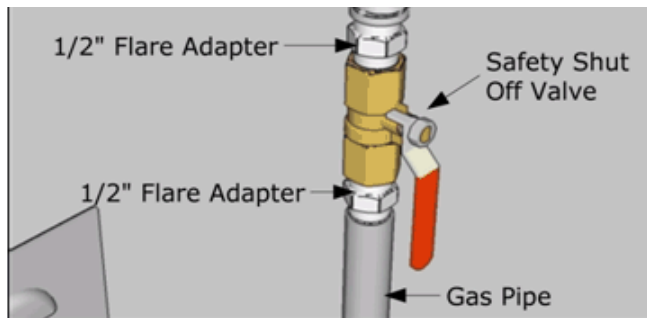
1. The tank valve & all Knobs should be in the “OFF” position. If not, turn the knob clockwise until it stops.
2. Insert the regulator inlet into the tank valve and turn the coupling nut clockwise until the coupler tightens up (see picture above). Do not overtighten the coupler. Turn the main tank valve on and turn the burner control valves on the unit to the “HIGH” position for about 20 seconds to allow the air in the system to purge before attempting to light the burners.

NG Gas Hook-up

The Natural Gas grill is designed to operate on Natural Gas ONLY, at a pressure regulated at 7” water column (W.C.) equipped with the correct natural gas orifices on the valves and a NG medium pressure regulator on the supply line located near the grill and regulated at the residential meter.

Follow Instructions:

1. The tank valve & all Knobs should be in the “OFF” position. If not, turn the knob clockwise until it stops.
2. Insert the regulator inlet into the tank valve and turn the coupling nut clockwise until the coupler tightens up (see picture below). Do not overtighten the coupler. Turn the main tank valve on and turn the burner control valves on the unit to the “HIGH” position for about 20 seconds to allow the air in the system to purge before attempting to light the burners.



REMOVE COVER & OPEN VENT



1. Ensure Grill Control Knobs are In the OFF position, turn either KNOB to High Position.



2. Light the Main Burners by turning either KNOB counter-clockwise SLOWLY to HIGH Position. Allowing Gas to Completely Fill the burner chamber.



3. You will hear a loud click as the electronic lighter produces a spark. Listen for the sound of the gas igniting and look for a glow of Fire Red through the cooking grids. If the burner does not light on the first try, repeat immediately.



4. If the burner does not light in 5 seconds then wait five minutes until the gas clears before attempting to light it again. Repeat the procedure or try manually lighting the burner using a long neck lighter or spark arrest.



5. Upon successful lighting, repeat the process on the other burner.

REMOVE COVER WHEN LIGHTING THE GRILL & OPEN BACK VENT PANEL



TIP: The gas must completely fill the entire burner chamber, so repeat this procedure until the burner ignites all the way from front to back.

6. To shut off the burners, rotate the knob and turn to OFF.



7. It is normal to hear a popping sound when the burners are turned

Q. LED Light is not functioning

A. Likely your LED Light has malfunctioned due to the grill being overheated, or there may be a loose wire on the internal control circuit board. You can access these components by sliding the grill out from your island approx. 6 Inches, there are 4 screws on either side holding the front control panel to grill body, and 2 Alan Wrench Screws on the inside facing towards front panel, you will see 2 Holes. Also unclip the back of grill right side gas manifold to side of grill. There is an inside box containing the LED light strip you will now have access to. You can then easily unplug and replace LED light with new one or check for other loose connections.

Q. The Gas Burners flame is very Low

A. If your grill is using a 25 Pound Portable tank and is directly connected to grill with no other appliance, you may have a Spider Web or other clog in the gas Pipe. If your grill is connected to a Side Yard 500 Gallon Tank, there may be an issue with the Regulator – either it is a Low-Pressure Regulator being used, or not enough gas pressure is being allowed to the grill. If you have any T-Connections in gas line going to other outdoor Appliances like a Fireplace or Side Burner, this can also greatly diminish gas flow.

REQUIRED TOOLS

ALLAN WRENCH

(THE ONE INCLUDED IN YOUR MANUAL)

ADJUSTABLE WRENCH

SCREW DRIVER

(RECOMMEND MAGNETIC ONE)

NEEDLE NOSE PLYIERS

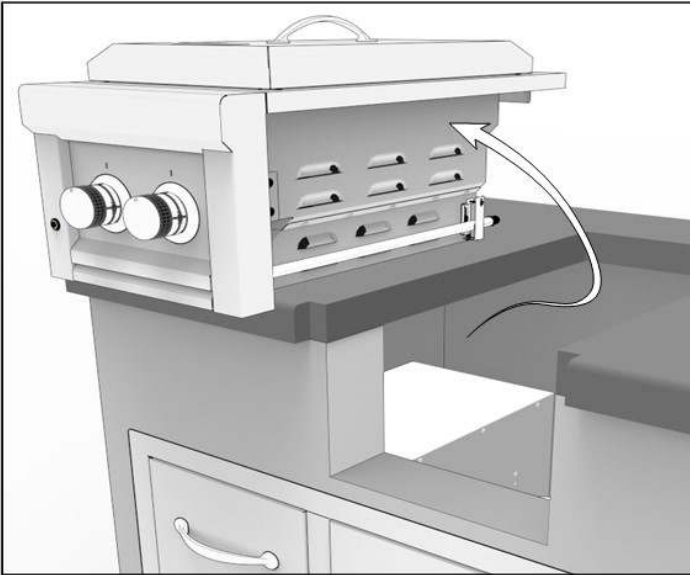
REQUIRED PARTS

LP REGULATOR W/18" HOSE

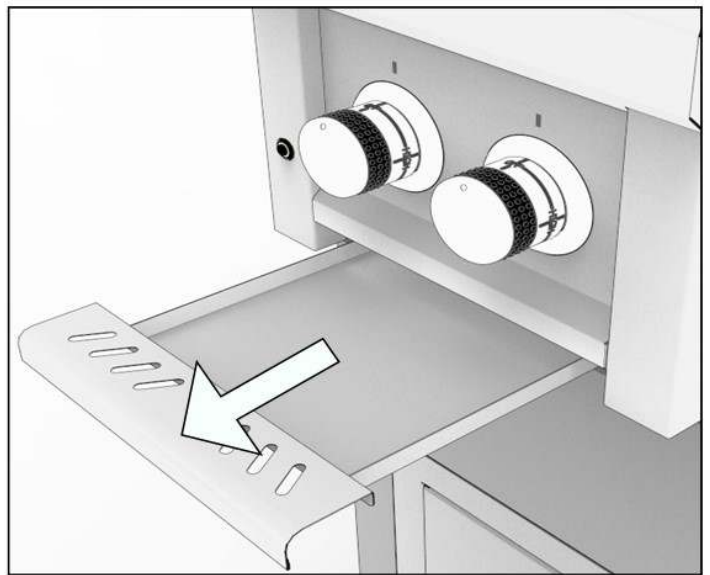
1/2" TO 3/8" FLARE ADAPTER

#50 DRILL BIT

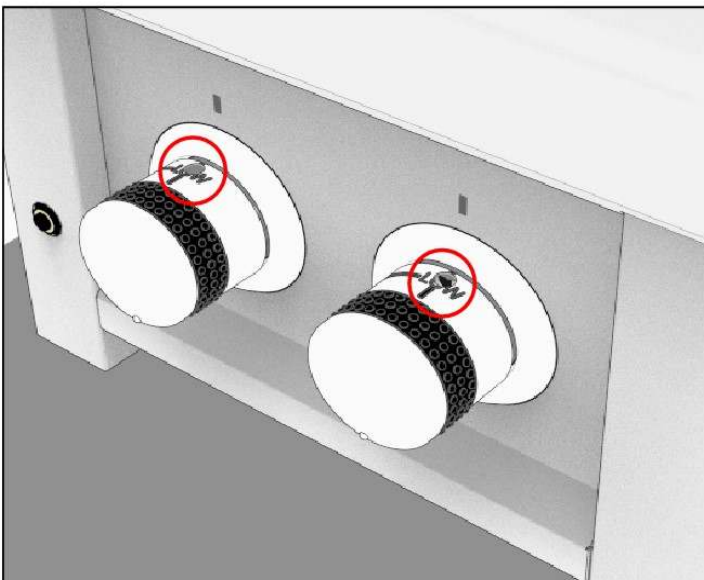
1. REMOVE GRILL FROM ISLAND AND PLACE ON COUNTER TOP.



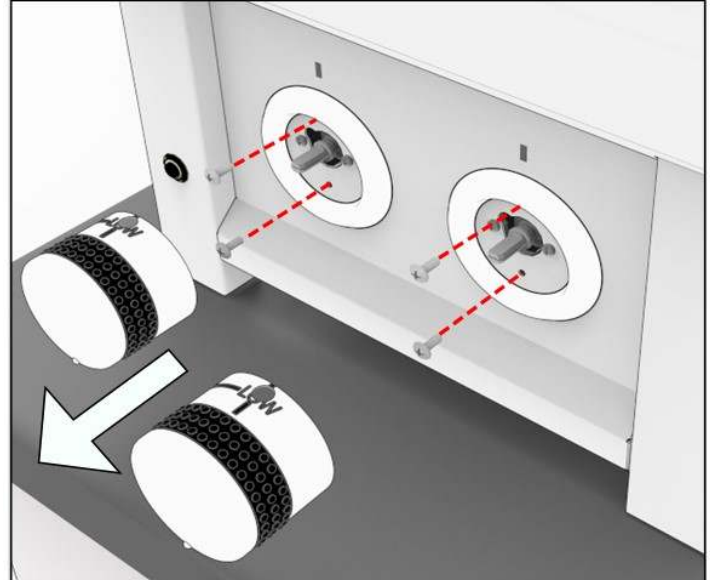
2. COMPLETELY REMOVE DRIP-PAN AND PLACE ON COUNTER



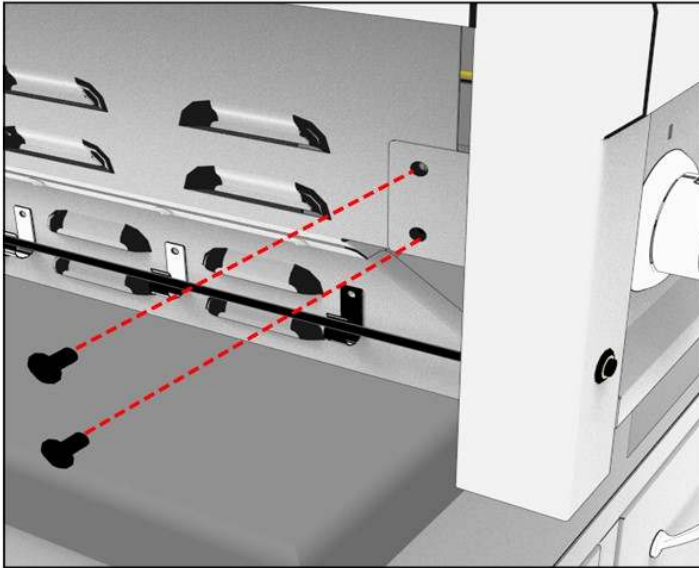
3. TURN KNOBS COUNTER-CLOCKWISE TO REVEAL HOLE, USE ALLAN WRENCH TO REMOVE KNOBS. (ALLAN WRENCH IS INCLUDED IN YOUR MANUAL BAG)



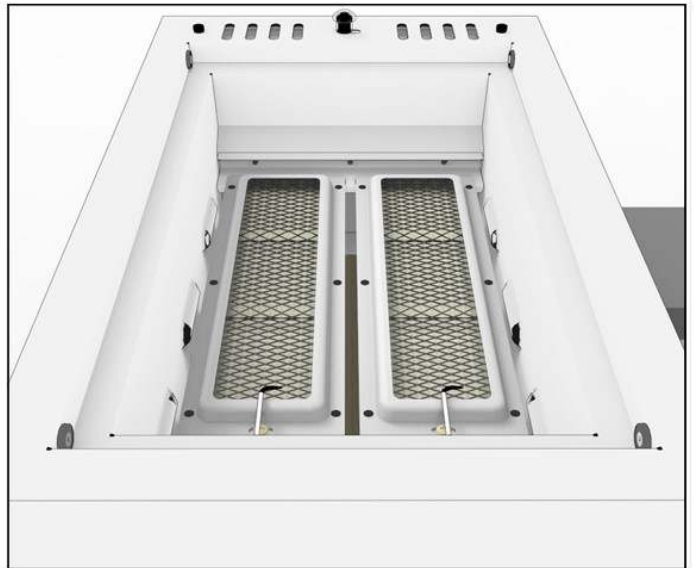
4. UNSCREW AND REMOVE THE TOP AND BOTTOM SCREWS ONLY BEHIND EACH KNOB



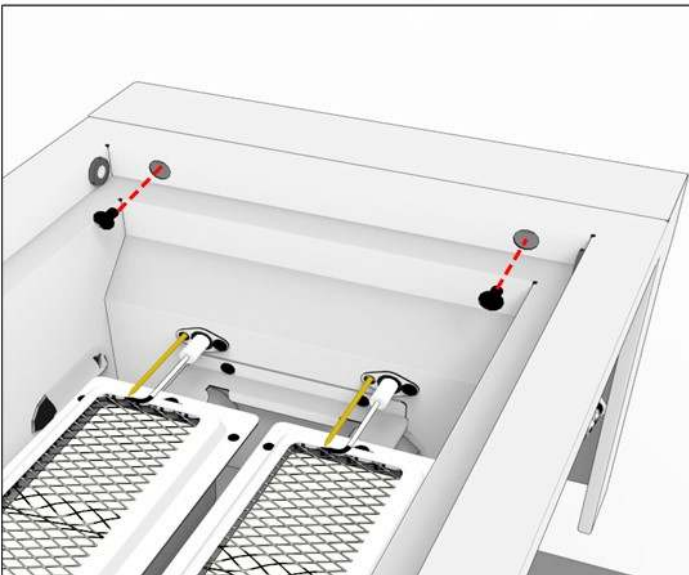
5. REMOVE BOTH LEFT /RIGHT SIDES TWO SCREWS.



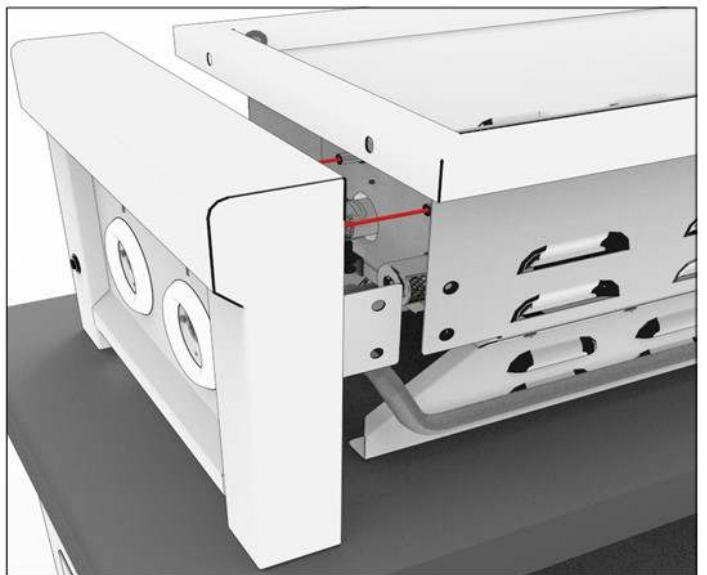
6. REMOVE THE COVER, COOKING GRID AND FLAVORIZER RACK INSIDE GRILL



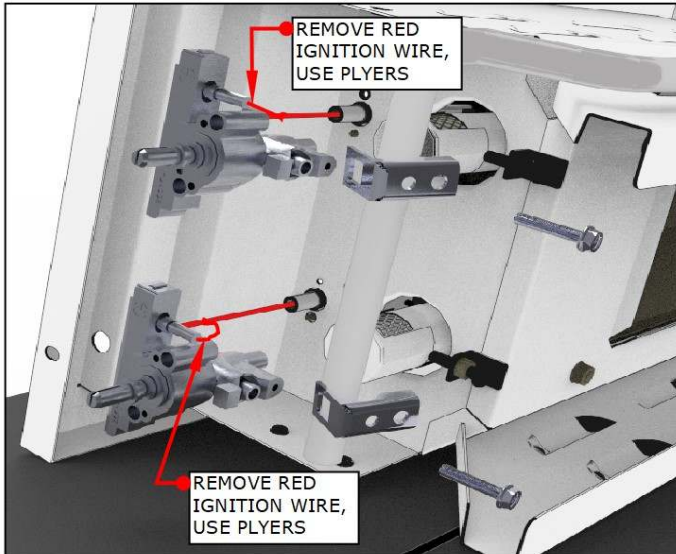
7. USE SCREW DRIVER TO REMOVE THE TWO PANEL SCREWS IN PORT HOLES.



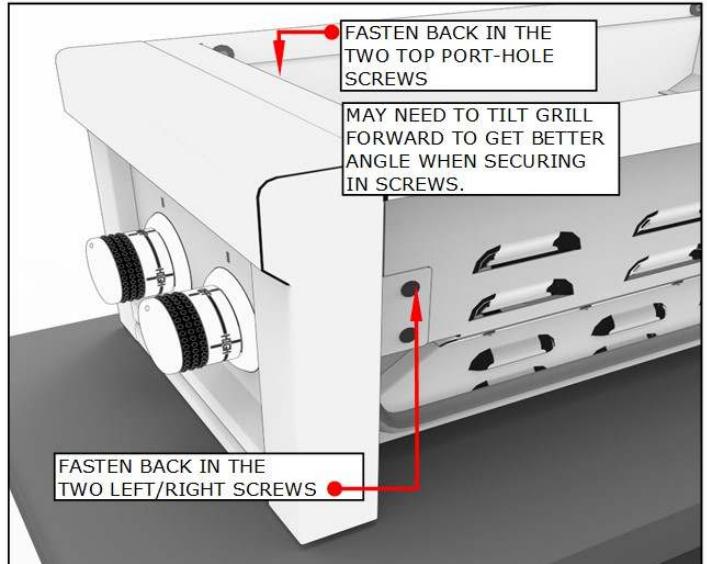
8. SLIDE CONTROL PANEL FORWARD, LEAVING VALVES ATTACHED TO MANIFOLD.



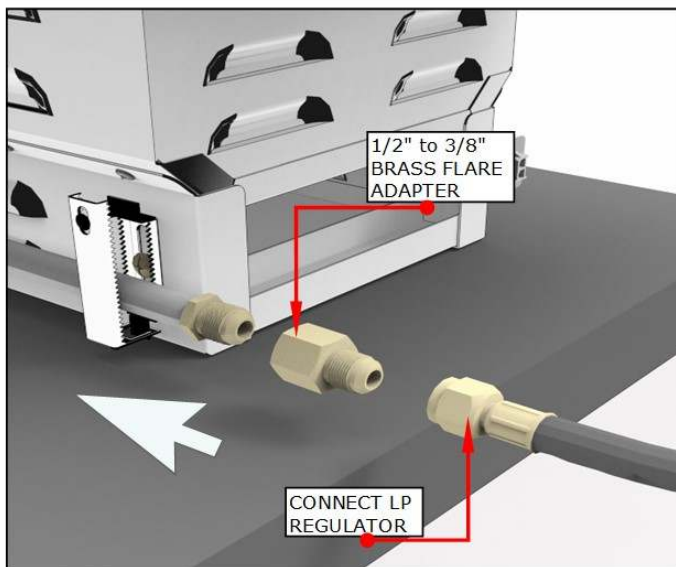
9. ROTATE GRILL ON ITS SIDE, UNSCREW BOTH VALVE BRACKETS, RELEASING VALVES. REPLACE WITH NEW LP VALVES.



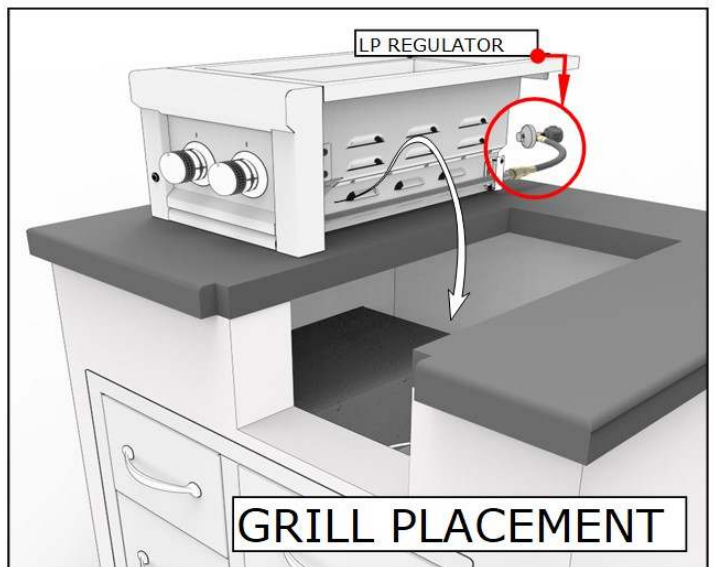
10. ROTATE GRILL BACK, RE-MOUNT CONTROL PANEL AND SECURE KNOBS BACK ONTO VALVES.



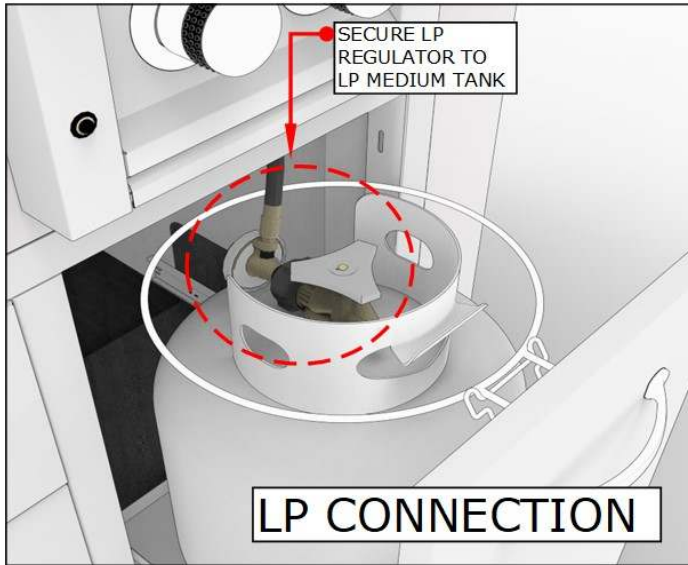
11. INSTALL NEW 1/2" TO 3/8" FLARE REDUCER ADAPTER, NEXT CONNECT LP REGULATOR



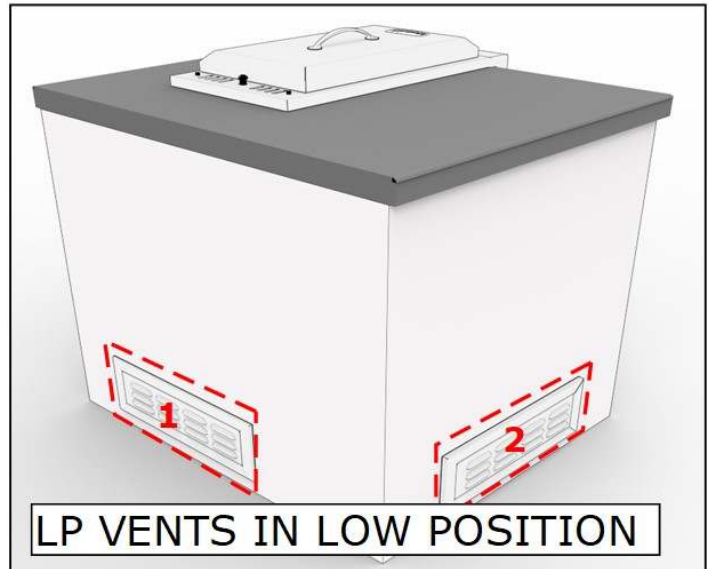
12. PLACE GRILL INTO ISLAND RESTING INTO PLACE KEEPING LP REGULATOR ATTACHED.



13. CONNECT LP REGULATOR TO BOTTOM TANK, OR CONNECT TO HOME CONNECTION.



14. LIQUID PROPANE MUST HAVE MINIMUM TWO VENTS IN LOW POSITIONS NEAR GRILL



LP TO NG GRILL CONVERSION

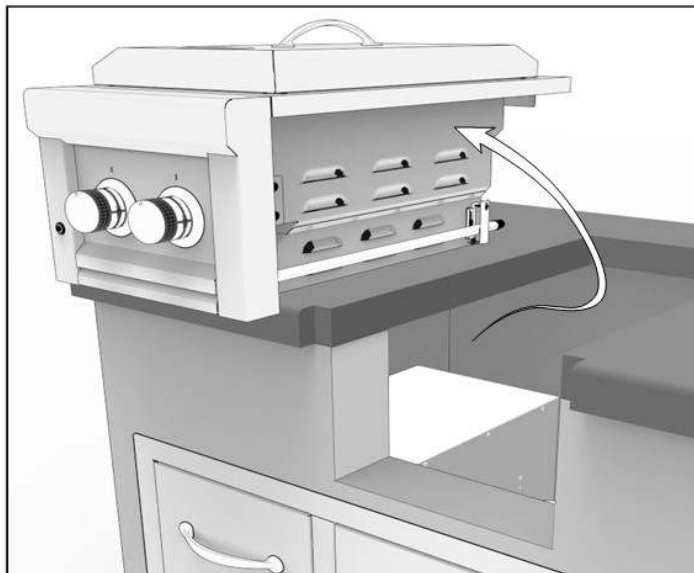
REQUIRED TOOLS

SCREW DRIVER
(RECOMMEND MAGNETIC ONE)
ADJUSTABLE WRENCH
POWER DRILL

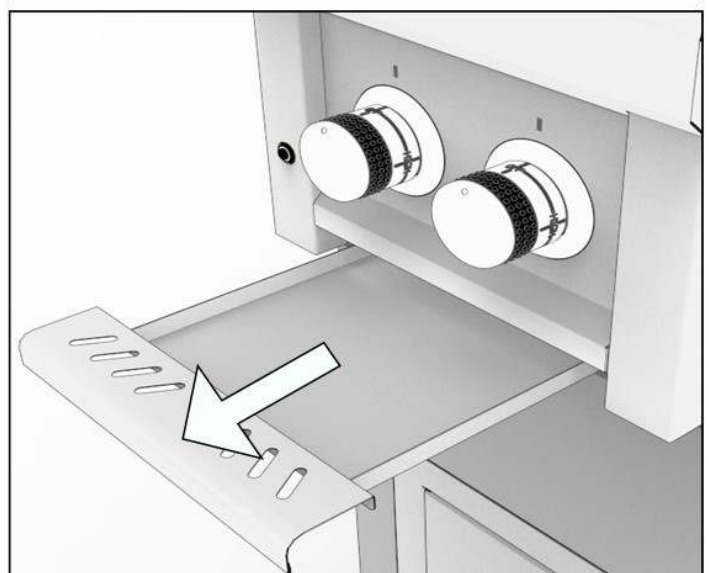
REQUIRED PARTS

NG REGULATOR WITH 3/8" FLARE ADAPTER
#50 DRILL BIT

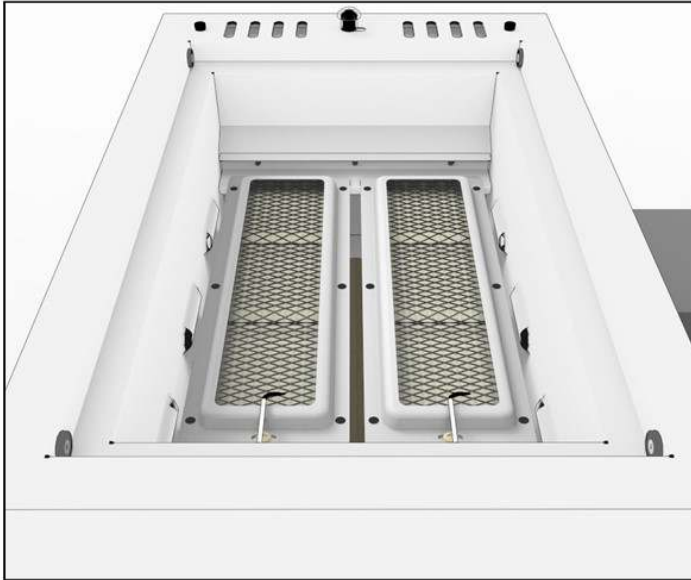
1. REMOVE GRILL FROM ISLAND AND PLACE ON COUNTER TOP.



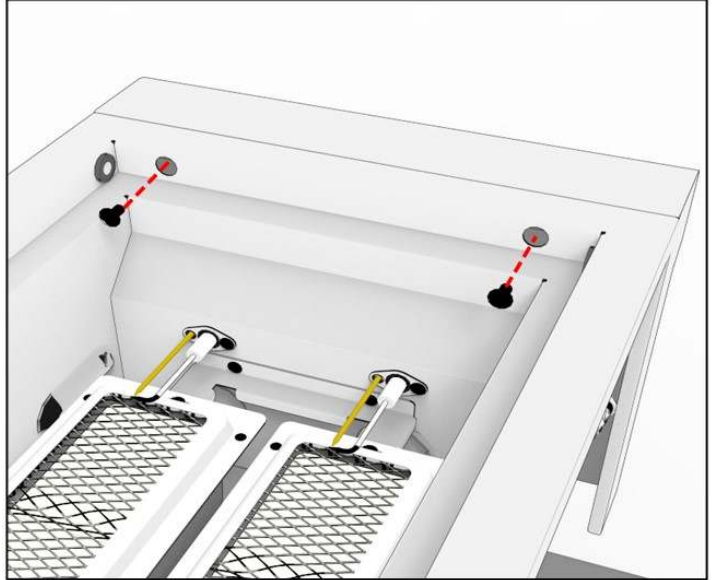
2. COMPLETELY REMOVE DRIP-PAN AND PLACE ON COUNTER



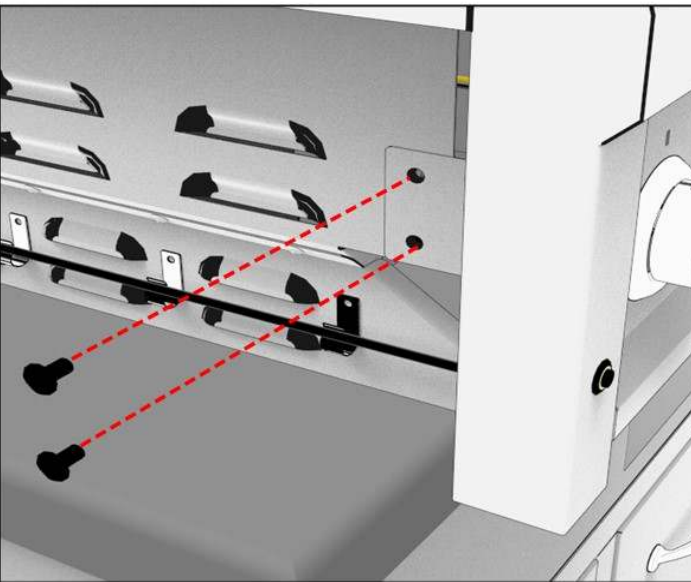
3. REMOVE THE COVER, COOKING GRID AND FLAVORIZER RACK INSIDE GRILL



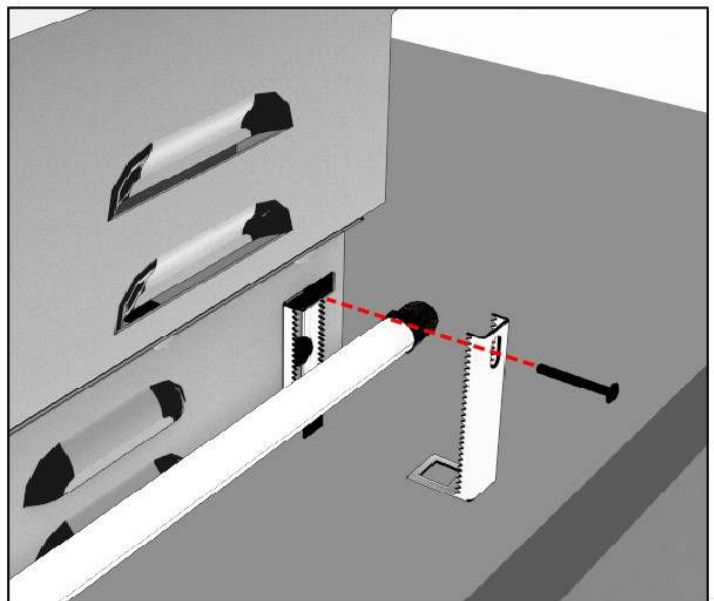
4. USE SCREW DRIVER TO REMOVE THE TWO PANEL SCREWS IN PORT HOLES.



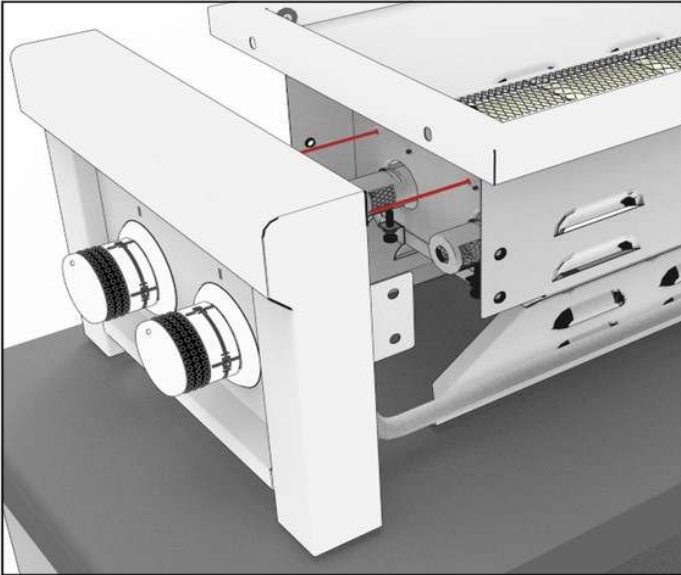
5. REMOVE BOTH LEFT/RIGHT SIDES TWO SCREWS.



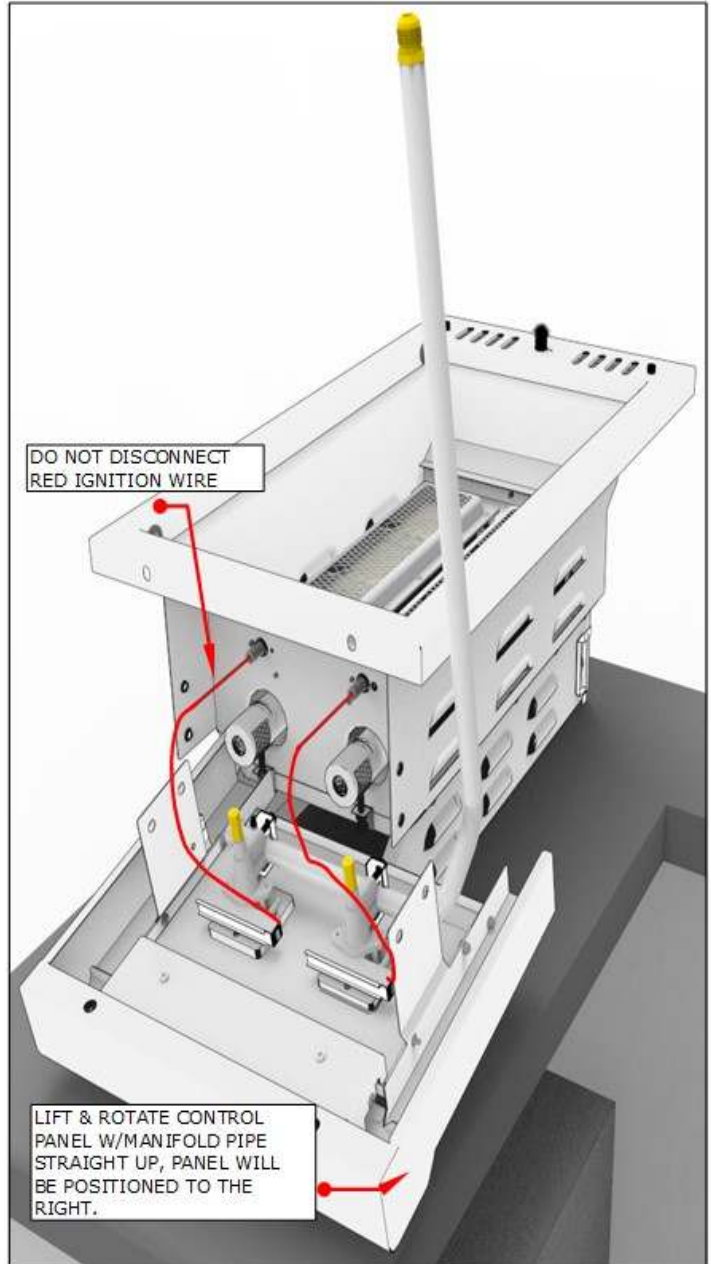
6. REMOVE MANIFOLD PIPE BRACKET LOCATED IN BACK OF GRILL FOR LP TO NG CONVERSION ONLY!



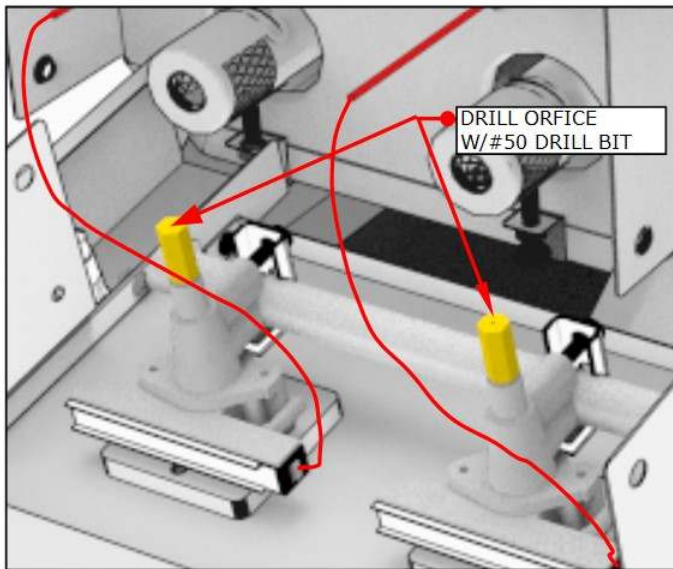
7. SLIDE ENTIRE CONTROL PANEL OUTWARD, DISCONNECT THE TWO ELECTRICAL PLUGS ON LEFT SIDE.



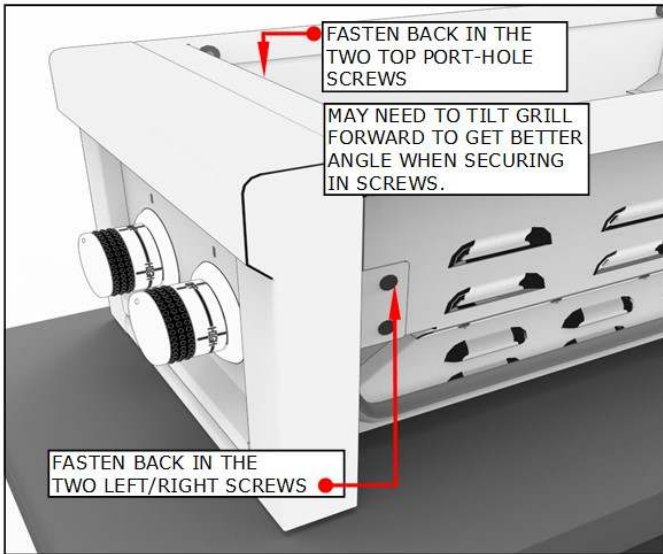
8. ROTATE CONTROL PANEL SO MANIFOLD PIPE IS STRAIGHT UP, KEEPING VALVE WIRES ATTACHED.



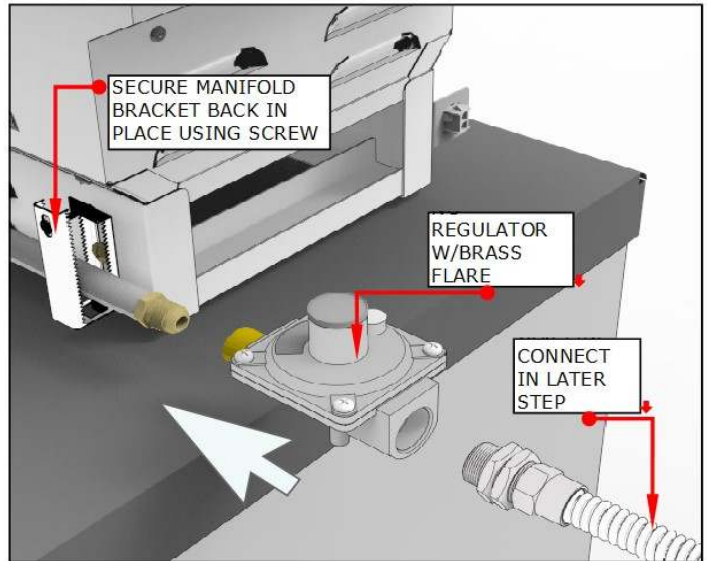
9. DRILL THE TWO ORIFICE HOLES USING #50 DRILL BIT



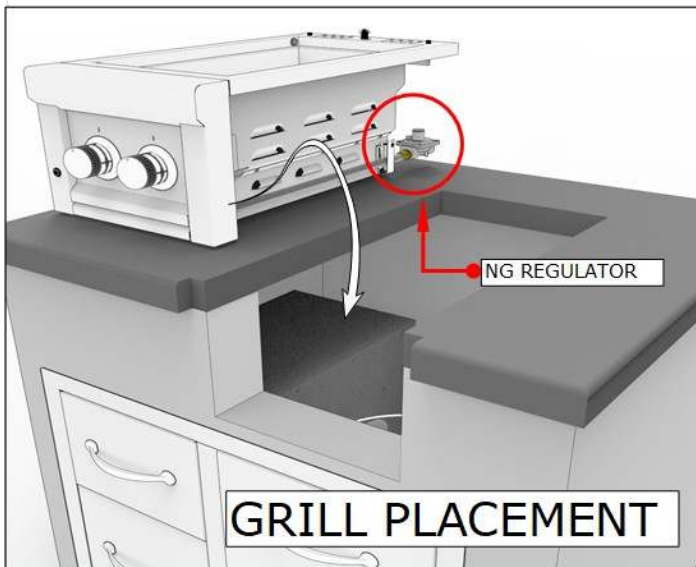
10. LIFT & ROTATE CONTROL PANEL BACK SLIDING MANIFOLD INTO PLACE



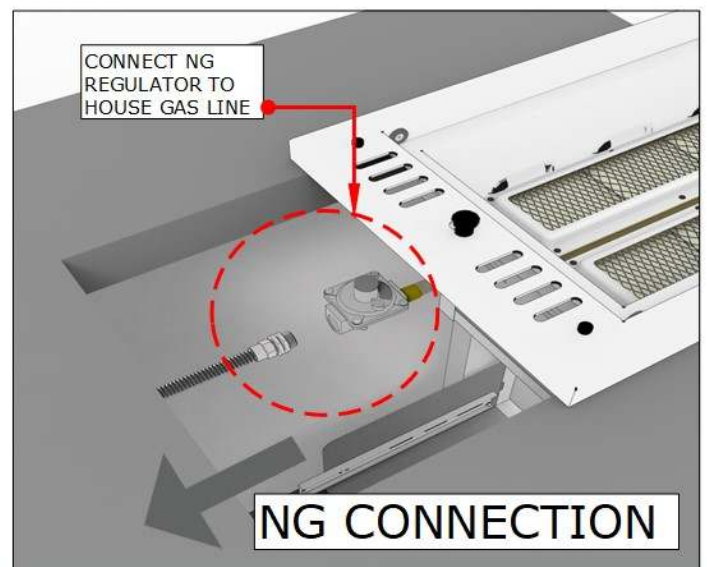
11. INSTALL THE NEW REGULATOR WITH BRASS FLARE ADAPTER.



12. PLACE GRILL INTO ISLAND ALLOWING SPACE IN BACK FOR REGULATOR ACCESS.



13. MAKE FINAL GAS LINE CONNECTION BEFORE SLIDING GRILL IN PLACE.



ATTENTION: All Gas Grill Installations MUST HAVE MINIMUM TWO AIR-FLOW VENTS, either in ELEVATED POSITION for Natural Gas or LOWERED POSITION for Liquid Propane. Your Warranty may be VOID if island does not meet basic setup requirements.



ATTENTION: The Grill must be installed according to the product manual. If your grill installation does not meet the Basic Setup Instructions **ALL WARRANTIES MAY BE VOID.**

SUNSTONE SERIES 13" GAS COMPANION PRO GRILL WARRANTY

*****All Warranties Start from the Date of Purchase*****

LIMITED LIFETIME WARRANTY

Sunstone Stainless Rod Cooking Grid and Stainless-Steel Housings (including liners, frames, firebox and hood and all exterior grill faces) are warranted for as long as you own the Sunstone Barbecue Grill against all factory defects. This warranty does not cover against consumer usage wear and tear from using the grill as all grilling methods will erode the 304 Stainless Steel Materials.

LIMITED LIFETIME WARRANTY WITH ONE YEAR BURNER REPLACEMENT

The Stainless-Steel Gas IR Burner w/Ceramic Plates is warranted for as long as you own the Sunstone Barbecue Grill against all factory defects. In addition, the Burner is covered for the first full year from date of purchase with FREE replacement against all wear and tear. This warranty covers the burner only, it does not cover the cost of a service tech to replace the burner.

LIMITED ONE-YEAR WARRANTY

All other grill components including, thermometer, light assemblies, gas-valves, piezo-igniters, springs, all electrical wire are warranted to be free from defects in material and workmanship for a period of one year from the original date of purchase.

LIMITATIONS & EXCLUSIONS

1. *SUNSTONE warranty applies only to the original purchaser and may not be transferred.*
2. *SUNSTONE warranty is in lieu of all other warranties expressed or implied and all other obligations or liabilities related to the sale or use of its grill products.*
3. *SUNSTONE warranty shall not apply, and SUNSTONE is not responsible for damage resulting from misuse, abuse, alteration of or tampering with the appliance, accident, hostile environment, flare-up fires, improper installation, or installation not in accordance with the instructions contained in the User Manual, or the local codes.*
4. *SUNSTONE is not responsible for warping of component parts due to overheating or using in a way not in line with the product manual.*
5. *SUNSTONE shall not be liable for incidental, consequential, special or contingent damages resulting from its breach of this written warranty or any implied warranty.*
6. *Some states do not allow limitations on how long an implied warranty lasts, or the exclusions of or limitations on Consequential damages. This warranty gives you specific legal rights and you may have other rights, which vary from state to state.*
7. *No one has the authority to add to or vary SUNSTONE warranty, or to create for SUNSTONE any other obligation or liability in connection with the sale or use of its products.*
8. *SUNSTONE DOES NOT COVER FOR WARPING OF STEEL DRAWER, GRATES, OR ANY OTHER COMPONENT FROM THE RESULT OF MISUSE OR OVERHEATING OF COMPONENTS.*

WHAT IS NOT COVERED. & INTERNET PURCHASE DISCLAIMER

SUNSTONE shall not be responsible for and shall not pay for the following Installation or start-up.

1. Service by an unauthorized service provider and the cost of a service tech of any warranted parts.
2. Damage or repair due to service by an unauthorized service provider or use of unauthorized parts.
3. Damage caused by accidents, abuse, alteration, misuse, installation that is not in accordance with the instructions contained in the User Manual, or local codes.
4. To correct normal adjustments or settings, due to improper installation, commissioning or local gas supply properties.
5. Shipping and handling costs, export duties, or installation cost.
6. The cost of service calls to diagnose trouble; or Removal or re-installation cost.

This warranty applies to the original purchaser with invoice or proof of purchase and covers Sunstone products intended for personal, family or household usage only. It does not apply to surface rust, corrosion, oxidation or discoloration, which may occur due to moisture or overheating, unless the affected component becomes inoperable. This warranty does not cover parts becoming defective by misuse, accidental damage, improper handling and/or installation. It does not cover labor or labor related charges. It specifically excludes liability for indirect, incidental or consequential damages. Some states do not allow the exclusion or limitation of incidental or consequential damages, so the above exclusion or limitation may not apply to you. This warranty gives you specified legal rights and you may have other rights which may vary from state to state.