

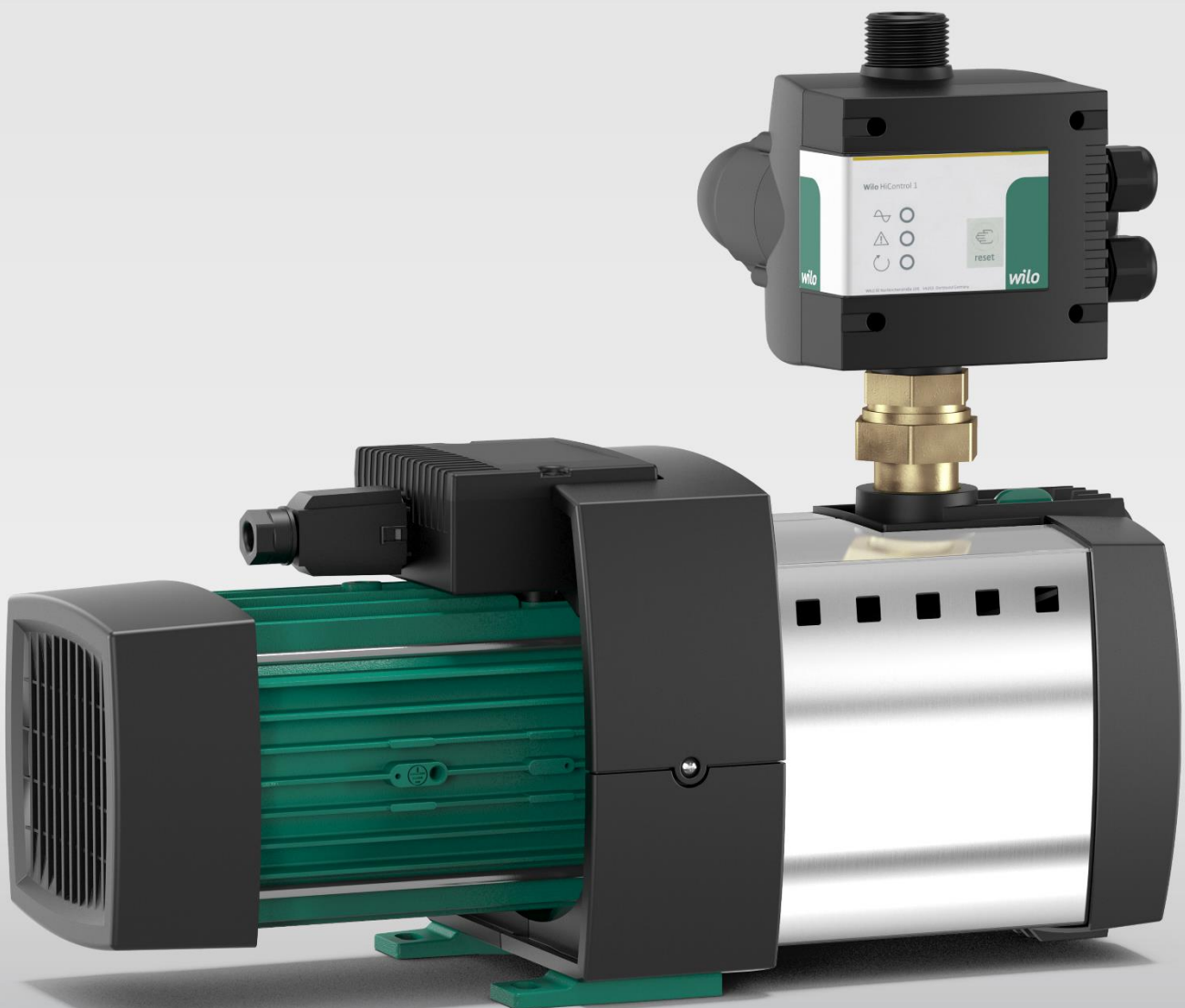
Pioneering for You

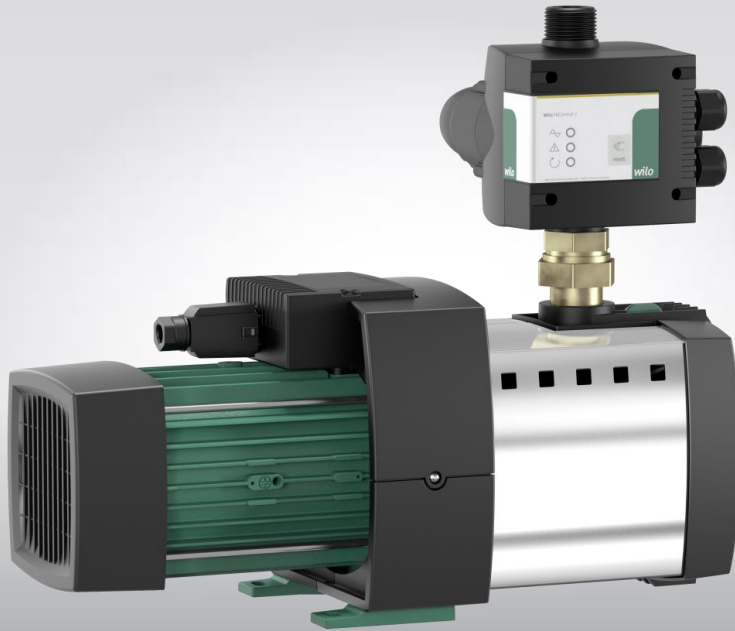
wilo

Wilo Australia –Leaflet range- Edition 2017

Wilo-HiMulti 3 C Series

Automatic horizontal multistage pressure pump





Wilo – HiMulti 3 C – Horizontal multistage centrifugal pump

Application

- Water supply from rainwater tank
- Sprinkling
- Irrigation and spraying
- Rainwater utilisation

Type key

Example : HiMulti 3 C1-24 P

HiMulti	Multistage centrifugal pump
3	Product Level
C1	Version with automatic pump control
2	Nominal volume flow in m ³ /hr
4	Number of impellers
P	Self-priming version

Special features/product advantages

- Simple: Plug & Pump system
- Efficient: Highly efficient hydraulics, low electricity consumption and very compact thanks to motor optimisation
- Automatically operating system and dry-running protection thanks to Wilo-HiControl 1
- Low-noise: Noise level between 56 dB(A) and 64 dB(A)
- 360° rotatable electronic pump control HiControl 1 for easy installation

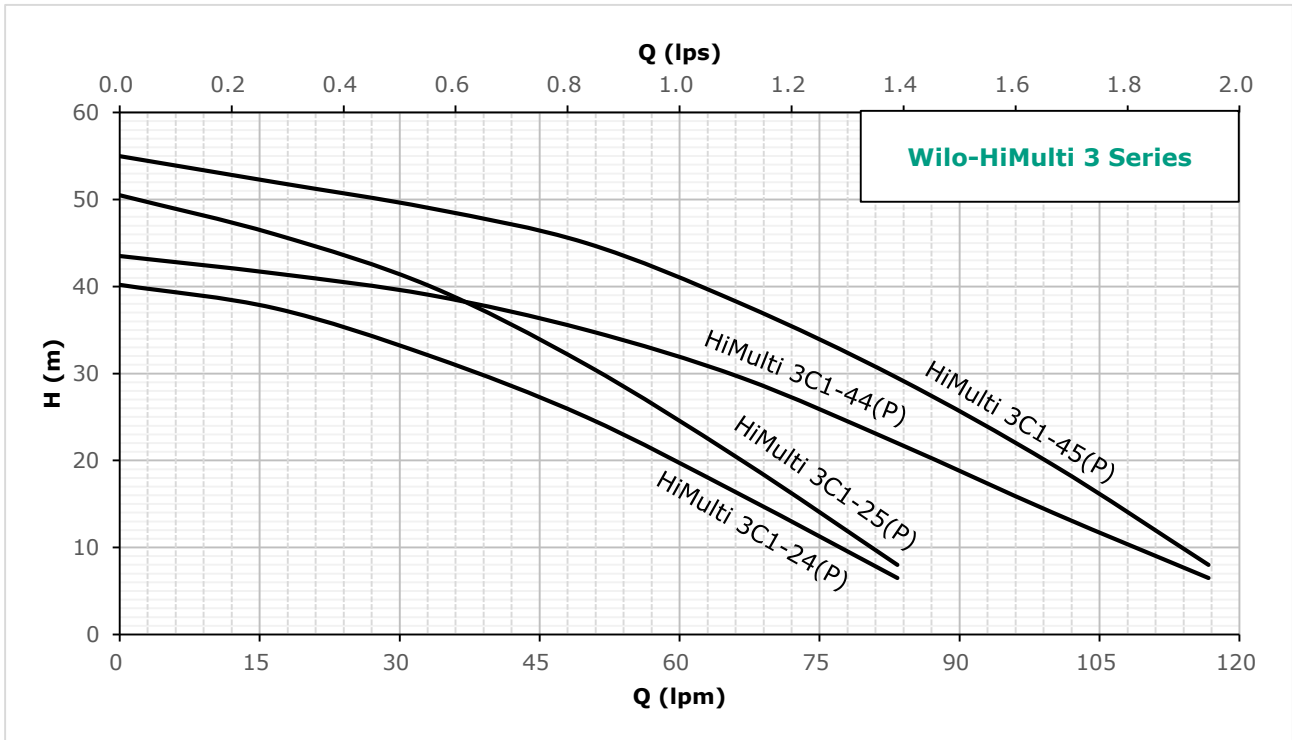
Materials

- | | |
|--------------------|-----------------------------------------------|
| • Pump Housing: | Engineered thermoplastic (Grivory FH1V-4 FWA) |
| • Impellers: | Noryl 30% GF |
| • Stage Chambers: | Noryl 30% GF |
| • Pump Shaft: | AISI 420 Stainless Steel |
| • Mechanical Seal: | Carbon/Ceramic |

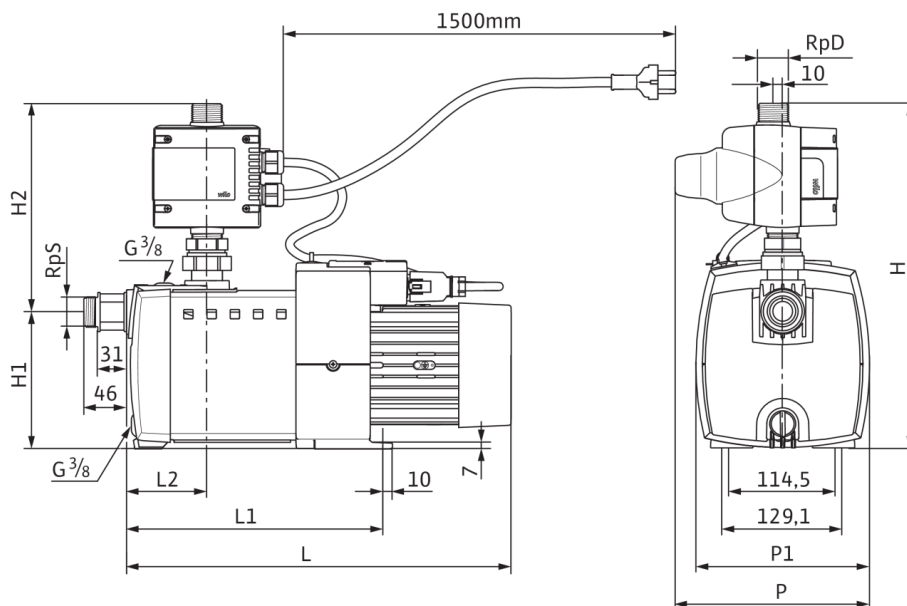
Technical data

- | | |
|-----------------------------|----------------------------------|
| • Mains Connection: | 1~ 240V, 50Hz |
| • Liquid Temperature: | 0~40°C
(+50°C for 10 minutes) |
| • Ambient Temperature: | -15°C to +40°C |
| • Max. Operating Pressure: | 8 Bar |
| • Max. Self-priming: | 8 m |
| • Max. Inlet Pressure: | 3 Bar |
| • Star-up Pressure: | 1.5 Bar |
| • Switch off volume flow: | 95 lph |
| • Protection Class: | IP-54 |
| • Suction Side Connection: | Rp 1" |
| • Pressure Side Connection: | Rp 1" |

Technical data



Model	Rated Power	Weight (kg)	Dimensions mm		
	P ₂ kW	1~ 240V	L	P	H
HiMulti 3 C 1-24 P	0.4	15.5	377	210	370
HiMulti 3 C 1-25 P	0.5	17.6	421	210	370
HiMulti 3 C 1-44 P	0.6	17.3	397	210	370
HiMulti 3 C 1-45 P	0.8	19.2	415	210	370





**Wilo Australia Pty Ltd
2/29 Alexandra Place
Murarrie, Queensland, 4172
Australia**

ABN: 87 150 449 540

**T +61 7 3907 6900
F +61 7 3907 6999**

**Enquiries: sales@wilo.com.au
Orders: orders@wilo.com.au**

www.wilo.com.au