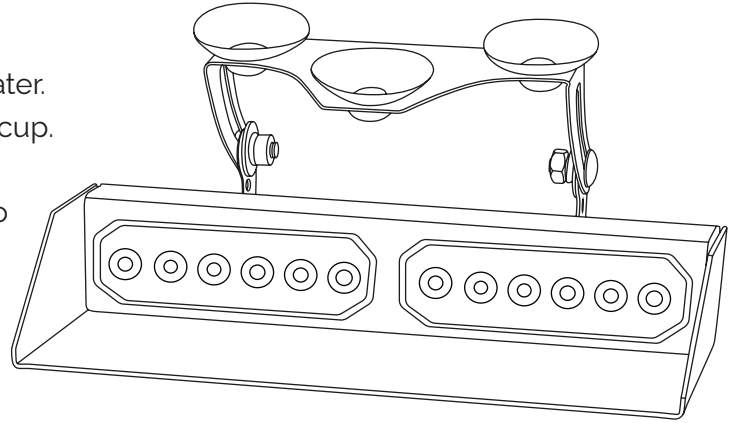




SKU: UBL-UL2-2X

MOUNTING SPECIFICATIONS:

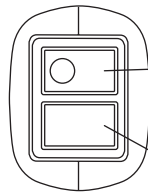
- 1) Clean the suction cups and window with soap and water.
Do not use alcohol as this will deteriorate the suction cup.
- 2) Align the dash light to your desired location.
- 3) Firmly push the suction cups for about 20 seconds to ensure a good stick.



FLASH PATTERNS:

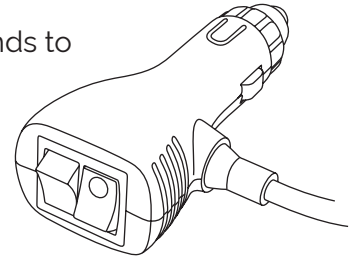
- Random
- Single - Split
- Double - Split
- Quad - Split
- Pulse - Split
- Accelerate - Split
- Quad Burst - Split
- Double Accelerate - Split
- Quad Accelerate - Split
- Single - All
- Double - All
- Quad - All
- Accelerate - All
- Quad Single - All
- Pulse Single - All
- Half Steady - 1
- Half Steady - 2
- Off

CIGARETTE PLUG:



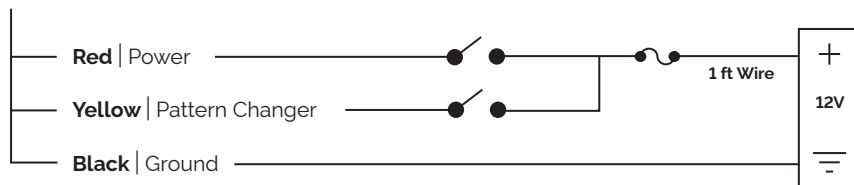
Power: Light will indicate when the light has power and is activated.

Pattern Changer: Hold for 1-2 seconds to change the pattern



WIRING INSTRUCTIONS: (PROFESSIONAL INSTALLATION RECOMMENDED)

- 1) To power the unit, extend the red (+) wire to a 12V+ post. Extend the black (-) wire to the ground post of the vehicle's battery.
- 2) Wire in a 12V switch or controller. Include a 3 AMP fuse within 12" of your power source to protect your circuit.



KEY LEGEND	
	Switch
	Fuse
	Ground

 **WARNING** 

- Do not install this product or route any wires in the deployment area of your airbag. Equipment that is mounted or located in the airbag deployment area can reduce or damage the effectiveness of the airbag, or become a projectile that can cause serious personal injury or death. Refer to your vehicle owner's manual for more information about the airbag deployment area. The User/Installer assumes full responsibility for determining a proper mounting location that provides ultimate safety to all passengers inside the vehicle.
- Do not attempt to activate or control this device in hazardous driving conditions.
- Nighttime operation of lighting products may produce reflected light within the vehicle, rendering it difficult to see. Use with caution.
- These are high intensity lights. Please allow adequate distance before looking directly into them.

IMPORTANT!

Before returning this vehicle to active service, visually confirm the proper operation of this product, as well as all vehicle components/equipment.

WARRANTY INFORMATION

- ⚡ UBL Electronics warrants that all "ilumex" series LED lights are free from defects in materials and workmanship for five (5) years from the time of purchase, all "U-Lite" series LED lights are free from defects in materials and workmanship for two (2) years from the time of purchase, and all UBL sirens and speakers are free from defects in materials and workmanship for one (1) year from the time of purchase. During the warranty period we will, at our sole discretion, repair or replace the product. This limited warranty does not cover labor charges for the removal and installation of the product.
- ⚡ UBL Electronics is not responsible for incidental damages, including but not limited to: loss of time, loss of work, inconvenience, loss and/or damage to personal property, and shipping expenses.
- ⚡ Use of incorrect electrical power (other than that specified by the manufacturer), use of inappropriate or inadequate wiring, improper circuit protection or alterations to the product may void the warranty.

THIS WARRANTY IS SUBJECT TO CHANGE WITHOUT NOTICE.