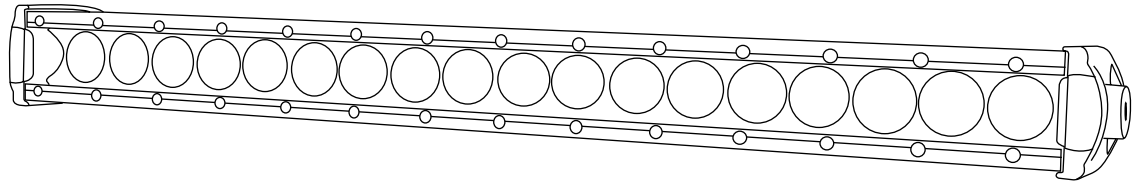




SKU: UBL-CF-2120



MOUNTING SPECIFICATIONS:

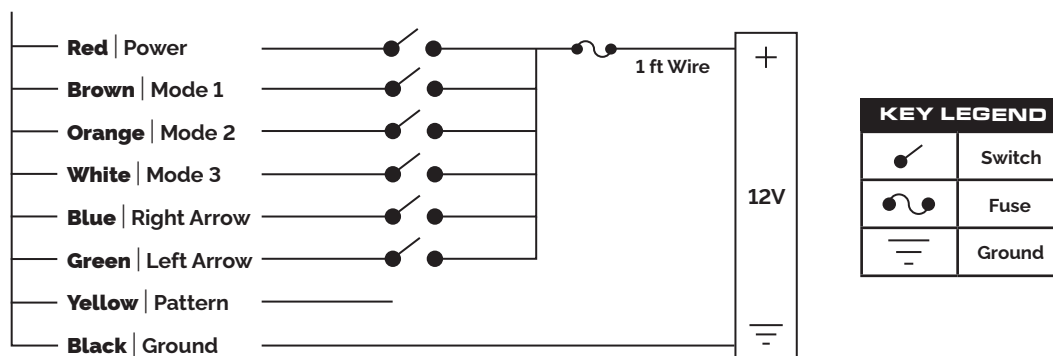
- 1) Attach the provided mounting hardware to both ends of the light bar.
- 2) Confirm placement of light bar on mounting surface and mark drill holes based on the brackets.
- 3) Drill the two holes marked in step 2.
- 4) Secure the light bar to the mounting surface.
- 5) Route the wires away from any sharp edges and follow the wiring instructions below.

WIRING INSTRUCTIONS: (PROFESSIONAL INSTALLATION RECOMMENDED)

- 1) To power the unit, extend the red (+) wire to a 12V+ post. Extend the black (-) wire to the ground post of the vehicle's battery.
- 2) Left and right arrow are based upon the wiring exiting on the left side. Ex. The blue wire means the arrow starts from the cable side and the green wire means the arrow starts on the non-cable side.
- 3) To activate the center out function, connect the blue and green wires together.

Note: Mode 3 overrides Mode 2 and Mode 2 overrides Mode 1.

IMPORTANT: The inline fuse is removable but needs to be replaced if removed, with the same or a similar fuse.



PATTERN CHANGING INSTRUCTIONS:

Change Pattern: Touch yellow wire to +12V

Change Color: Touch yellow wire to +12V rapidly three times

Color Steady On: Touch yellow wire to +12V for two seconds. Repeat for Color 2

 **WARNING** 

- Do not install this product or route any wires in the deployment area of your airbag. Equipment that is mounted or located in the airbag deployment area can reduce or damage the effectiveness of the airbag, or become a projectile that can cause serious personal injury or death. Refer to your vehicle owner's manual for more information about the airbag deployment area. The User/Installer assumes full responsibility for determining a proper mounting location that provides ultimate safety to all passengers inside the vehicle.
- Do not attempt to activate or control this device in hazardous driving conditions.
- Nighttime operation of lighting products may produce reflected light within the vehicle, rendering it difficult to see. Use with caution.
- These are high intensity lights. Please allow adequate distance before looking directly into them.

IMPORTANT!

Before returning this vehicle to active service, visually confirm the proper operation of this product, as well as all vehicle components/equipment.

WARRANTY INFORMATION

- ⚡ UBL Electronics warrants that all "ilumex" series LED lights are free from defects in materials and workmanship for five (5) years from the time of purchase, all other LED lights are free from defects in materials and workmanship for two (2) years from the time of purchase, and all UBL sirens and speakers are free from defects in materials and workmanship for one (1) year from the time of purchase. During the warranty period we will, at our sole discretion, repair or replace the product. This limited warranty does not cover labor charges for the removal and installation of the product.
- ⚡ UBL Electronics is not responsible for incidental damages, including but not limited to: loss of time, loss of work, inconvenience, loss and/or damage to personal property, and shipping expenses.
- ⚡ Use of incorrect electrical power (other than that specified by the manufacturer), use of inappropriate or inadequate wiring, improper circuit protection or alterations to the product may void the warranty.

THIS WARRANTY IS SUBJECT TO CHANGE WITHOUT NOTICE.