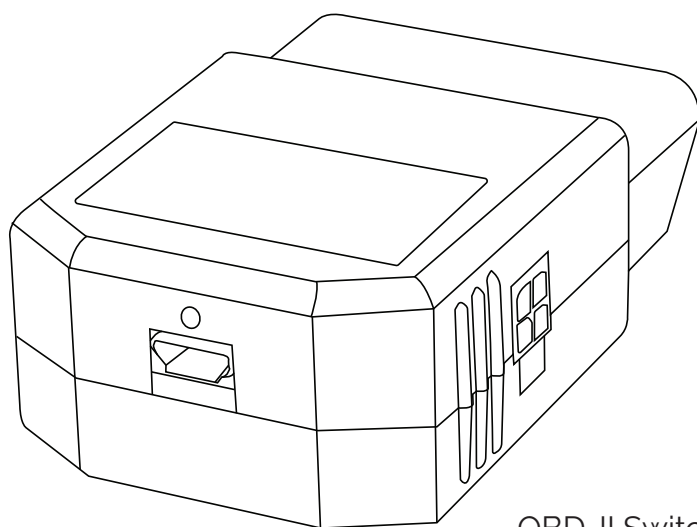


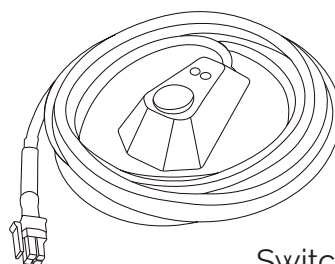
OBD-II SWITCH • DODGE | JEEP | RAM | CHRYSLER



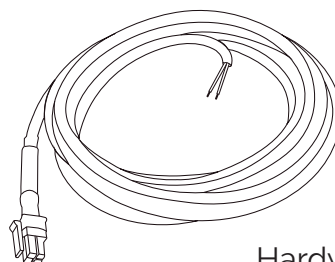
USER MANUAL



OBD-II Switch

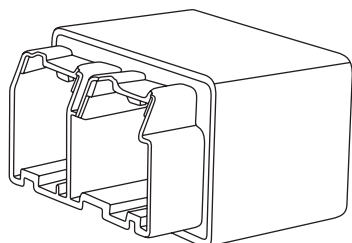


Switch

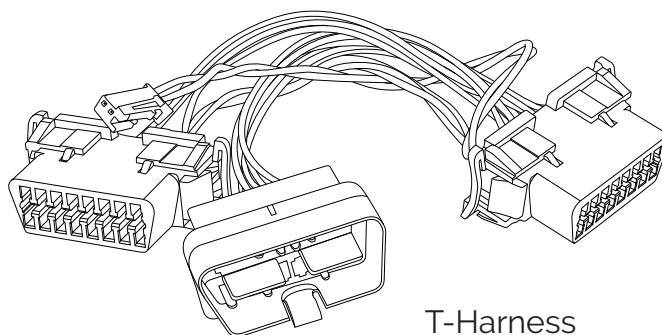


Hardwire

Required Accessories for Select Vehicles:



Gateway Bypass Module



T-Harness

START HERE

Congrats on purchasing your Z-Flash! Your Z-Flash is ready to start flashing your factory lights right out of the box. Follow the steps below to get started:

1. If your vehicle is listed on the chart below, it means you need to install the included security bypass module or t-harness. This should be installed before you install your Z-Flash. Check the respective page for installation instructions. Once complete, proceed to step 2. If your vehicle is not listed, proceed to step 2.
2. Plug the switch or hardwire into the 2x2 port on the side of your Z-Flash module. Then plug the Z-Flash into the OBD-II port. See page 2 for further instructions.
3. Test out your module! If you want to change or edit any of the patterns, use the provided USB cable and plug your Z-Flash into your Windows computer. Visit TheZFlash.com for full instructions and video tutorials on how to edit or create your own patterns.

These vehicles require an additional security bypass module:

2018-2021	Jeep Grand Cherokee	Page 3
2018-2021	Dodge Durango	Page 3
2019-2021	Ram 1500	Page 3
2018-2021	Dodge Charger	Page 3
2018-2021	Jeep Wrangler JL	Page 3
2018-2021	Chrysler 300	Page 3
2020-2021	Jeep Gladiator	Page 3
2018-2021	Chrysler Pacifica	Page 4
2018	Ram 1500	Page 5
2019-2021	Ram 1500 Classic	Page 5
2018-2021	Ram 2500-5500	Page 5
2018-2021	Dodge Challenger	Page 6

Warranty:

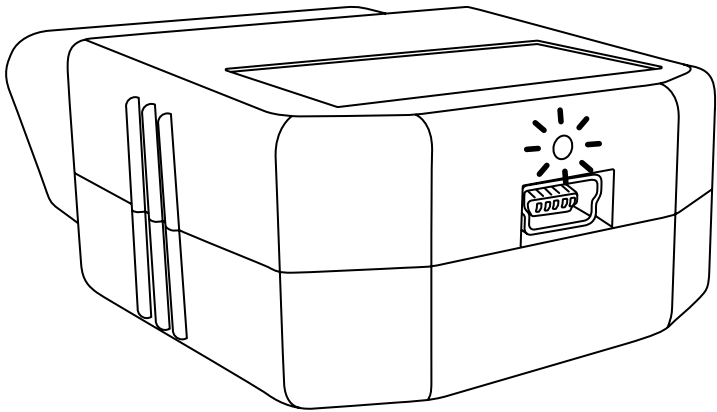
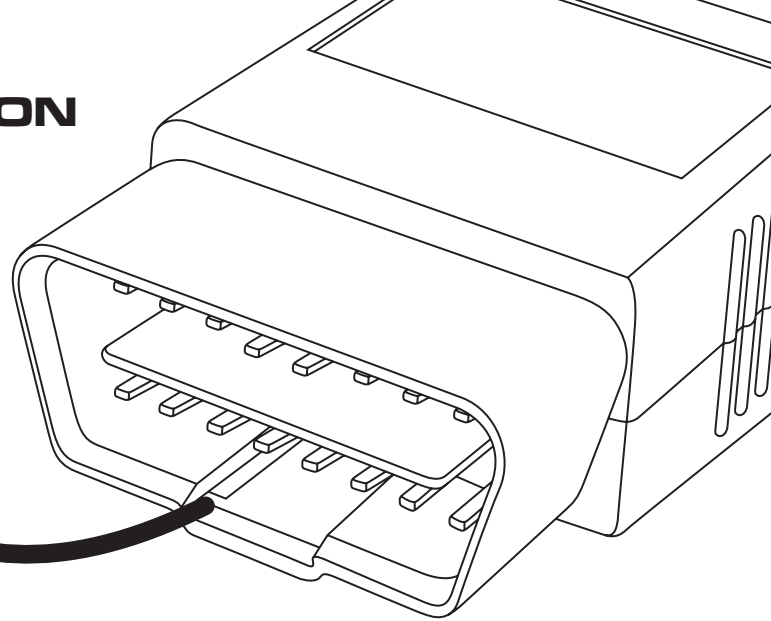
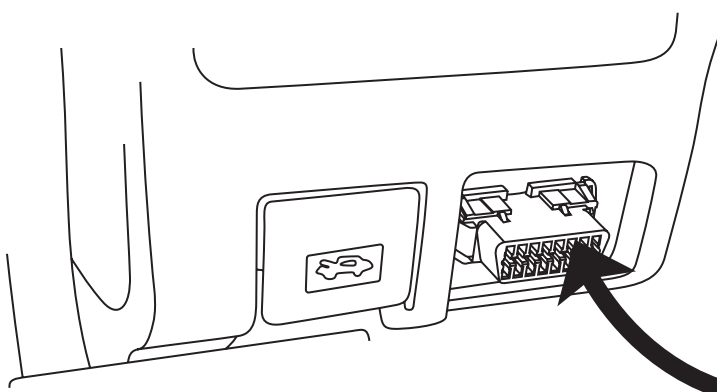
This warranty protects the product(s) specified to be free from defects in material and workmanship for 1 (one) year. During the warranty period we will, at our sole discretion, repair or replace the product(s). This limited warranty does not cover travel expense or labor charges for the removal and reinstallation of the product, or any other charges alike. We are not responsible for incidental damages, including but not limited to: loss of time, loss of work, inconvenience, loss and/or damage to personal property, shipping expenses. We are in no way responsible for any loss or any indirect or consequential damages resulting from any such defect in material and/or workmanship whether it's due to negligence, incorrect installation, or manufacturer mistake. It is the sole responsibility of the party initiating a warranty claim to pay shipping charges associated with returning a product.

Warning:

- If you do not know what you are doing, do not try.
- We advise professional installation for all products.
- Electrical shock can cause injury or death. Please use proper tools and protection when installing. Professional installation is strongly advised.
- Please check for correct installation method before powering on. Electrical fire can occur.
- Do not run any wires in the way of air bags or other safety devices.



OBD-II MODULE INSTALLATION



1. Connect the module into the vehicle's OBD-II port. The OBD-II port is located under the dashboard on the driver's side.
2. Start your vehicle.
3. The module will begin to boot and the LED will flash for five seconds.
4. When the module is ready to use the green LED will flash for 5 seconds and then turn off.
5. If you need to disconnect the module and plug it back in, you will need to follow the boot sequence again. Make sure the module is turned off before removing it.

Using your module with the Switch:

1. Connect the 2x2 plug on the switch into the port on the side of your Z-Flash module.
2. Clean the surface where you want to stick the switch with alcohol and wait for it to dry completely.
3. Remove the paper backing and stick the switch. Careful! You only have one attempt to get the switch to stick. Remember to apply light pressure ensuring the entire switch mounting pad is making contact with the mounting area.
4. Press and hold the button on the switch for one second to activate the module. The light will change from red to green to indicate the Z-Flash is activated.
5. To change the pattern, press and hold the button for 5 seconds. Below is a full chart on how to use the switch.

LED Indicator Light	Button Operation
Red LED = module off	One second press = on/off
Green LED = module on	Five second press = pattern change
Green LED blinking then pause = indicates pattern number	

Using your module with the Hardwire:

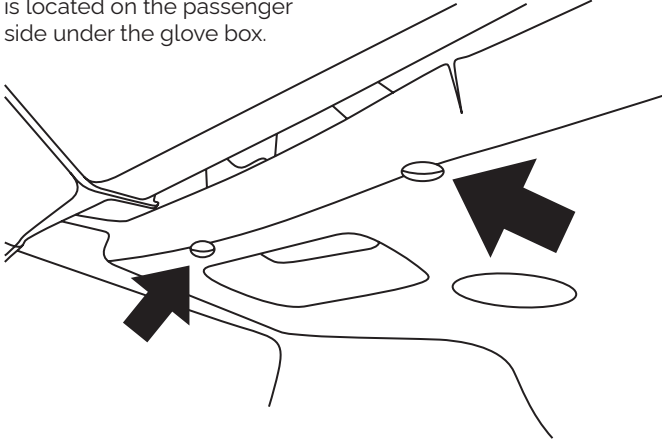
1. Connect the 2x2 plug on the switch into the port on the side of your Z-Flash module.
2. Set your flash pattern for each mode using the Z-Flash software available at TheZFlash.com.
3. Follow the chart below to connect modes 1, 2, and/or 3 to +12V.

Wire Color	Mode
Blue	Mode 1
Yellow	Mode 2
Blue and Yellow	Mode 3

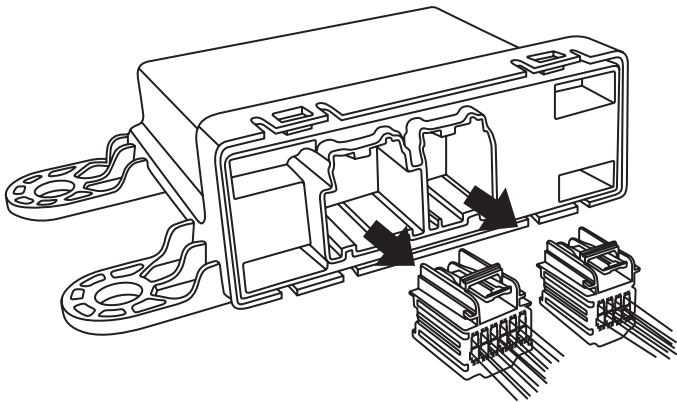
GATEWAY MODULE INSTALLATION

**2018-2021 Jeep Grand Cherokee
2018-2021 Durango**

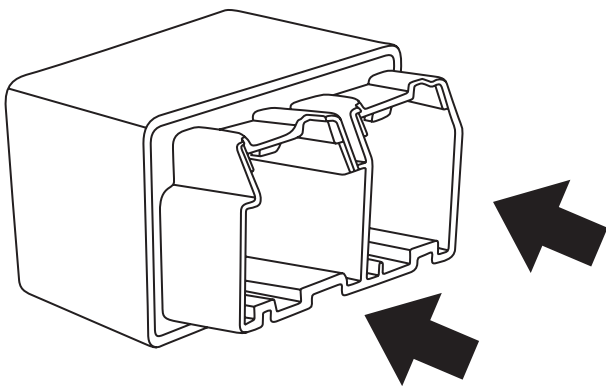
The security gateway module is located on the passenger side under the glove box.



1. Remove the push pins holding the passenger side carpet silencer panel in place.



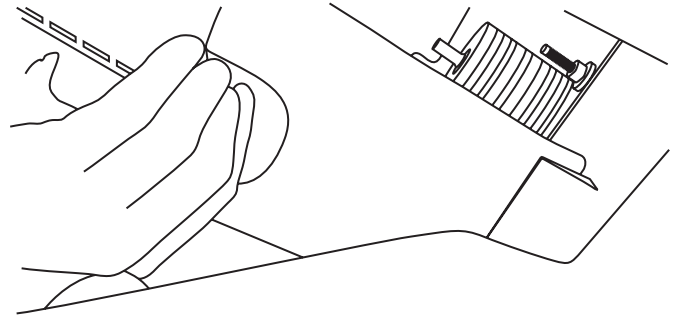
2. Remove both connectors plugged into security gateway module.



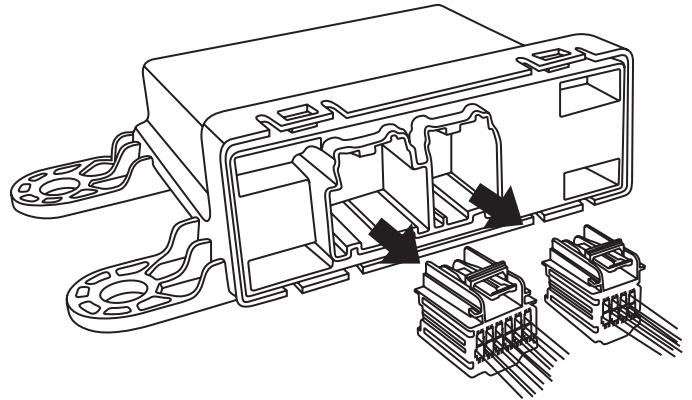
3. Remove the two plugs in the security module and reconnect to the bypass module.

***You must remove the Z-Flash Bypass Module and reconnect the Chrysler Security Module when servicing your vehicle to ensure the dealer tool will operate.**

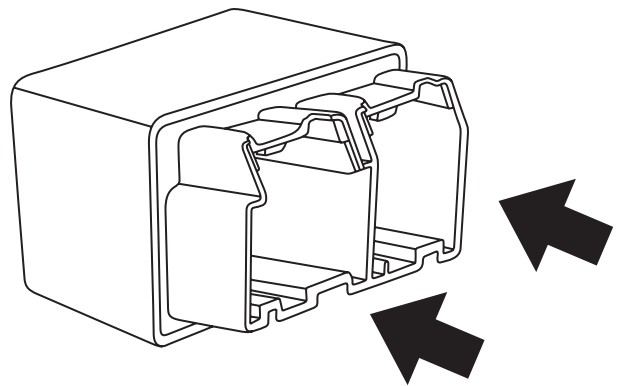
**2019-2021 Ram 1500
2018-2021 Charger
2018-2021 Wrangler JL
2018-2021 300
2020-2021 Jeep Gladiator**



1. Remove the panel to access under the dash.



2. You can remove the 3 screws and remove the entire module. Or reach your hand behind and remove the plugs from the module.



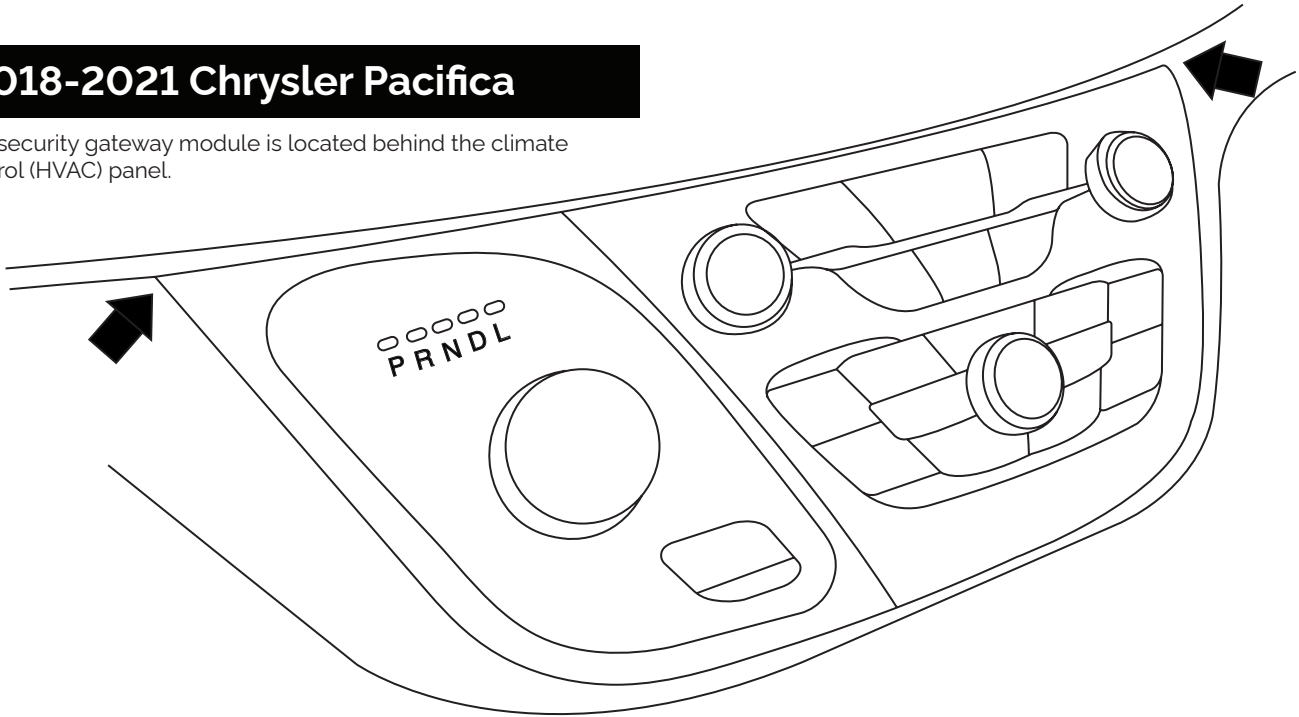
3. Remove the two plugs in the security module and reconnect to the bypass module.

***You must remove the Z-Flash Bypass Module and reconnect the Chrysler Security Module when servicing your vehicle to ensure the dealer tool will operate.**

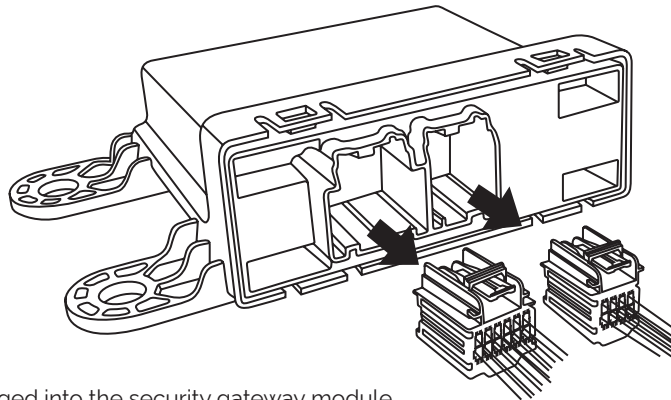
GATEWAY MODULE INSTALLATION

2018-2021 Chrysler Pacifica

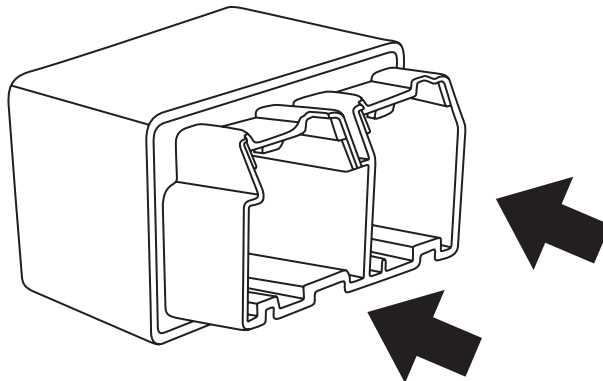
The security gateway module is located behind the climate control (HVAC) panel.



1. To remove the climate control bezel, pull toward the rear of the vehicle. Use a small screwdriver or a flat piece of plastic wrapped in cloth to assist with removal. Start at the top corners and work your way down.



2. Remove the two connectors plugged into the security gateway module.



3. Remove the two plugs in the security module and reconnect to the bypass module.

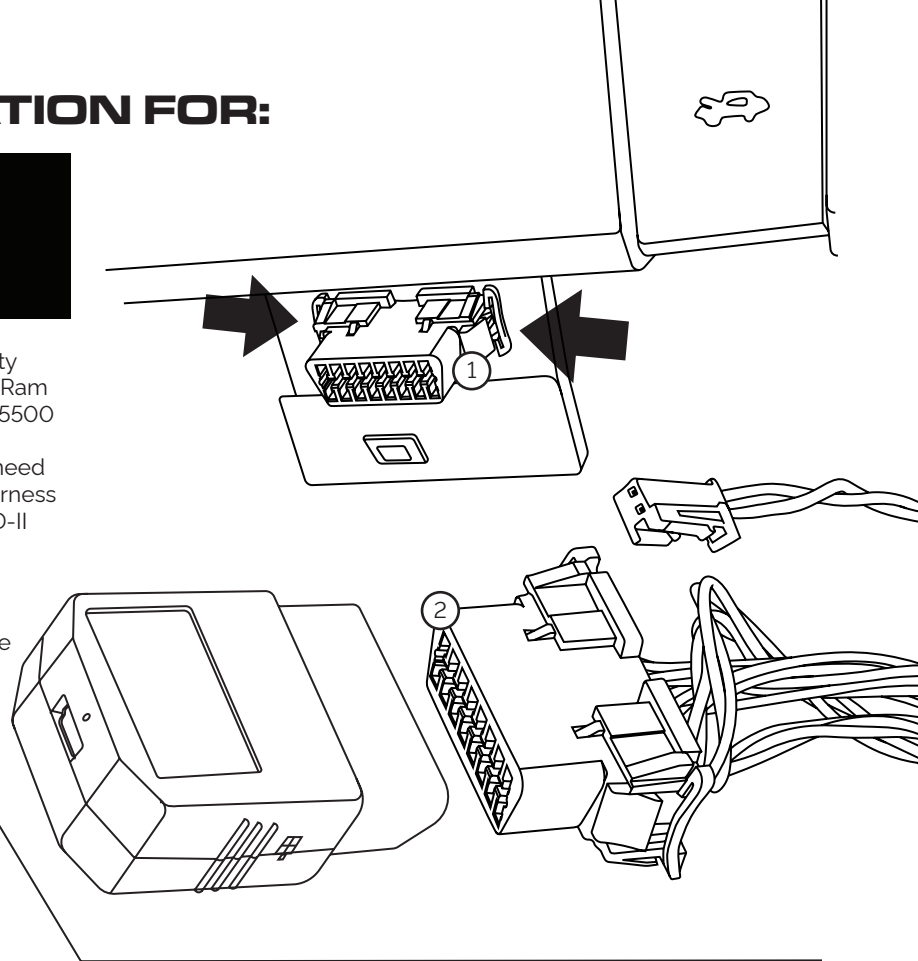
***You must remove the Z-Flash Bypass Module and reconnect the Chrysler Security Module when servicing your vehicle to ensure the dealer tool will operate.**

T-HARNESS INSTALLATION FOR:

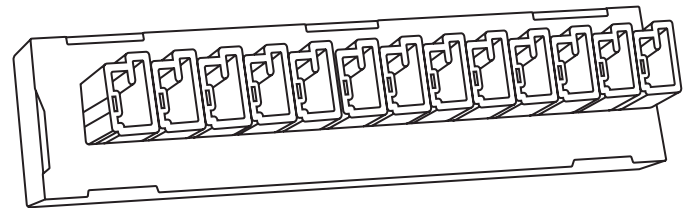
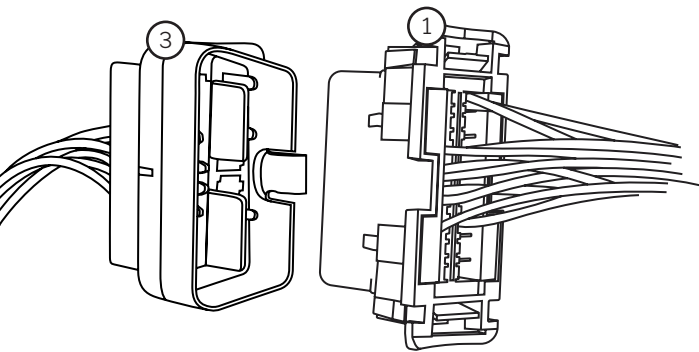
2018 Ram 1500
2019-2021 Ram 1500 Classic
2018-2021 Ram 2500-5500

This harness prevents you from having to access the security gateway and install a Gateway Bypass Module on the 2018 Ram 1500, 2019-2020 Ram 1500 Classic and 2018-2020 2500-5500 Rams. Once your T-Harness is installed you will not need a Z-Flash Gateway Bypass Module. The T-Harness does not need to be removed when getting the vehicle serviced. The T-Harness also acts as a splitter and leaves room for an additional OBD-II device to be connected to the vehicle.

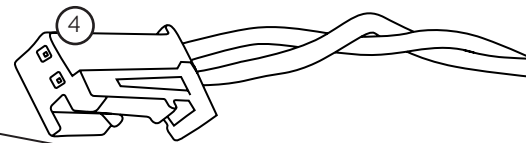
1. Using the two clips on the side of the OBD-II port, squeeze and push the port forward to push it out of the holder.
2. Connect the Z-Flash to the T-Harness OBD-II port where the green and white plugs exit from.
3. Connect the female end of the T-Harness into the vehicles OBD-II port that you removed in step 1.



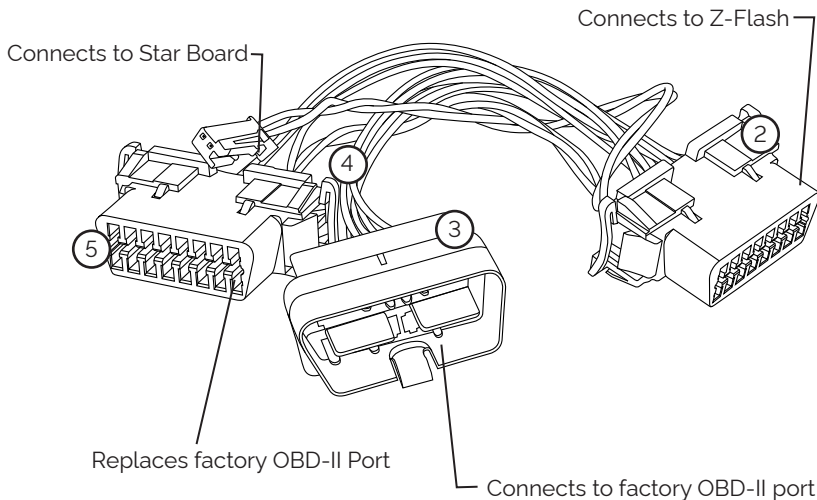
4. Connect the white plug from the T-Harness into the green Star Board located up and under the driver's side dashboard near the OBD-II port. If you have multiple green Star Boards then you will need to use the one with the white plugs and yellow wires. You can use any open port.



5. The last OBD-II plug on the T-Harness can be put back into the vehicle's OBD-II holder where you removed the OBD-II port from in step 1.

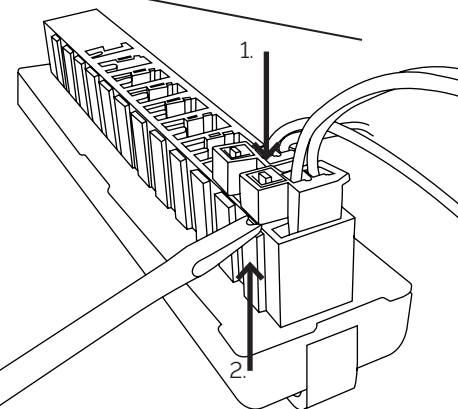


Quick Reference Guide



To Remove T-Harness from Star Board:

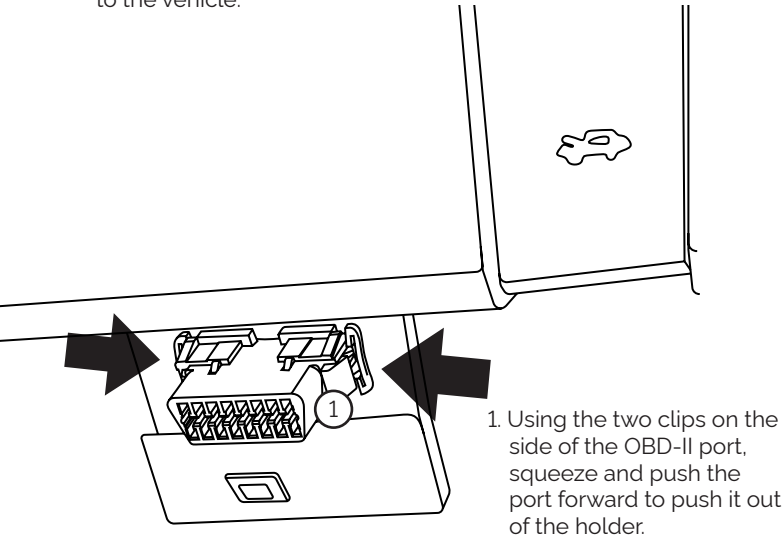
Press the tab inside of the white plug from the T-Harness and carefully pull out of the green Star Board. You may need to use a small screwdriver to press the tab or pull the plug out of the Star Board.



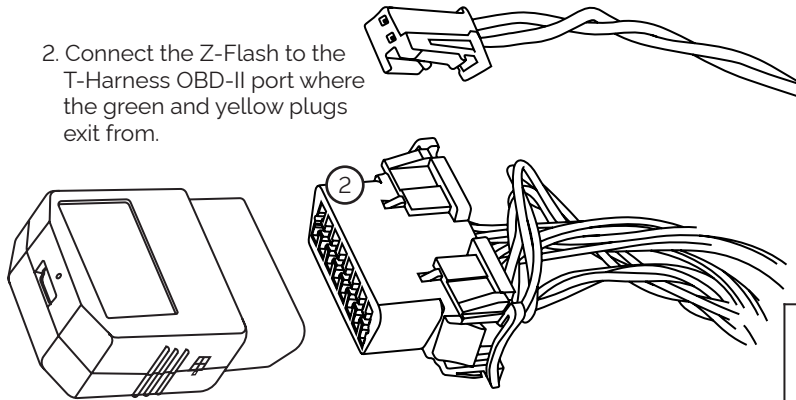
T-HARNESS INSTALLATION FOR:

2018-2021 Dodge Challenger

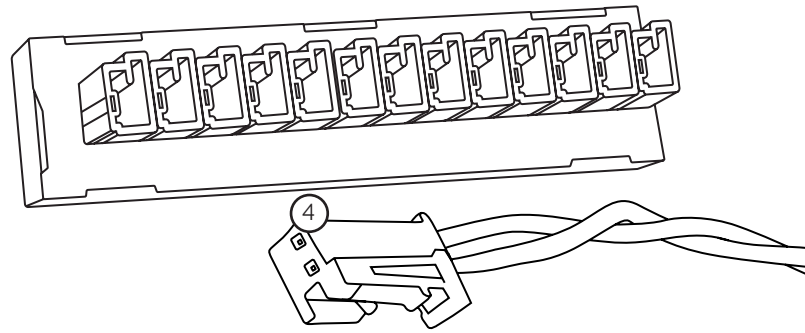
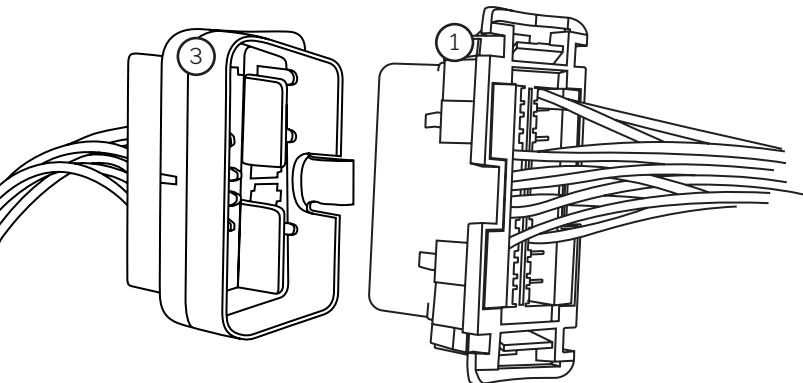
The Z-Flash T-Harness will work with 2018-2020 Dodge Challenger. This harness prevents you from having to access the security gateway and install a Gateway Bypass Module. Once your T-Harness is installed you will not need a Z-Flash Gateway Bypass Module. The T-Harness does not need to be removed when getting the vehicle serviced. The T-Harness also acts as a splitter and leaves room for an additional OBD-II device to be connected to the vehicle.



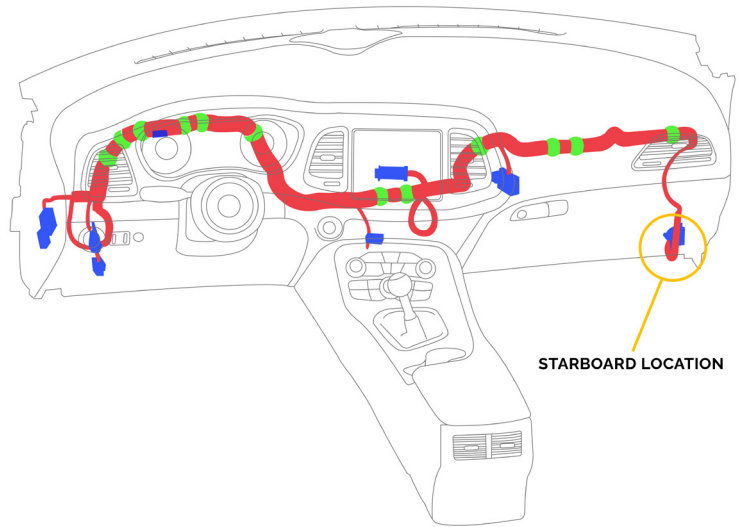
2. Connect the Z-Flash to the T-Harness OBD-II port where the green and yellow plugs exit from.



3. Connect the female end of the T-Harness into the vehicle's OBD-II port that you removed in step 1.



4. Connect the white plug from the T-Harness into the green Star Board. For the 2018-2020 Dodge Challengers the Star Board is located on the passenger's side to the right of the glove box. If you have multiple green Star Boards then you will need to use the one with the white plugs and yellow wires. You can use any open port.



5. The last OBD-II plug on the T-harness can be put back into the vehicle's OBD-II holder where you removed the OBD-II port from in step 1.

Quick Reference Guide

