



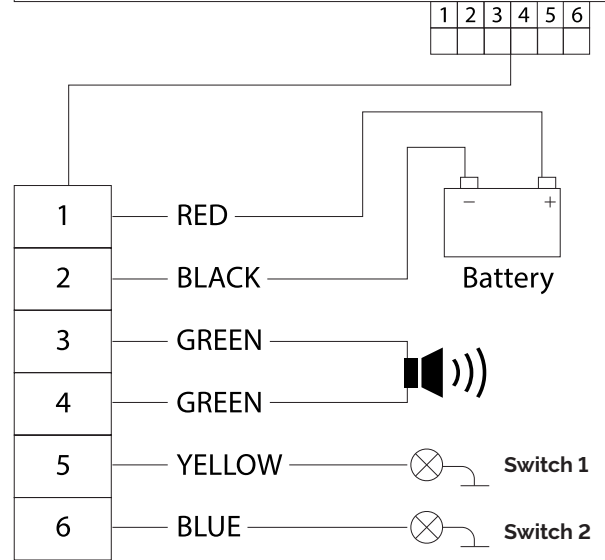
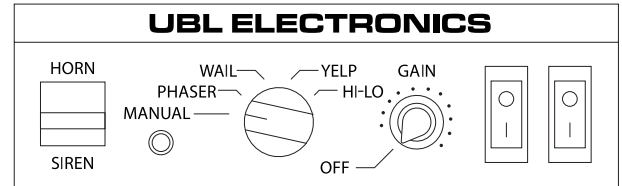
SKU: UBL-SPA3

ASSEMBLY

⚡ Attach U-bracket to siren housing using included bolts. If you are mounting the siren in a console, you will not need the U-bracket.

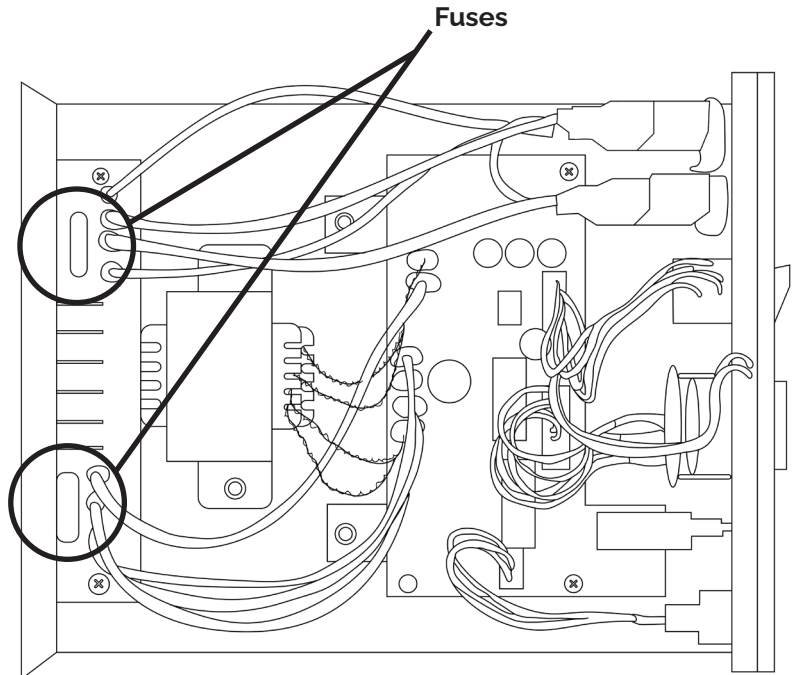
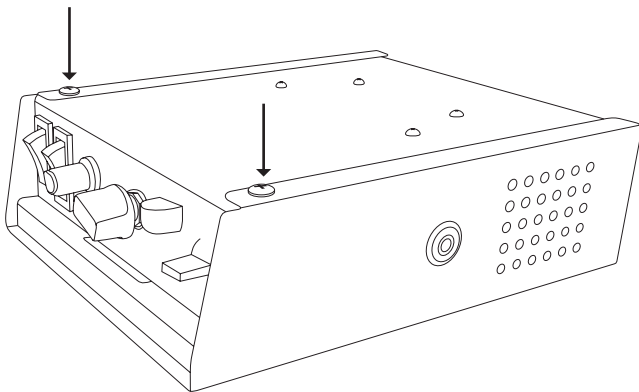
OPERATING

- 1) Connect the red wire to +12V power
- 2) Connect the black wire to ground
- 3) Connect both green wires to the corresponding wires on your 100W speaker. Both wires must be connected in order for the siren to function. Connect the yellow and/or blue wires to any +12V auxiliary lighting. Each switch has a maximum draw of 3 AMPs



INTERNAL FUSE ACCESS

Located inside the siren amplifier are two fuses to protect the circuit. If your siren has stopped functioning you can access this fuse by removing the two screws under the siren and removing the cover.



WARNING

- Do not install this product or route any wires in the deployment area of your airbag. Equipment that is mounted or located in the airbag deployment area can reduce or damage the effectiveness of the airbag, or become a projectile that can cause serious personal injury or death. Refer to your vehicle owner's manual for more information about the airbag deployment area. The User/Installer assumes full responsibility for determining a proper mounting location that provides ultimate safety to all passengers inside the vehicle.
- Do not attempt to activate or control this device in hazardous driving conditions.
- Nighttime operation of lighting products may produce reflected light within the vehicle, rendering it difficult to see. Use with caution.
- These are high intensity lights. Please allow adequate distance before looking directly into them.

IMPORTANT!

Before returning this vehicle to active service, visually confirm the proper operation of this product, as well as all vehicle components/equipment.

WARRANTY INFORMATION

- ⚡ UBL Electronics warrants that all "ilumex" series LED lights are free from defects in materials and workmanship for five (5) years from the time of purchase, all other LED lights are free from defects in materials and workmanship for two (2) years from the time of purchase, and all UBL sirens and speakers are free from defects in materials and workmanship for one (1) year from the time of purchase. During the warranty period we will, at our sole discretion, repair or replace the product. This limited warranty does not cover labor charges for the removal and installation of the product.
- ⚡ UBL Electronics is not responsible for incidental damages, including but not limited to: loss of time, loss of work, inconvenience, loss and/or damage to personal property, and shipping expenses.
- ⚡ Use of incorrect electrical power (other than that specified by the manufacturer), use of inappropriate or inadequate wiring, improper circuit protection or alterations to the product may void the warranty.

THIS WARRANTY IS SUBJECT TO CHANGE WITHOUT NOTICE.