



SKU: UBL-HAW-12

**FLASH PATTERNS:**

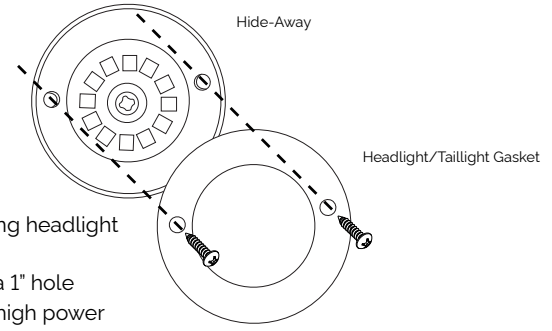
Single Low 1	Dual-Single High/Low 1
Single High 1	Dual-Double Low 1
Single High/Low 1	Dual-Double High 1
Double Low 1	Dual-Double High/Low 1
Double High 1	Dual-Triple Low 1
Double High/Low 1	Dual-Triple High 1
Triple Low 1	Dual-Triple High/Low 1
Triple High 1	Dual-Single Low 2
Triple High/Low 1	Dual-Single High 2
Single Low 2	Dual-Single High/Low 2
Single High 2	Dual-Double Low 2
Single High/Low 2	Dual-Double High 2
Double Low 2	Dual-Double High/Low 2
Double High 2	Dual-Triple Low 2
Double High/Low 2	Dual-Triple High 2
Triple Low 2	Dual-Triple High/Low 2
Triple High 2	Brake 1
Triple High/Low 2	Brake 2
Dual-Single Low 1	Steady 1
Dual-Single High 1	Steady 2

**PATTERN CHANGING INSTRUCTIONS:**

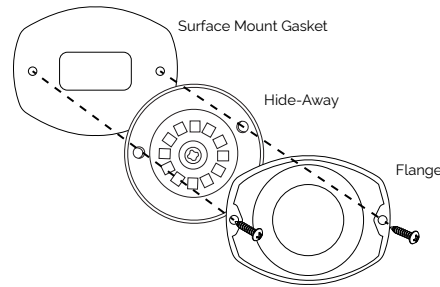
- 1) To change the pattern, apply yellow wire to +12V for one second.
- 2) The light will now be advanced one pattern forward. Refer to the flash pattern list to find your place.

**HEADLIGHT MOUNTING SPECIFICATIONS:**

- 1) Follow manufacturer's instructions for removing headlight or taillight housing.
- 2) Along a flat surface of the light housing, use a 1" hole saw and drill a hole. We recommend using a high power vacuum while drilling to prevent any shards from entering the housing.
- 3) Place hide-away in 1" hole, mark screw holes on light housing, drill pilot holes. We recommend using a high power vacuum while drilling to prevent any shards from entering the housing.
- 4) Attach the included foam headlight gasket around the hide-away head and secure the hide-away to the headlight or taillight housing using the included screws.
- 5) Spread a bead of RTV silicone around the hide-away head to create a waterproof seal.
- 6) Allow ample time for the silicone to dry and then reinstall the headlight/taillight housing.

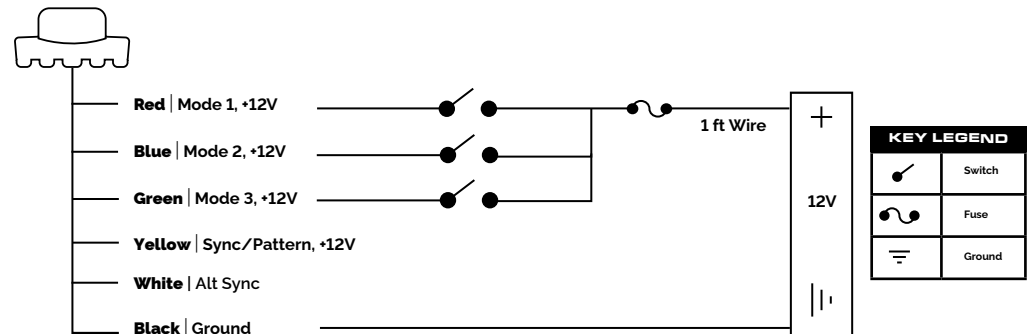


**FOR SURFACE MOUNTING:**



**WIRING INSTRUCTIONS: (PROFESSIONAL INSTALLATION RECOMMENDED)**

- 1) To power the light, extend the red (+) wire to the +12V post. Then extend the black (-) wire to the ground post of the vehicle's battery or any unpainted metal part of the vehicle.
- 2) Wire light to a 12V switch or controller. Include a 3AMP fuse within 12" of your power source to protect your circuit.
- 3) To activate modes 2 and 3, follow step one but instead of connecting the red wire, connect the blue (mode 2) or green (mode 3) to your +12V controller or switch. Mode 3 overrides 2 and 1. Mode 2 overrides 1.



**SYNC INSTRUCTIONS:**

- 1) To sync the modules, apply the yellow wire to +12V for one second until the steady burn pattern is selected.
- 2) For the lights to alternate, one module must be designated Sync A and the other Sync B. Connect the white wires from the modules you designated Sync A to +12V power.
- 3) Disregard any white wires from the modules you designated Sync B. Tape and secure these extra wires to prevent a short circuit.
- 4) Connect the yellow wires from all of the modules together.
- 5) The modules are now in sync and will alternate. To change the flash patterns of the synced modules, simultaneously touch all of the yellow wires to +12V for one second.

## **WARNING**

- Do not install this product or route any wires in the deployment area of your airbag. Equipment that is mounted or located in the airbag deployment area can reduce or damage the effectiveness of the airbag, or become a projectile that can cause serious personal injury or death. Refer to your vehicle owner's manual for more information about the airbag deployment area. The User/Installer assumes full responsibility for determining a proper mounting location that provides ultimate safety to all passengers inside the vehicle.
- Do not attempt to activate or control this device in hazardous driving conditions.
- Nighttime operation of lighting products may produce reflected light within the vehicle, rendering it difficult to see. Use with caution.
- These are high intensity lights. Please allow adequate distance before looking directly into them.

### **IMPORTANT!**

Before returning this vehicle to active service, visually confirm the proper operation of this product, as well as all vehicle components/equipment.

## **WARRANTY INFORMATION**

- ⚡ UBL Electronics warrants that all "ilumex" series LED lights are free from defects in materials and workmanship for five (5) years from the time of purchase, all other LED lights are free from defects in materials and workmanship for two (2) years from the time of purchase, and all UBL sirens and speakers are free from defects in materials and workmanship for one (1) year from the time of purchase. During the warranty period we will, at our sole discretion, repair or replace the product. This limited warranty does not cover labor charges for the removal and installation of the product.
- ⚡ UBL Electronics is not responsible for incidental damages, including but not limited to: loss of time, loss of work, inconvenience, loss and/or damage to personal property, and shipping expenses.
- ⚡ Use of incorrect electrical power (other than that specified by the manufacturer), use of inappropriate or inadequate wiring, improper circuit protection or alterations to the product may void the warranty.

**THIS WARRANTY IS SUBJECT TO CHANGE WITHOUT NOTICE.**