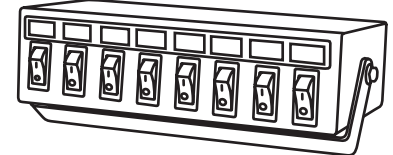
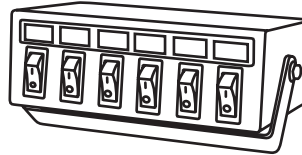
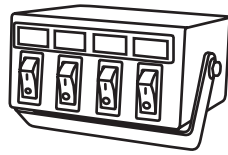




SKU: UBL-SWB4, UBL-SWB6, UBL-SWB8



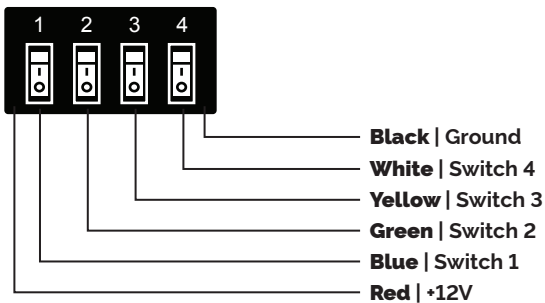
MOUNTING:

- 1) Mount the switch box using the attached "U" bracket or in an appropriate console, using the attached bolts.
- 2) Drill two holes on your mounting surface.
- 3) Attach the included U bracket and secure it to your mounting surface (Be sure to mount the box away from any airbag deployment zones).
- 4) Secure the switch box to the U bracket using the two bolts on the side of the switch box.
- 5) Tighten the bolts firmly to remove any "play" between the bracket and box.
- 6) Wire the switch box using the wiring diagram below.

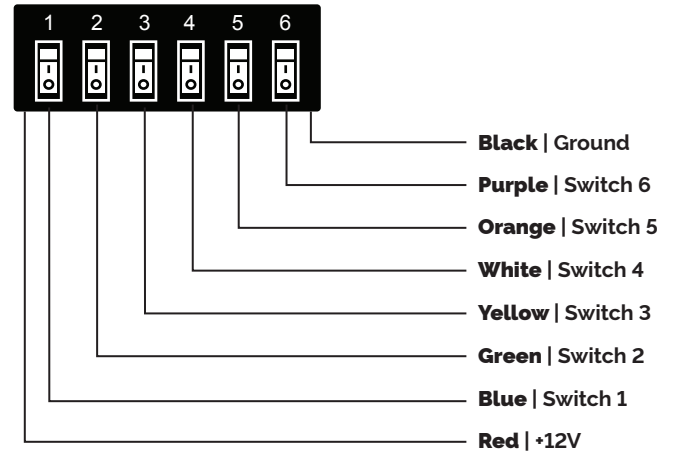
INFORMATION:

The fuse on the back of the unit fuses all switches at 12V and a maximum of 10amps. The fuse may be upgraded but do not exceed a 15amp load per switch.

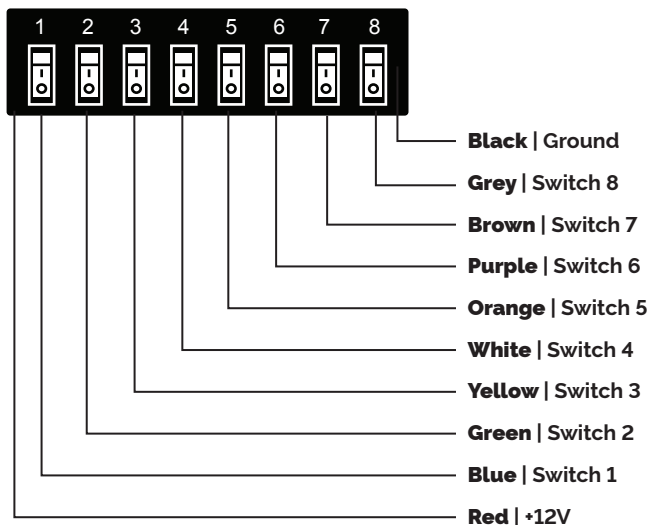
4 SWITCH BOX



6 SWITCH BOX



8 SWITCH BOX



Note: When routing the wires, it is important to choose a path that will keep the wires away from excessive heat or any vehicle equipment that could compromise the integrity of the wires (ex. trunk lids, door jams, engine, etc.)

WARNING

- Do not install this product or route any wires in the deployment area of your airbag. Equipment that is mounted or located in the airbag deployment area can reduce or damage the effectiveness of the airbag, or become a projectile that can cause serious personal injury or death. Refer to your vehicle owner's manual for more information about the airbag deployment area. The User/Installer assumes full responsibility for determining a proper mounting location that provides ultimate safety to all passengers inside the vehicle.
- Do not attempt to activate or control this device in hazardous driving conditions.
- Nighttime operation of lighting products may produce reflected light within the vehicle, rendering it difficult to see. Use with caution.
- These are high intensity lights. Please allow adequate distance before looking directly into them.

IMPORTANT!

Before returning this vehicle to active service, visually confirm the proper operation of this product, as well as all vehicle components/equipment.

WARRANTY INFORMATION

- ⚡ UBL Electronics warrants that all "ilumex" series LED lights are free from defects in materials and workmanship for five (5) years from the time of purchase, all other LED lights are free from defects in materials and workmanship for two (2) years from the time of purchase, and all UBL sirens and speakers are free from defects in materials and workmanship for one (1) year from the time of purchase. During the warranty period we will, at our sole discretion, repair or replace the product. This limited warranty does not cover labor charges for the removal and installation of the product.
- ⚡ UBL Electronics is not responsible for incidental damages, including but not limited to: loss of time, loss of work, inconvenience, loss and/or damage to personal property, and shipping expenses.
- ⚡ Use of incorrect electrical power (other than that specified by the manufacturer), use of inappropriate or inadequate wiring, improper circuit protection or alterations to the product may void the warranty.

THIS WARRANTY IS SUBJECT TO CHANGE WITHOUT NOTICE.