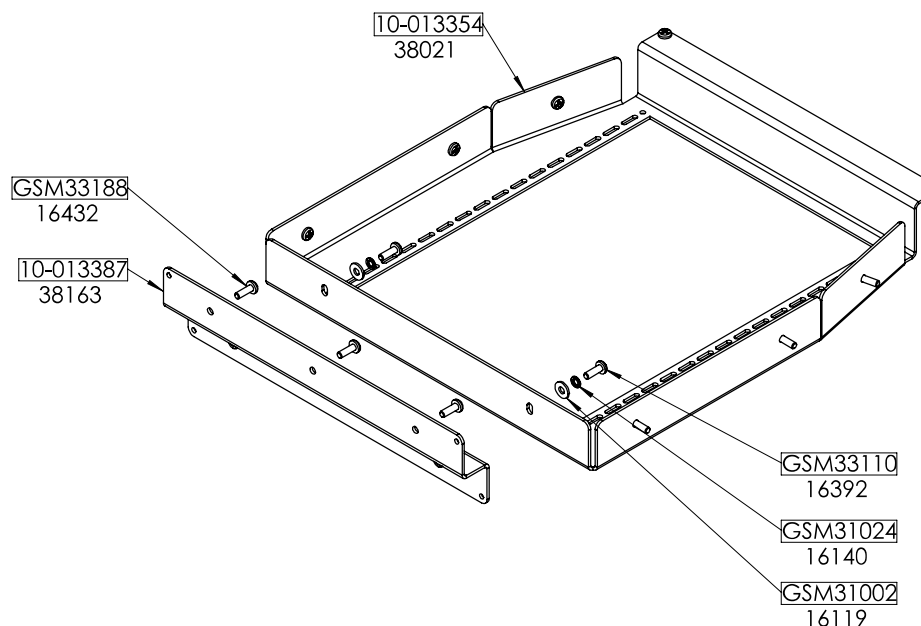


## INSTALLATION INSTRUCTIONS:

1. REMOVE OEM ACCESSORY TRAY FROM ARMREST INTERIOR IF EQUIPPED.
2. REST 38163 REAR MOUNTING BRACKET ONTO REAR ACCESSORY TRAY MOUNTING RAIL. POSITION THE BRACKET SO THAT THE THREE MOUNTING HOLES ARE ABOVE THE RAIL.
3. INSERT 38021 MAIN CONSOLE BRACKET INTO CONSOLE FROM THE SIDE, ANGLING ONE SIDE DOWN FOR EASIER PLACEMENT.
4. REST THE FRONT FLANGE OF 38021 MAIN CONSOLE BRACKET AGAINST THE FORWARD ACCESSORY TRAY MOUNTING RAIL.
5. ATTACH 38021 MAIN CONSOLE MOUNTING BRACKET TO 38163 REAR MOUNTING BRACKET USING SUPPLIED 16392 8-32 SCREWS, 16140 LOCK WASHERS, AND 16119 FLAT WASHERS.
6. SECURE THE C-VS-1100-EXPD BRACKET ASSEMBLY TO INSIDE OF OEM CONSOLE USING THE SUPPLIED 16432 #8 SELF DRILLING SCREWS
7. INSTALL DESIRED EQUIPMENT AND FILLER PLATES.
8. INSTALLATION COMPLETE



### HARDWARE KIT CONTENTS:

LINE	QTY.	PART NUMBER	DESCRIPTION
1	1	10-013354	BRKT, EXPEDITION, ARMREST CONSOLE BASE
2	1	10-013387	BRKT, EXPEDITION, ARMREST CONSOLE MT
3	2	GSM31002	WASHER #8 FLAT ZP
4	2	GSM33110	SCREW 8-32 X 1/2 PPHMS ZP
5	2	GSM31024	WASHER #8 LOCK ZP
6	11	GSM33188	SCREW #8 X 1/2 PPHMS TYPE AB ZP
7	1	10-013389	INST, EXPEDITION, ARMREST CONSOLE

**WARNING:** ALL HAVIS INC. PRODUCTS ARE DESIGNED WITH SAFETY OF USE AND INSTALLATION IN MIND. HOWEVER, IT IS THE SOLE RESPONSIBILITY OF THE OWNER/OPERATOR OF A VEHICLE USING HAVIS INC. MOUNTING AND DOCKING EQUIPMENT, TO INSURE THAT THE EQUIPMENT IS INSTALLED SO THAT IT WILL NOT INTERFERE WITH VEHICLE OPERATION, INTERFERE WITH SAFETY DEVICES, OBSTRUCT VIEW OF DRIVING CONDITIONS, OR IN ANY WAY DEGRADE OCCUPANT SAFETY. IMPROPER INSTALLATION CAN CAUSE SERIOUS INJURY IN THE EVENT OF AN ACCIDENT. INSTALLATION SHOULD ONLY BE PERFORMED BY QUALIFIED PROFESSIONALS. COMPUTERS AND MOTION DEVICES MUST BE MOVED TO AND STOWED/SECURED IN THEIR SAFE DRIVING POSITIONS BEFORE OPERATING VEHICLE.

DRAWING NO.

**10-013389**

PRODUCT DESCRIPTION

**ASSY, EXPEDITION, ARMREST CONSOLE**

**HAVIS**

1-800-524-9900  
WWW.HAVIS.COM

WEIGHT: (LBS)

**2.993**

REV. DATE

**02-23**