

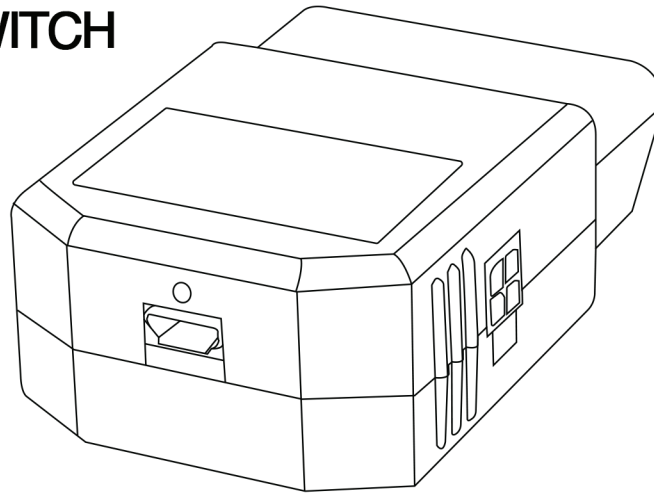


The Flash™

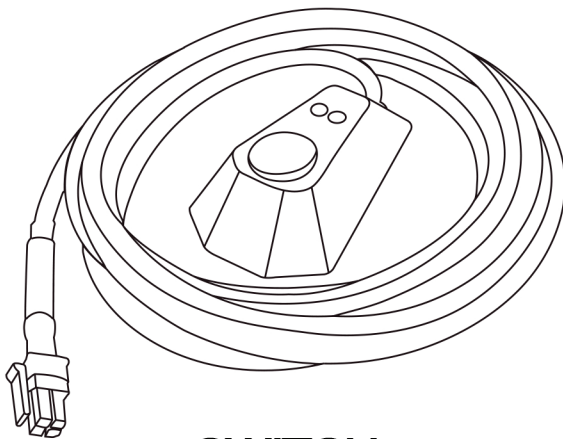
VEHICLE FLASHER

USER MANUAL | **OBD-II SWITCH
FORD**

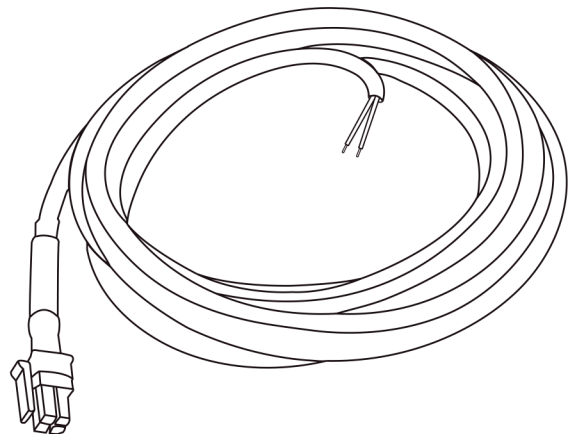
OBD-II SWITCH



HARDWIRE



SWITCH





WARRANTY

This warranty protects the product(s) specified to be free from defects in material and workmanship for 1 (one) year. During the warranty period we will, at our sole discretion, repair or replace the product(s). This limited warranty does not cover travel expense or labor charges for the removal and reinstallation of the product, or any other charges alike. We are not responsible for incidental damages, including but not limited to: loss of time, loss of work, inconvenience, loss and/or damage to personal property, shipping expenses. We are in no way responsible for any loss or any indirect or consequential damages resulting from any such defect in material and/or workmanship whether it's due to negligence, incorrect installation, or manufacturer mistake. It is the sole responsibility of the party initiating a warranty claim to pay shipping charges associated with returning a product.



WARNING

- If you do not know what you are doing, do not try.
- We advise professional installation for all products.
- Electrical shock can cause injury or death. Please use proper tools and protection when installing. Professional installation is strongly advised.
- Please check for correct installation method before powering on. Electrical fire can occur.
- Do not run any wires in the way of air bags or other safety devices.

START HERE

Congrats on purchasing your Z-Flash! Your Z-Flash is ready to start flashing your factory lights right out of the box. Follow the steps below to get started:

1. Plug the switch or hardwire into the 2x2 port on the side of your Z-Flash module and follow the respective instructions below. Then plug your Z-Flash module into the OBD-II port (see page 2 for more details).
2. Test out your module! If you want to change or edit any of the patterns, use the provided USB cable and plug your Z-Flash into your Windows computer. Visit TheZFlash.com for full instructions and video tutorials on how to edit or create your own patterns.



INSTALLATION

Using your module with the Switch:

1. Connect the 2x2 plug on the switch into the port on the side of your Z-Flash module.
2. Clean the surface where you want to stick the switch with alcohol and wait for it to dry completely.
3. Remove the paper backing and stick the switch. Careful! You only have one attempt to get the switch to stick. Remember to apply light pressure ensuring the entire switch mounting pad is making contact with the mounting area.
4. Press and hold the button on the switch for one second to activate the module. The light will change from red to green to indicate the Z-Flash is activated.
5. To change the pattern, press and hold the button for 5 seconds. Above is a full chart on how to use the switch.

LED Indicator Light	Button Operation
Red LED = module off	One second press = on/off
Green LED = module on	Five second press = pattern change
Green LED blinking then pause = indicates pattern number	

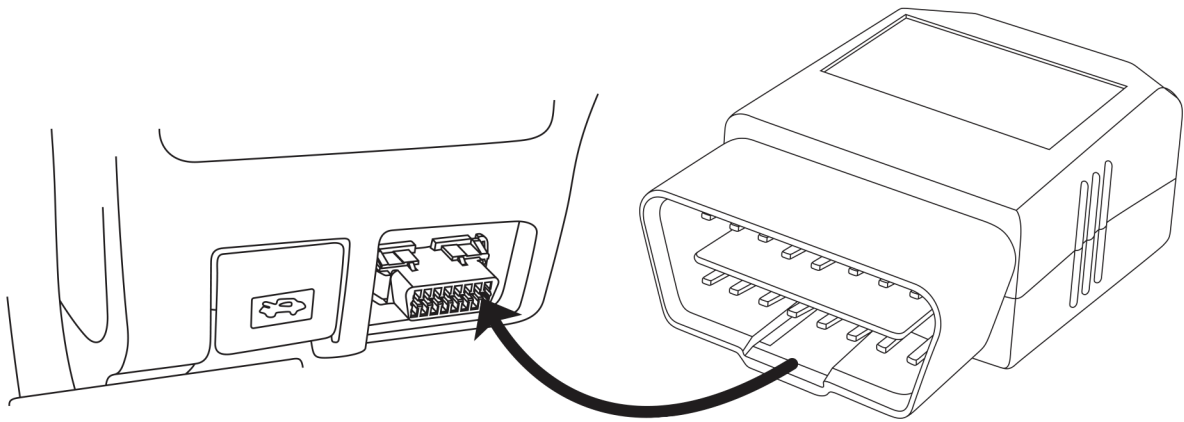
Using your module with the Hardwire:

1. Connect the 2x2 plug on the switch into the port on the side of your Z-Flash module.
2. Set your flash pattern for each mode using the Z-Flash software available at TheZFlash.com.
3. Follow the chart to connect mode 1, 2, and/or 3 to +12V.

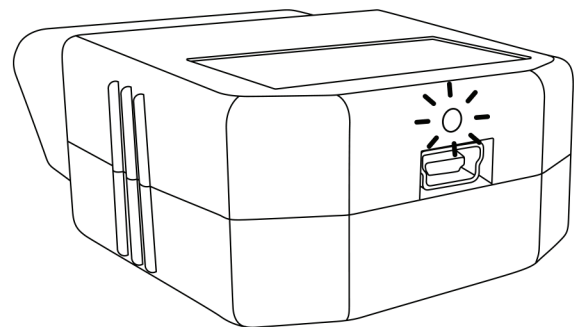
Wire Color	Mode
Blue	Mode 1
Yellow	Mode 2
Blue and Yellow	Mode 3



OBD-II MODULE INSTALLATION



1. Connect the module into the vehicle's OBD-II port. The OBD-II port is located under the dashboard on the driver's side.
2. Start your vehicle.
3. The module will begin to boot and the LED will flash for 5 seconds.
4. When the module is ready to use the green LED will flash for 5 seconds and then turn off.
5. If you need to disconnect the module and plug it back in, you will need to follow the boot sequence again. Make sure the module is turned off before removing it.





FAQS

- **How does it work?**

Using diagnostic signals the module tells the vehicle to activate the respective lights. The module does not rewrite computer code or affect the vehicle. The codes are the same that the dealer could use to diagnose your vehicle.

- **Will this burn my computer?**

The module does not put out any voltage and will not burn up the computer. It's much like plugging a USB stick into your PC.

- **Will my brake lights still work?**

Your brake and turn signals will override the flashing pattern. If the module is active and you hit the brakes or use your turn signal, that function will override. This cannot be disabled as it is an important safety feature.

- **Does this put my vehicle in reverse?**

The module will not change your vehicle's gears. However, some vehicle's may activate the backup camera screen because they are wired in with the reverse lights. Unfortunately this cannot be disabled at this time.

- **Will this burn up my bulbs?**

Like any headlight/taillight flasher it will burn out your bulbs faster than normal. Aftermarket HID's will burn up very quickly because the ballasts are not intended to flash

- **Why are my Halogen bulbs not flashing or very dim?**

Unlike LEDs, Halogen bulbs require a charge up and cool down time. Because of this, it is not possible to flash them as fast as LED bulbs. Try using a custom pattern to slow the flash rate down.

- **Is the Z-Flash Plug and Play Flasher for Ford Vehicles traceable?**

Once removed, the flasher module does not leave any trace of being installed.