

INSTALLATION INSTRUCTIONS C-VS-2600-MSTG

Vehicle specific console for 2021-2023 Ford Mustang Mach E

TOOLS REQUIRED:

Panel removal tool Standard Socket set Metric Socket set T-20 Torx bit

PARTS and MOUNTING HARDWARE:

<u>QTY</u>	<u>DESCRIPTION</u>	<u>PART#</u>
1	Foam Block (2" x 2.5" x 8")	12457
1	Rear cross support bracket	13368
1	Front center mounting bracket	25616
1	Passenger side front bracket	27531 (slightly longer and larger offset than DS)
1	Driver side front bracket	27532
1	Driver side rear bracket	27533
1	Passenger side rear bracket	27534
1	Wireless charger face plate	27535 (already attached to housing)
1	Wireless charger bracket	25622 (already attached to housing)
1	Wireless charger adaptor bracket	37476 (used for newer charger)
1	Shifter / Parking brake equipment bracket	27537
1	Parking brake / switch holder	27538
1	Driver side front trim panel	37473
1	Passenger side front trim panel	37474
1	Console extrusion nuts kit	25520 (includes 12 – 1/4-20 hex nuts)
16	1/4" Serrated nuts	16013
9	10-32 Keps nuts	16017
16	1/4" x 1/2" Carriage bolt	16122
17	10-32 x 1/2" Machine screw	16399
12	#8-18 X 3/8, PFHMS	16425

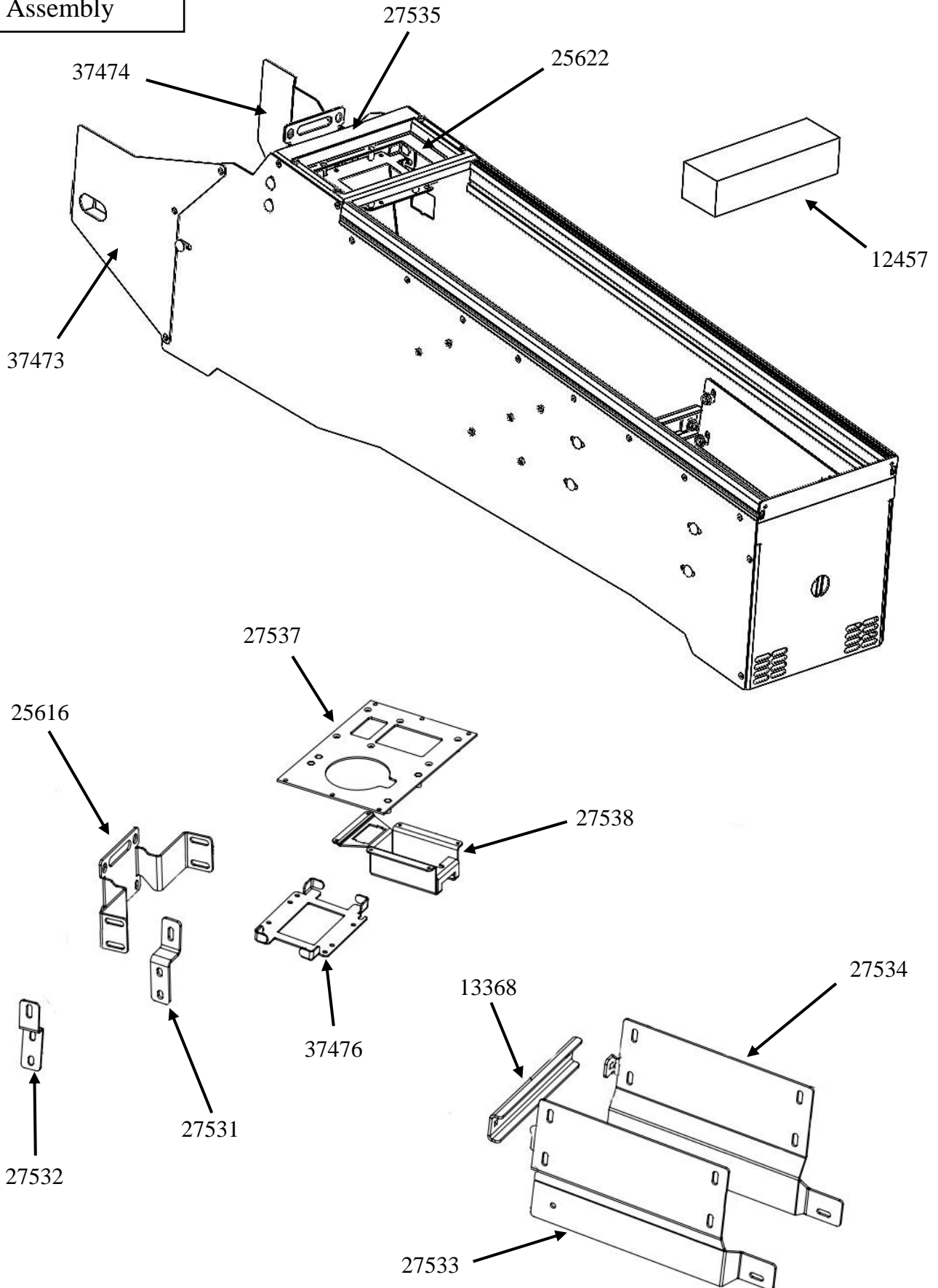
IMPORTANT NOTE:

Installing keyless entry sensors in correct locations is important. Rear OEM sensor mounts inside console housing on driver side using holes and hardware provided. Front OEM sensor mounts inside console on top of air duct. Holes must be drilled in plastic air duct and mount using hardware provided. See photos on last page.

Always!

- Read all instructions before installing any Havis, Inc. products.
- Use hardware provided with install kit

C-VS-2600-MSTG
Assembly





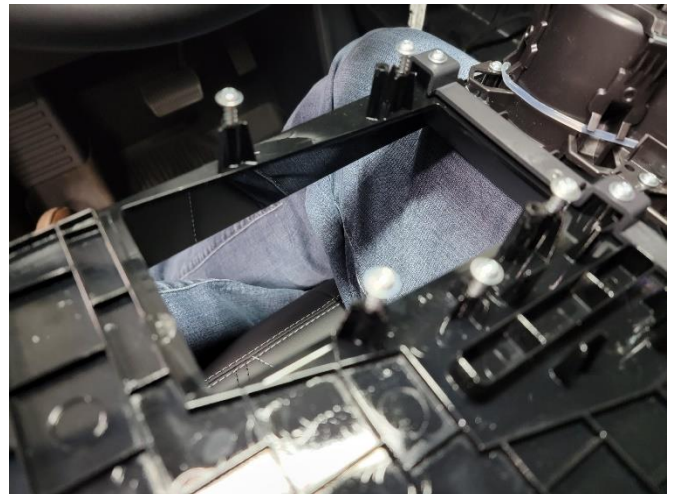
View of Mustang Mach E prior to install



Remove shifter and emergency brake pad by gently pulling up from the front.



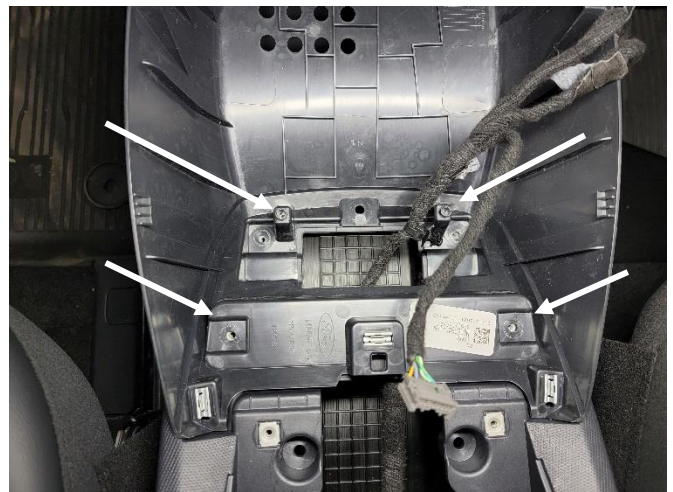
Unsnap and remove top of center storage area.



Unscrew wireless phone charger from underside of center storage area.



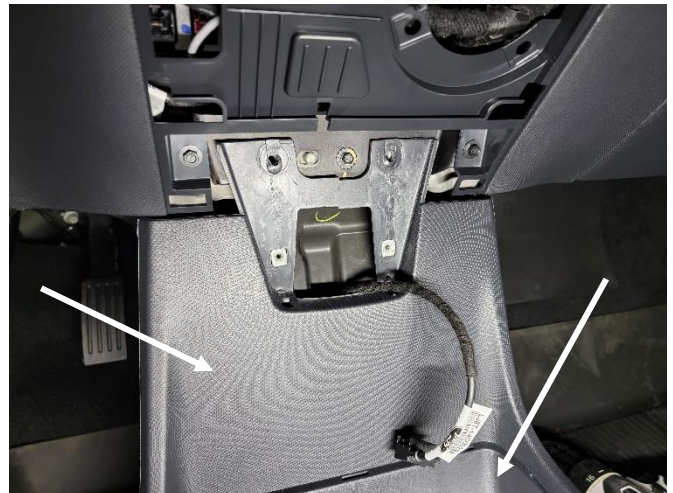
Remove all remaining modules and harness from lower center storage area



Remove (4) OEM fasteners from rear of lower, center storage area.



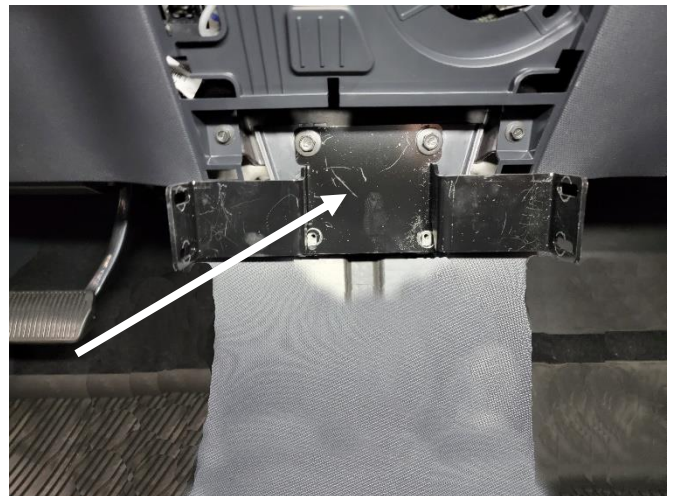
Unsnap trim from upper section or lower, center storage area and remove (4) OEM fasteners.



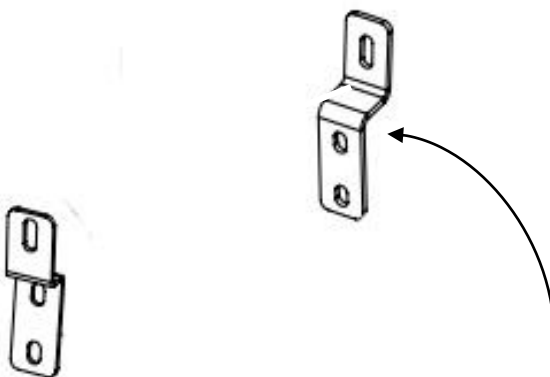
Remove forward panel and lower center storage area.



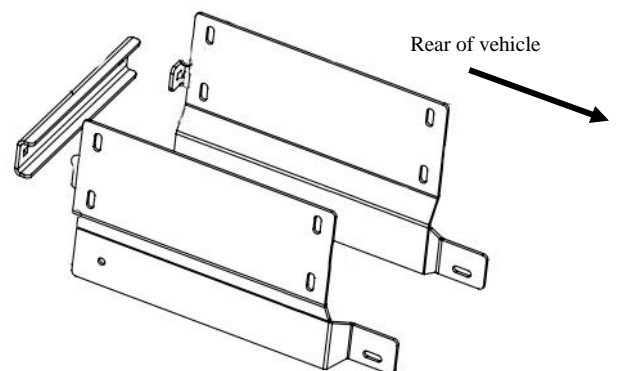
Remove all OEM center console parts. Save hardware for possible future use.



Attach the front mounting bracket 25616 using previously removed OEM fasteners.



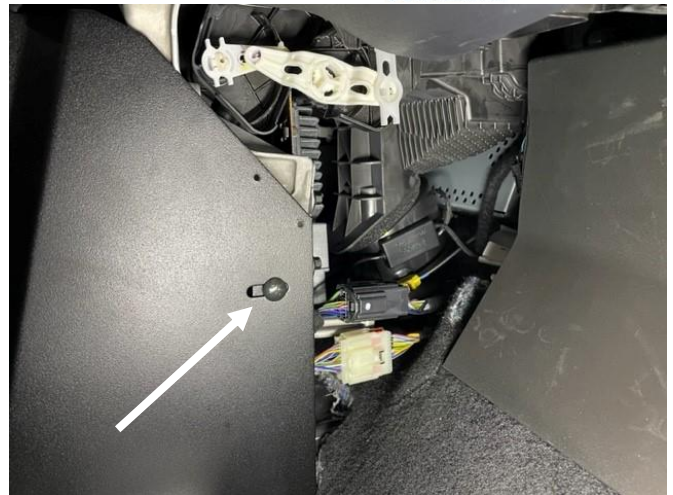
Attach front side brackets to OEM frame under dash with previously removed OEM fasteners. (Passenger side bracket is slightly longer and has larger offset)



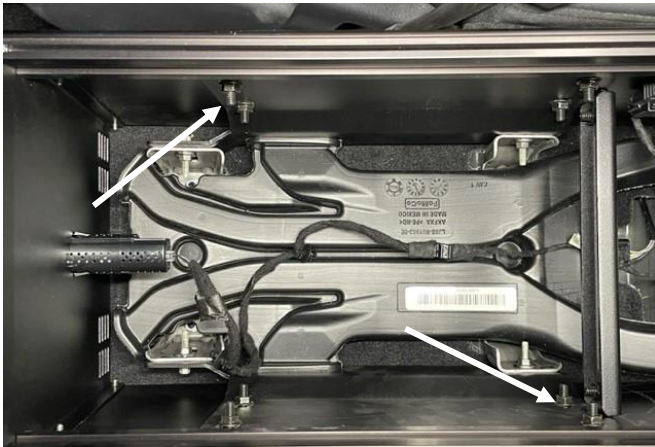
Attach rear brackets to OEM brackets using previously removed OEM fasteners. Attach cross support to rear brackets with 1/4" x 1/2" carriage bolts and nuts. This must be done before installing console housing in order to access OEM bracket hardware.



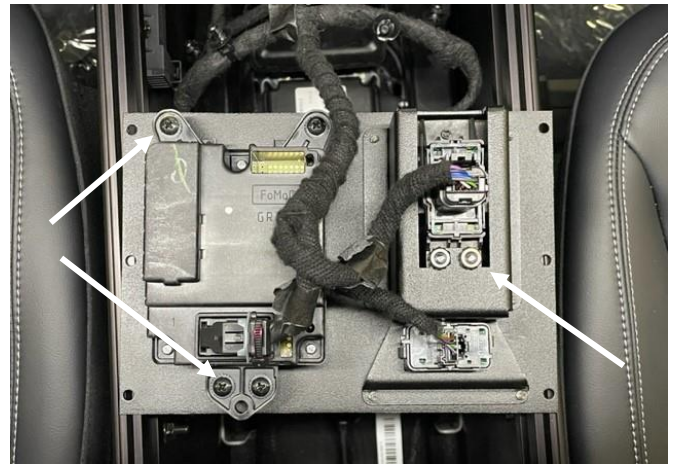
Place console housing into vehicle by sliding in from rear.
Attach housing to front center bracket with 1/4" x 1/2"
carriage bolts and nuts.
(Two bolts and nuts each side)



Attach front housing sides to front side brackets
with 1/4" x 1/2" carriage bolts and nuts.
(One bolt and nut each side)



Attach rear housing sides to rear brackets with
1/4" x 1/2" carriage bolts and nuts.
(Four bolts and nuts each side)



Attach shifter to face plate with 10-32 x 1/2" screws.
Attach brake switch to holder with 10-32 x 1/2"
screws and nuts.



Attach brake switch holder to face plate with
#8-18 X 3/8 flat head screws. Insert Hazard
switch into face plate and plug in wiring.



Place OEM wireless charger into rear of charger
faceplate and bracket. Attach adaptor bracket with
10-32 x 1/2" screws to hold charger in.



Install charger bracket and shifter plate assemblies into console.



Attach Rear OEM Key sensor inside console housing with 10-32 x 1/2" screw and nut and plug in wiring.



Position and attach front OEM Key sensor side to side inside console on top of air duct with 10-32 x 1/2" screw and nut. Drilling plastic dust required. Insert foam into vent to prevent air from blowing inside console.



Install passenger side trim panel with three (3) #8-18 X 3/8 flat head screws.



Driver side trim panel.

Loosely install previously removed OEM bolt into frame under dash. Then place trim panel slotted hole under bolt head. Attach the three (3) #8-18 X 3/8 flat head screws then tighten OEM bolt.



Install equipment as desired to complete installation.