

## INSTALL INSTRUCTIONS C-VS-2300-DUR

**23" Vehicle Specific Console for 2021-22 Durango Pursuit (without center console)**

**NOTE: Does not fit PPV with interior upgrade console, Retail or SSV Durango with console "T" shifter.**

### TOOLS REQUIRED:

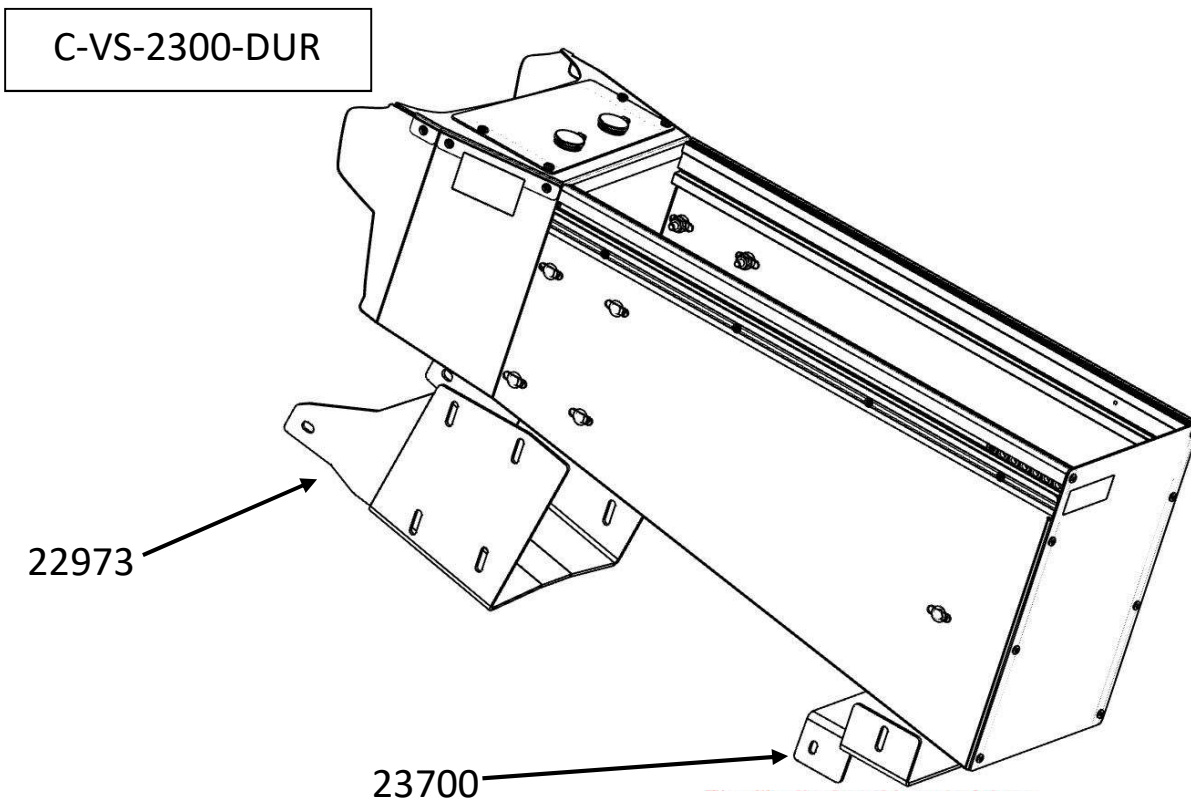
Phillips Screw Driver  
7/16 wrench

Socket set (Standard & Metric)  
T-20 Torx Bit

Wire Cutters / Crimping tool

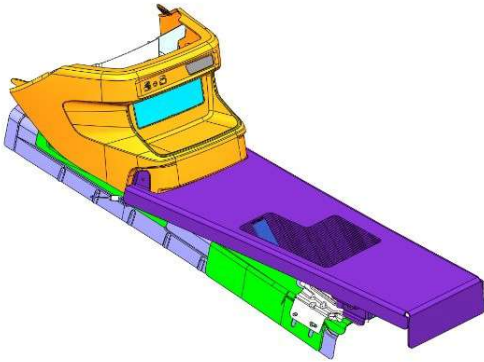
### **PARTS and MOUNTING HARDWARE:**

<u>QTY</u>	<u>DESCRIPTION</u>	<u>PART#</u>
1	Front mounting bracket	22973
1	Rear mounting bracket	23700
1	12v Socket wiring harness	13852
10	1/4" Serrated nut	16013
10	1/4" x 3/4" Carriage bolt	16223
1	1/4" nuts for side rail track	25520 (includes 12 nuts)

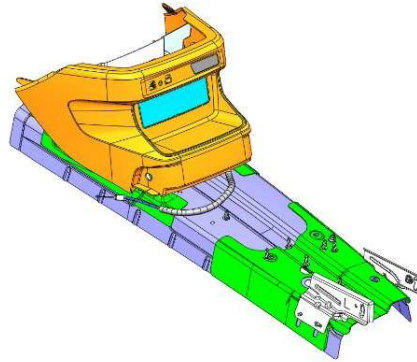


### **Always!**

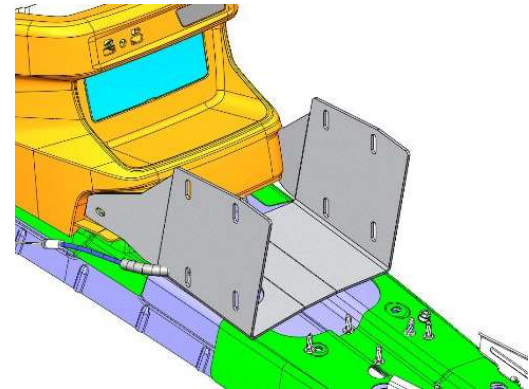
- Read all instructions before installing any Havis, Inc. products.
- **Check for obstructions (Wires, brake lines, fuel tank, etc.) before drilling any holes!**
  - Use hardware provided with install kit



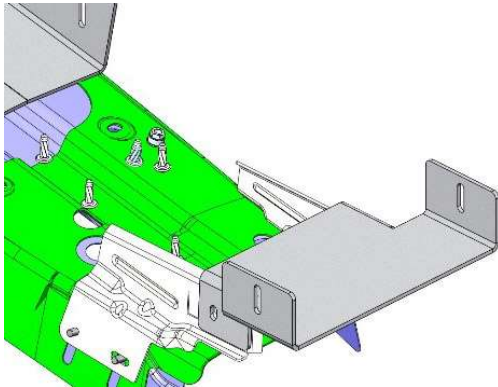
OEM Console prior to installation.



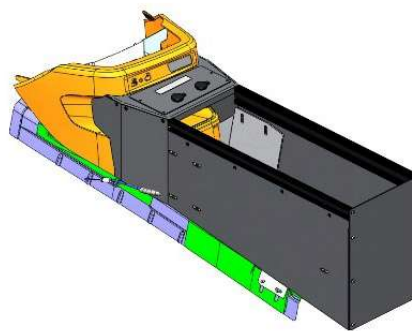
Remove four (4) OEM screws that hold the tunnel plate down. Screws to be reused. Remove and discard OEM sound deadening at front mounting bracket area.



Position front mounting bracket and carefully route any wires underneath. **NOTE:** Ground wire may need to be removed and reattached to position bracket correctly.



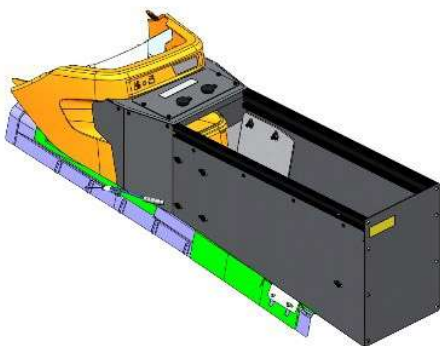
Position rear mounting bracket to OEM bracket. Attach front and rear brackets using OEM hardware. Fully tighten hardware



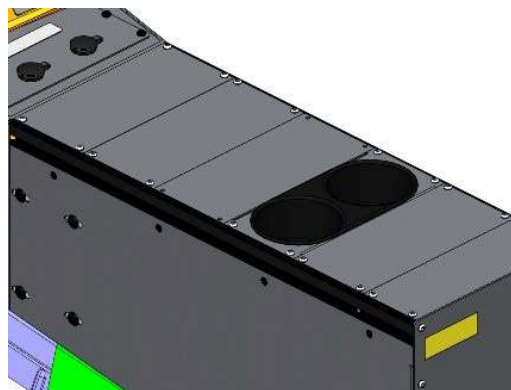
Slide main console housing onto floor brackets. Connect wiring to Accessory Power outlets (APO's / 12 volt sockets)



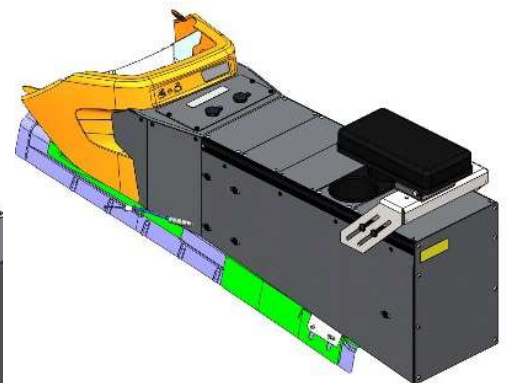
Loosely attach housing to brackets with 1/4" x 3/4" carriage bolts and serrated nuts. Double check positioning.



Run wiring as needed and fully tighten all hardware.



Add equipment brackets, filler panels and accessories to the console.



Installation is now complete.