

## INSTALL INSTRUCTIONS C-VS-1800-SAV 2002-2020 CHEVROLET FULL SIZE G-SERIES VANS \*\* GAS ENGINE ONLY \*\*

**TOOLS REQUIRED:**

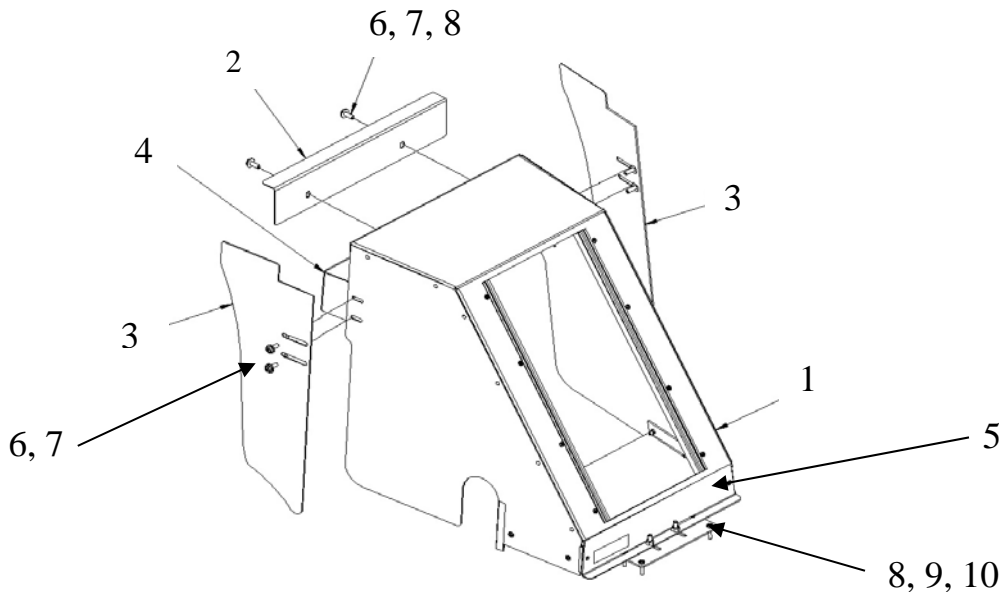
Ratcheting wrench      Sockets - 7/16", 10mm, 8mm      Power drill      Drill bit set  
 Screwdriver set      T-20 Torx bit

**INSTALLATION PARTS AND MOUNTING HARDWARE:**

<u>ITEM</u>	<u>QTY</u>	<u>DESCRIPTION</u>	<u>PART #</u>
1	1	Console main housing	C-VS-1800-ECO-H
2	1	Upper filler panel	CM001492
3	2	Side filler panel	CM001493
4	1	Vehicle mounting bracket	CM001633
5	1	End plate floor bracket	CM003061
6	6	1/4" x 3/4" Phillips machine screw	GSM33124
7	14	1/4" Flat washer	GSM31005
8	4	1/4" Serrated nut	GSM30023
9	4	#10 x 1" Sheet metal screw	GSM33196
10	1	Floor mounting plate	CM93721
-	3	10-32 x 1" Phillips machine screw	GSM33120
-	3	10-32 Keps nut	GSM30028
-	6	3/16" x 1" Fender washer	GSM31013
-	6	1/4" Nylock nut	GSM30016
-	2	1/4" x 3/4" Carriage bolt	GSM32000
-	4	1/4" X 1-1/4" Fender washer	GSM31015
-	4	1/4" X 1-1/4" Hex head bolt	GSM33003
-	2	10-32 X 1/2" Phillips flat head screw	GSM33072

**Always!**

- Read all instructions before installing any Havis, Inc. products.
- Check for obstructions (Wire, brake lines, fuel tank, etc.) before drilling any holes!  
 Use hardware provided with install kit





Remove (4) 10mm bolts from inside lower OEM console pocket

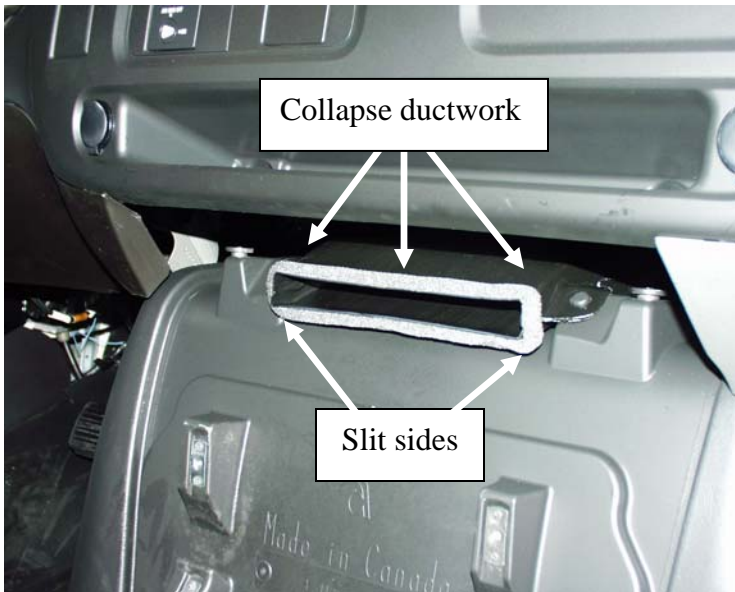
Remove OEM console



Make sure blower duct remains in place



Attach vehicle-mounting bracket using OEM hardware



It is recommended to collapse the plastic ductwork to prevent air from blowing into the console. This will force air out the other vents.

To do this, slit the sides of the duct, drill (3) 3/16" holes, and attach 10-32 x 1" machine screws, washers and keps nuts.

Remove Bucket seats in order to view and access OEM wiring.



Position console and mark location of floor mounting plate. Drill 1/8" pilot holes and attach using #10 x 1" sheet metal screws.

\*\* Removal of carpet padding prior to drilling is recommended.

\*\*Be sure to check for brake, and fuel lines and wires, prior to drilling.



Attach upper filler panel using 1/4" x 3/4" Phillips bolts, washers and serrated nuts



Loosely attach console and side fillers to vehicle mounting bracket using 1/4" x 3/4" Phillips bolts and washers



Adjust side fillers to contour with OEM molding.



The cover will need to be removed from the sensors between the seats. Move the OEM harness to the rear of the sensors and loosely secure in place.



Attach console to vehicle mount brackets. Route wiring and install equipment control units.