

INSTALLATION INSTRUCTIONS C-VS-1508-INUT 23” Console for 2020 Ford Interceptor Utility

TOOLS REQUIRED:

Phillips Screw Driver
 Metric Socket Set

Standard Socket Set
 Wire Cutters

T-20 Torx Bit
 Wire Crimping Tool

PARTS and MOUNTING HARDWARE:

<u>QTY</u>	<u>DESCRIPTION</u>	<u>PART#</u>
1	Rear floor mounting bracket	CM009301-1
1	Driver side front mounting bracket	CM010466-DS
1	Passenger side front mounting bracket	CM010466-PS
1	Lower front cross support	CM010464

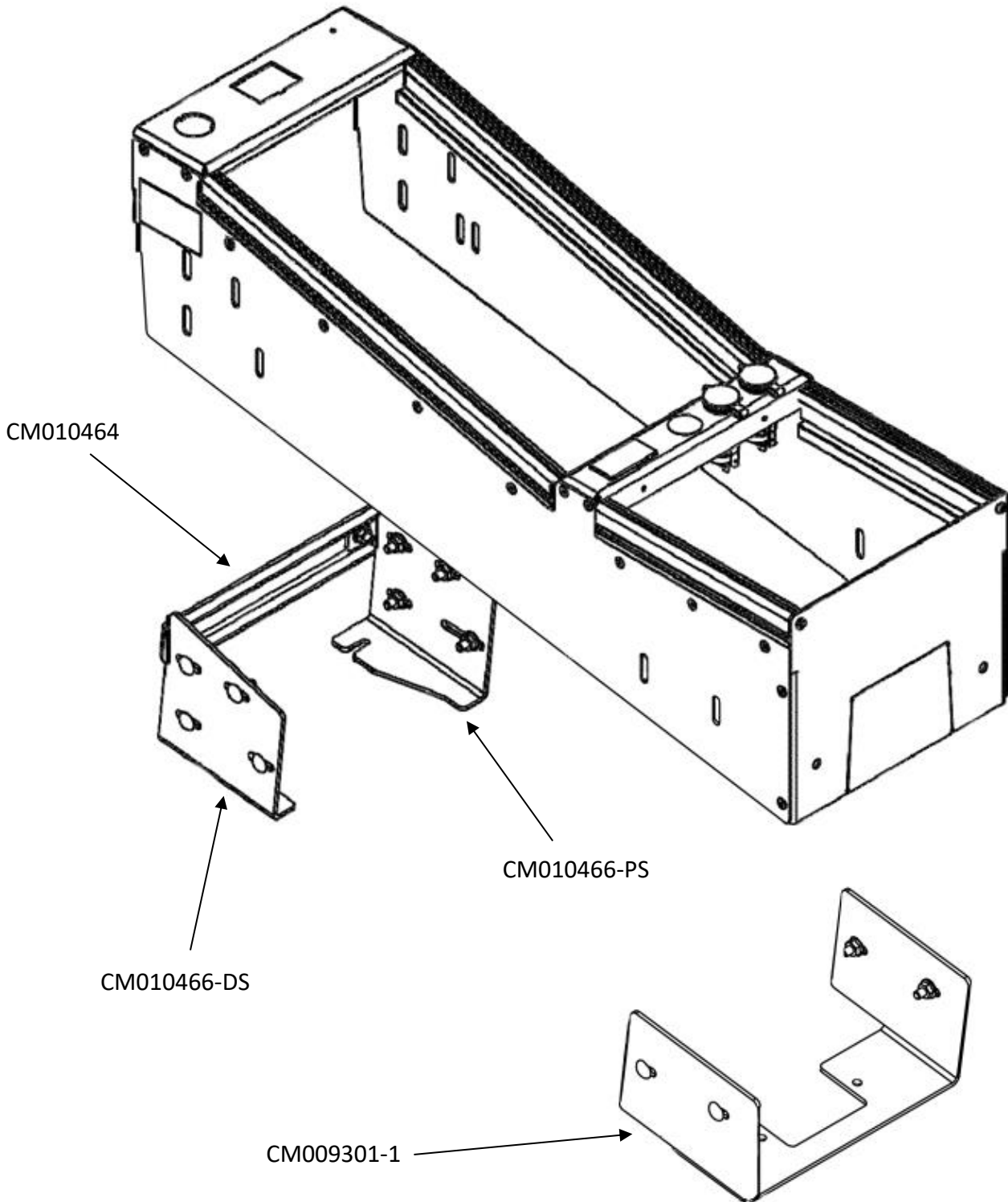
C-HK-351

17	1/4" Serrated nut	GSM30023
17	1/4" x 3/4" Carriage bolts	GSM32000
3	10-32 Keps nut	GSM30028
3	10-32 x 3/4" Machine screws	GSM33119
4	#8-18 x 1/4" Machine screws	GSM33178

Always!

- Read all instructions before installing any Havis, Inc. products.
- **Check for obstructions (Wires, brake lines, fuel tank, etc.) before drilling any holes!**
 - Use hardware provided with install kit

C-VS-1508-INUT Assembly





View of Intercepter Utility before install



Remove OEM tunnel plate by removing rear nuts.
Front nuts only have to be loosened.
The OEM track is slotted at the front. (10mm socket)



Remove fasteners on sides of lower trim.
(7mm)



Remove lower dash trim by carefully pulling it
towards the rear of the vehicle.



Unplug and remove OEM 12 v socket and USB module.
Re-install lower trim and OEM fasteners into dash.



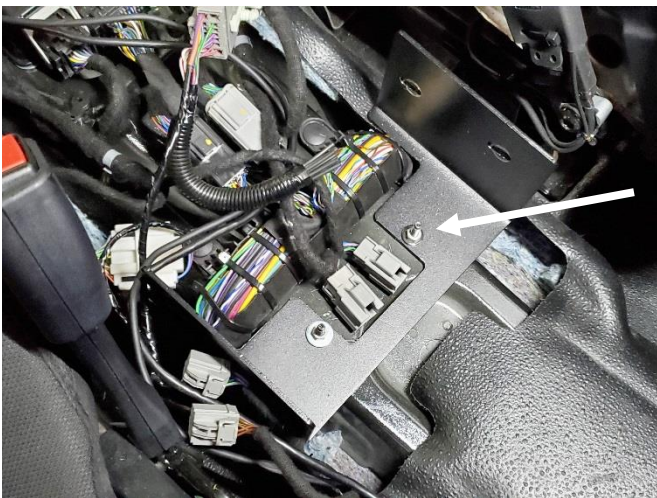
Install OEM 12 v socket and USB retaining bracket
into console top forward panel.



Loosen OEM nuts from front ductwork. (10mm socket)
Slide front mounting brackets under ductwork from the sides onto OEM studs. **Note:** Make sure brackets are below plastic vent and sitting on top of metal floor.



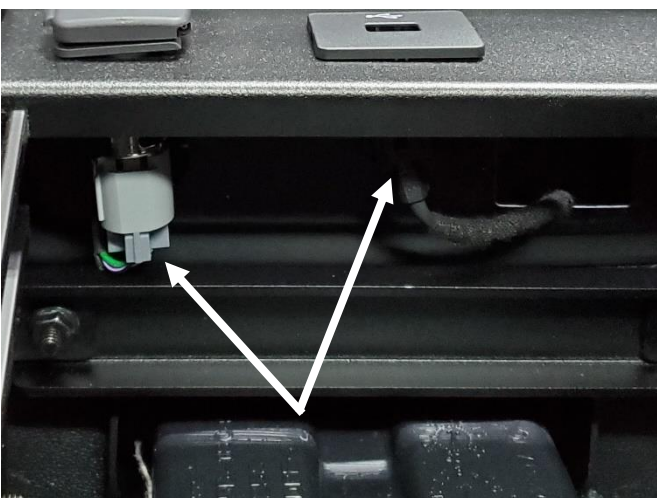
Attach front lower cross support to mount brackets with carriage bolts and serrated nuts.



Attach rear mounting bracket to floor studs using previously removed OEM nuts.



Slide console housing onto floor brackets and attach with carriage bolts and serrated nuts.
Tighten all hardware.



Plug wires back into 12 v socket and USB module.
Wire and install equipment as needed



Installation complete