

## INSTALLATION INSTRUCTIONS C-VS-1400-INUT-1

### 14" Console for the 2020 - 2022 Ford Interceptor Utility

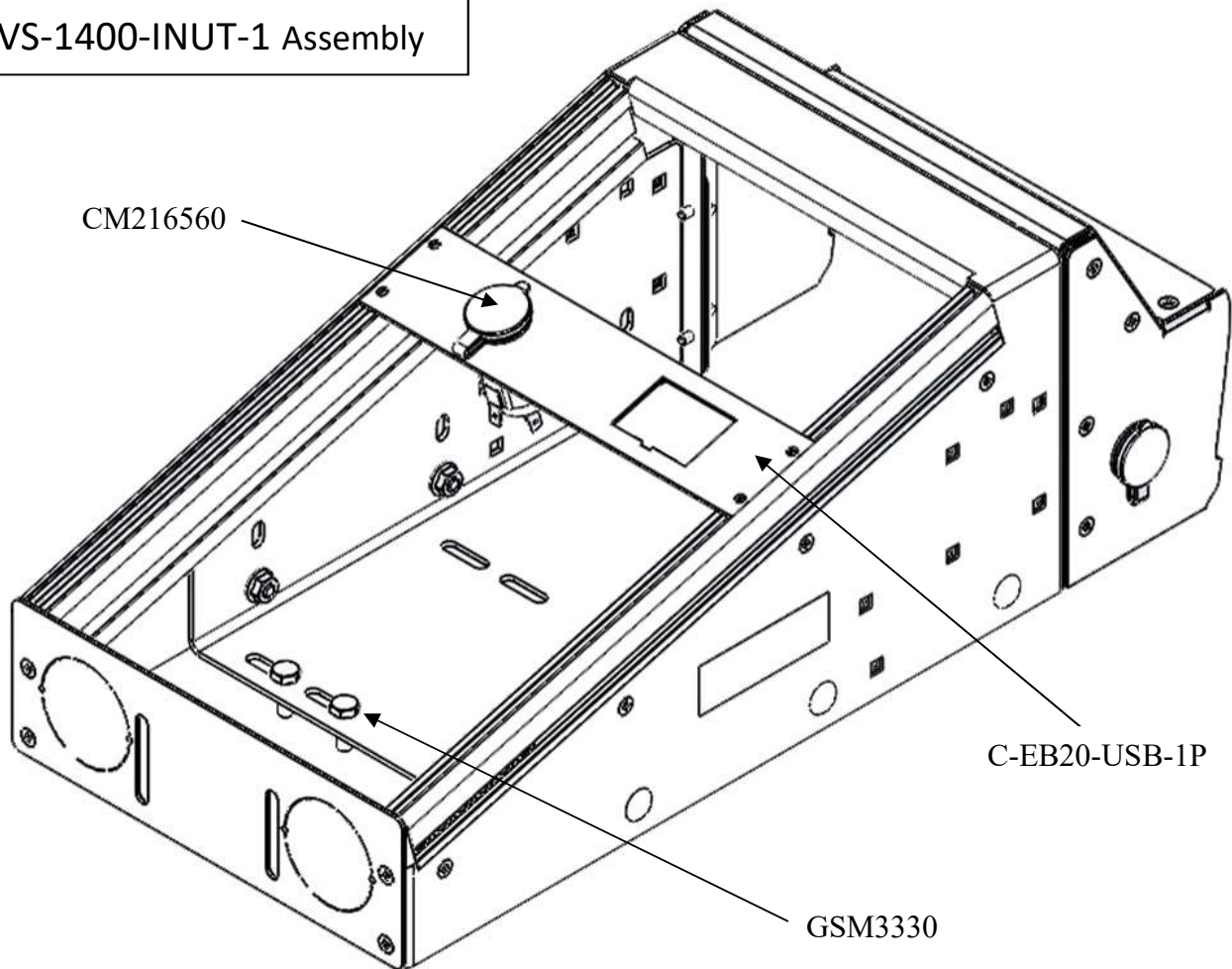
**TOOLS REQUIRED:**

Cordless drill                      Drill bit set                      Standard socket set                      Marker

**PARTS and MOUNTING HARDWARE:**

<u>QTY</u>	<u>DESCRIPTION</u>	<u>PART#</u>	
1	Forward center trim panel	CM009351	(shipped installed on console)
1	Driver side trim panel	CM009352-DS	(shipped installed on console)
1	Passenger side trim panel	CM009352-PS	(shipped installed on console)
8	1/4" x 3/4" Self-threading bolts	GSM33300	
1	USB & 12v socket relocation plate	C-EB20-USB-1P	
2	12 volt socket with rubber cap	CM216560	(one shipped installed on console)

C-VS-1400-INUT-1 Assembly



**Always!**

- Read all instructions before installing any Havis, Inc. products.
- **Check for obstructions (Wires, brake lines, fuel tank, etc.) before drilling any holes!**
  - Use hardware provided with install kit



View of Interceptor Utility before install



Place console on OEM tunnel plate. Slide tight to the dash.



Mark the tunnel plate using a pencil or marker.

**NOTE:** Do not mark or drill through the "No Drill Zone" that is indicated on the OEM tunnel plate.



Drill out marked holes using a #7 or 13/64" drill bit.



Reinstall console and attach using four (4) 1/4" x 3/4" self-threading bolts.



Wire and install equipment as needed. Installation is now complete.