

# INSTALLATION INSTRUCTIONS C-VS-1300-MSTG

## Vehicle specific console for the 2021-2023 Ford Mustang Mach E

### TOOLS REQUIRED:

Panel removal tool

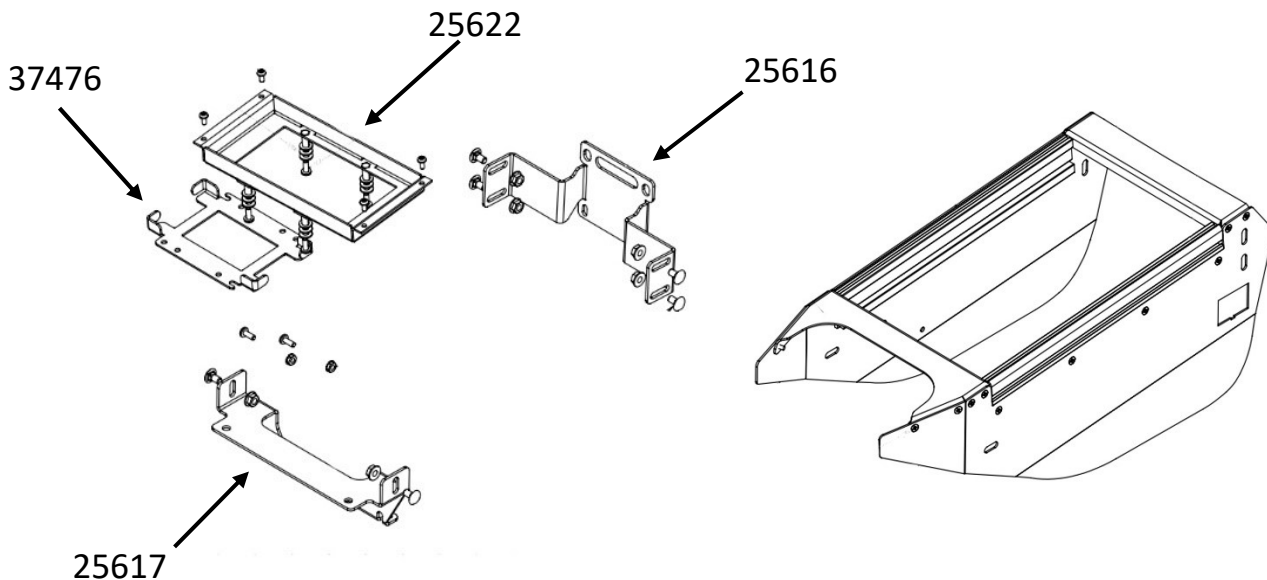
Standard Socket set

Metric Socket set

T-20 Torx bit

### **PARTS and MOUNTING HARDWARE:**

<u>QTY</u>	<u>DESCRIPTION</u>	<u>PART#</u>
1	Front mounting bracket	25616
1	Rear mounting bracket	25617
1	Wireless charger bracket	25622
1	Wireless charger adaptor bracket	37476 (Not needed for 2021 model year)
1	Console extrusion nuts kit	25520
4	#8 x 3/8" console screws	13405
6	1/4" x 1/2" Carriage bolt	16122
6	1/4" Serrated nuts	16013
2	10-32 Keps nuts	16017
12	#10 Flat black washer	16120
6	10-32 x 1/2" Machine screw	16399





View of Mustang Mach E prior to install



Remove shifter and emergency brake pad by gently pulling up from the front.



Unsnap and remove top of center storage area.



Unscrew wireless phone charger from underside of center storage area.



Remove AUX panel



Remove all remaining modules and harness from lower center storage area





Remove (4) OEM fasteners from rear of lower, center storage area.



Unsnap trim from upper section or lower, center storage area and remove (4) OEM fasteners.



Remove lower, center storage area.



Attach the rear mounting bracket using previously removed OEM fasteners.



Attach the front mounting bracket using previously removed OEM fasteners.



Place console over mounting brackets and attach to the rear bracket using 1/4" x 3/4" carriage bolts and serrated nuts.





Attach to the front bracket using 1/4" x 3/4" carriage bolts and serrated nuts.



Plug in shifter and emergency brake. Snap shifter plate back into the center console.



Install previously removed AUX panel into side of console and plug in.



Install key sense module on side of console using supplied #10 hardware. **Double check keyless function after everything is installed. Relocation of sensor to central forward location may be required for proper reception.**



Place OEM wireless charger into rear of charger faceplate and bracket. Attach adaptor bracket with 10-32 x 1/2" screws to hold charger in. Install assembly into console.



Wire and mount all equipment. Installation is now complete.