

INSTALLATION INSTRUCTIONS C-VS-1210-INUT

22" Console for 2020-2022 Ford Interceptor Utility

TOOLS REQUIRED:

Phillips Screw Driver
 Metric Socket Set

Standard Socket Set
 Wire Cutters

T-20 Torx Bit
 Wire Crimping Tool

PARTS and MOUNTING HARDWARE:

<u>QTY</u>	<u>DESCRIPTION</u>	<u>PART#</u>
1	Rear floor mounting bracket	CM009301-1
1	Driver side front mounting bracket	CM010463-DS
1	Passenger side front mounting bracket	CM010463-PS
1	Lower front cross support	CM010464
1	Upper front cross support	CM010465
1	Parking brake relocation bracket	CM010469
17	1/4" Serrated flange nuts	GSM30023

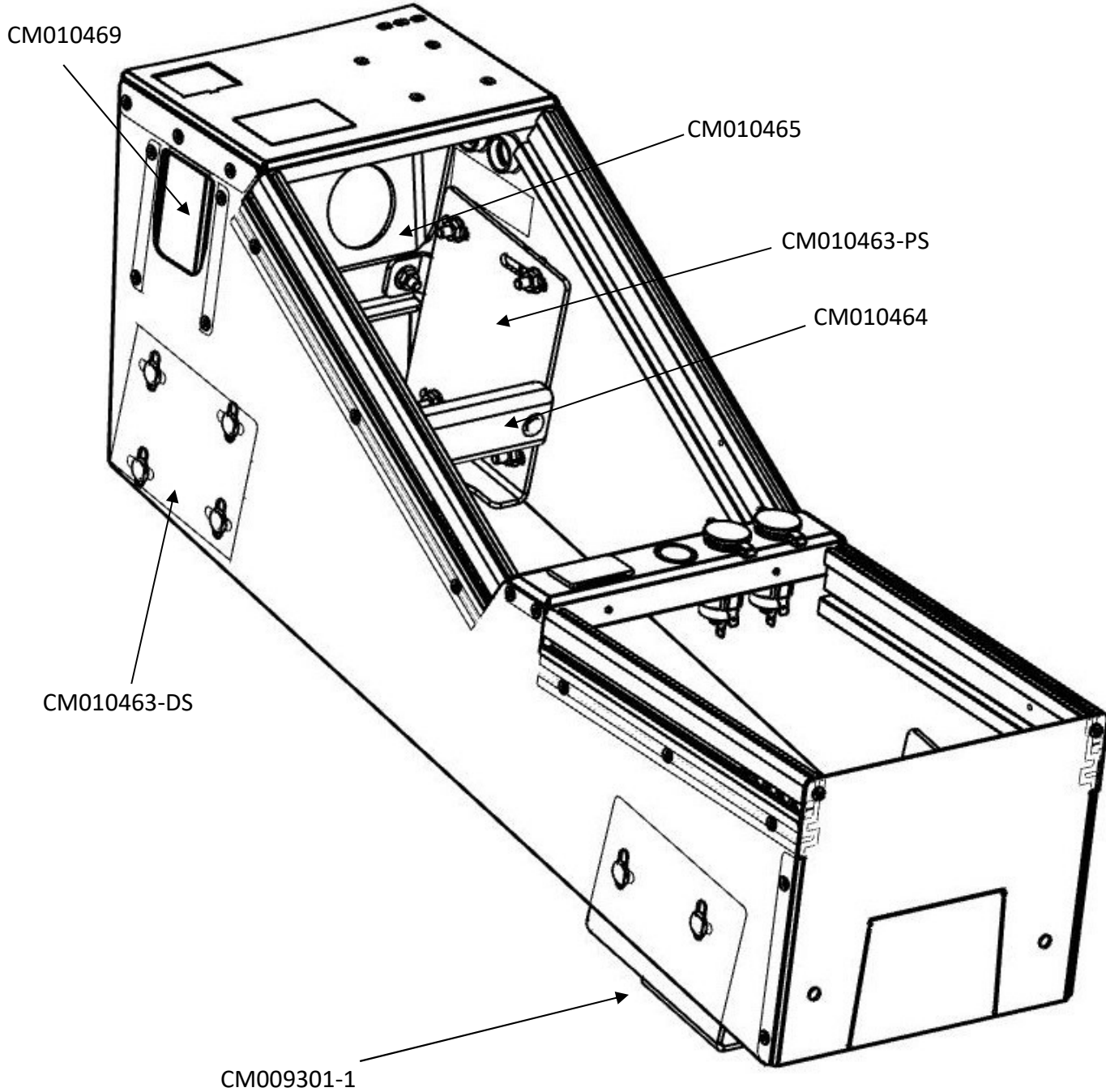
C-HK-351

17	1/4" Serrated nut	GSM30023
17	1/4" x 3/4" Carriage bolts	GSM32000
3	10-32 Keps nut	GSM30028
3	10-32 x 3/4" Machine screws	GSM33119
4	#8 x 1/4" Flat head screws	GSM33178

Always!

- Read all instructions before installing any Havis, Inc. products.
- **Check for obstructions (Wires, brake lines, fuel tank, etc.) before drilling any holes!**
 - Use hardware provided with install kit

C-VS-1210-INUT Assembly





View of Intercepter Utility before install



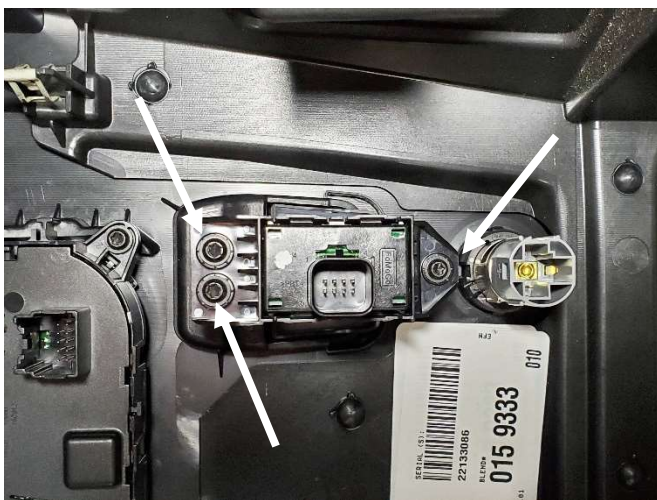
Remove OEM tunnel plate by removing rear nuts.
Front nuts only have to be loosened.
The OEM track is slotted at the front. (10mm socket)



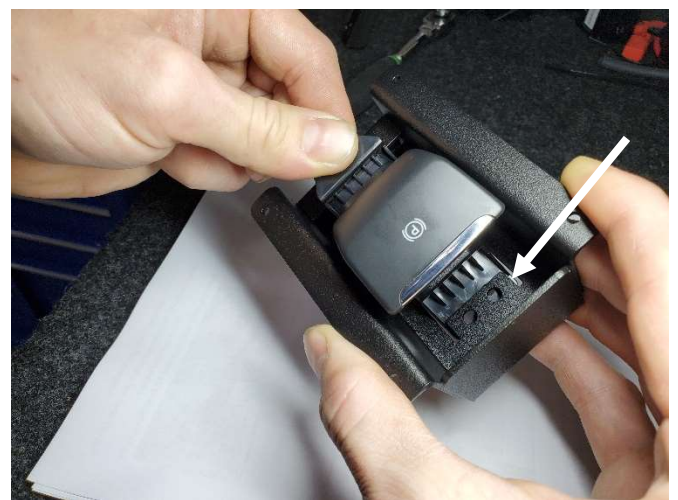
Remove fasteners on sides of lower trim.
(7mm)



Remove lower dash trim by carefully pulling it
towards the rear of the vehicle.



Remove OEM electronic parking brake switch, 12 v
socket and USB retaining bracket. (T-20 fasteners)
Re-install trim and OEM fasteners into dash.



Install previously removed parking brake switch into
supplied relocation bracket. Angle the section with
the two holes under the lip of the bracket.



While pushing the brake switch forward, slide the rear of the switch under the lip of the bracket and lineup the holes.

It is important to make sure the plastic flange of the switch is under the metal tab of the bracket.



Attach switch to bracket using (3) 10-32 x 3/4" screws and Keps nuts.



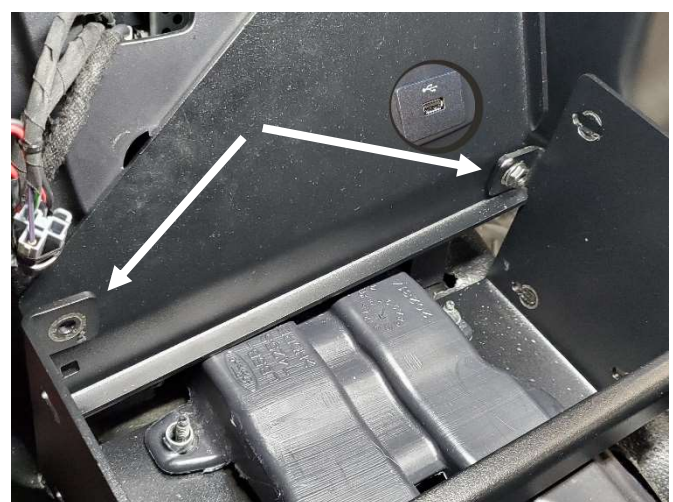
Attach brake switch bracket to console using (4) #8 x 1/4" flat head screws.



Confirm correct operation of parking brake assembly.



Loosen OEM nuts from front ductwork. (10mm socket) Slide front mounting brackets under ductwork from the sides onto OEM studs. **Note: Make sure brackets are below plastic vent and sitting on top of metal floor.**



Attach front upper and lower cross supports to mount brackets with 1/4" x 3/4" Carriage bolts and serrated nuts.



Retighten OEM ductwork nuts and bracket hardware.



Attach rear mounting bracket to floor studs using previously removed OEM nuts. (10mm socket)



Place console over previously installed brackets and attach with carriage bolts and serrated nuts. Ensure console is tight to dash. Tighten all hardware.



Relocate OEM USB module into top of console. Wire and install equipment as needed.



Views showing optional C-MD-119, KB-108 and KBM-201 with C-DMM-3015 and TSD-101.