

## INSTALLATION INSTRUCTIONS C-VS-1209-TSLA

### 2016-2022 TESLA Model S and Model X

## Vehicle Specific Console with 21” inches of Equipment mounting space

#### TOOLS REQUIRED:

- Metric Socket set
- T20 & T25 Torx driver
- Trim panel removal tool
- Standard Socket set
- Wire cutters / strippers

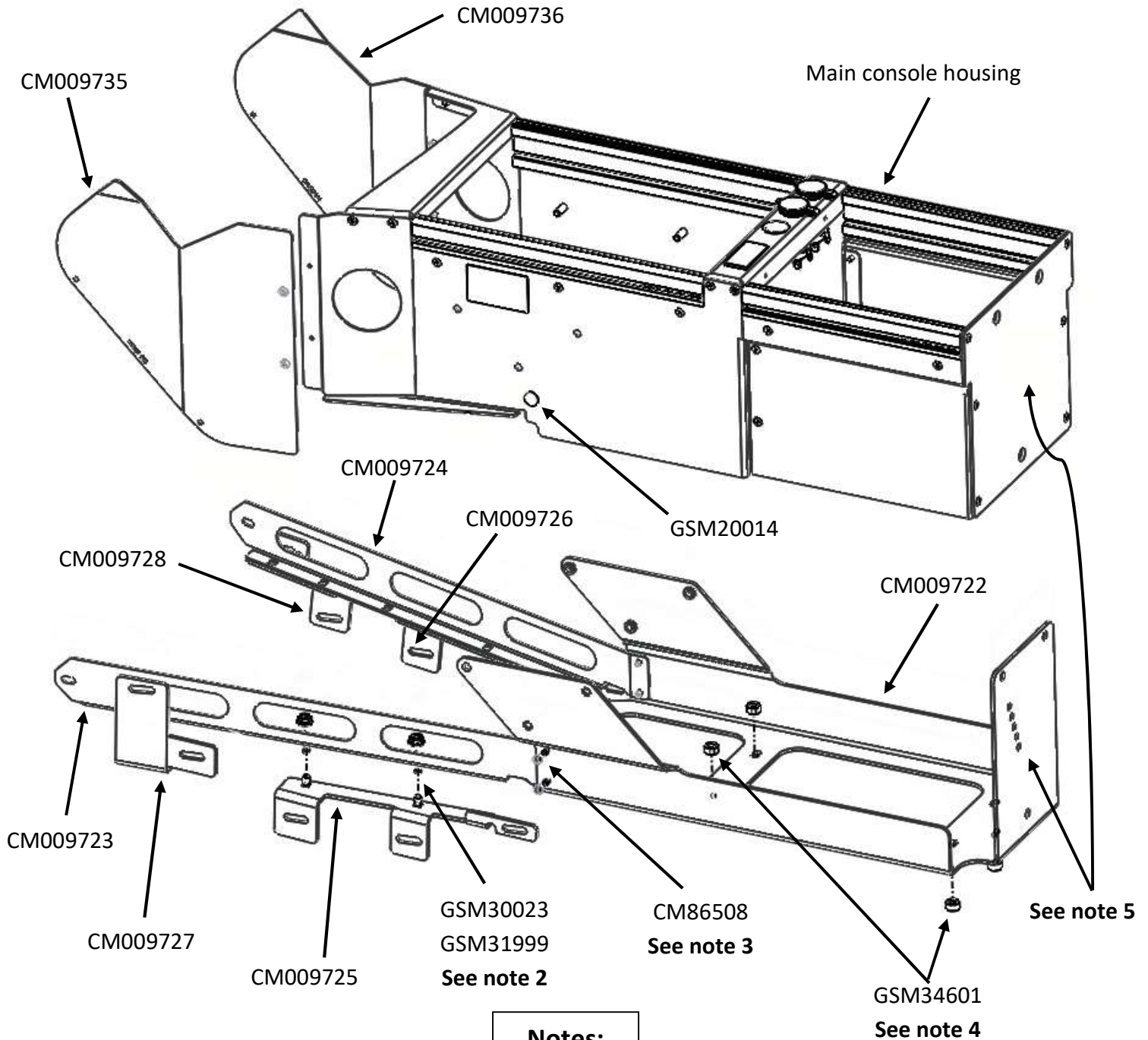
#### PARTS and MOUNTING HARDWARE:

<u>QTY</u>	<u>DESCRIPTION</u>	<u>PART#</u>
1	Main Console housing assembly	
1	Main Floor bracket	CM009722
1	DS Trim mount rail	CM009723
1	PS Trim mount rail	CM009724
1	DS Lower trim mount bracket	CM009725
1	PS Lower trim mount bracket	CM009726
1	DS Upper trim mount bracket	CM009727
1	PS Upper trim mount bracket	CM009728
1	DS Trim panel	CM009735
1	PS Trim panel	CM009736
8	#8 X 3/8 PHSMS Torx screw	CM86508
8	1/4-20 Hex flange nut	GSM30023
8	1/4-20 x 1/2" Carriage bolt	GSM31999
4	1/2"OD x .252" ID x 1/4" long spacer	GSM34601
2	1/2" Hole plug	GSM20014

### Always!

- Read all instructions before installing any Havis, Inc. products.
- Use hardware provided with install kit

**C-VS-1209-TSLA assembly**



**Notes:**

1. Main console housing and floor bracket will be shipped pre-assembled. Trim panel mount bracket parts must be attached to floor bracket prior to installation. This can be done with floor bracket attached to housing.
2. Attach upper and lower trim mount brackets to trim mount rails with 1/4" x 1/2" carriage bolts and nuts.
3. Attach trim mount rails to main floor bracket with #8 X 3/8 Torx screws. Insert hole plug when assembled.
4. GSM34601 spacers are used with OEM floor mount hardware. Middle spacers mount on top of floor bracket and rear spacers mount under floor bracket.
5. Arm rest C-ARM-108 will bolt to floor bracket and rear console panel. Rear panel will need to be drilled.



Carefully remove (unsnap) side trim panels. Pull down to unsnap lower dash storage pocket and remove. Remove Torx screw behind pocket location.



Unbolt OEM console housing from under dash supports. OEM bolts will be reused. Trim rails will attach to dash supports.



Attach C-VS-0909-TSLX console housing with brackets to OEM mounting points with previously removed OEM hardware. **See Note 4**



Remove (unsnap) armrest rear trim panel and unbolt armrest assembly from floor. Unsnap top forward console parts, unbolt and remove. **Note:** Detach OEM harness from console, but leave plugs connected.



Unbolt OEM console housing from floor and remove the complete assembly. OEM floor mount hardware to be reused.



Snap OEM side trim panels onto console brackets. Attach console trim panels with #8 X 3/8 Torx screws. Wire and install equipment as desired to complete control console installation as desired.