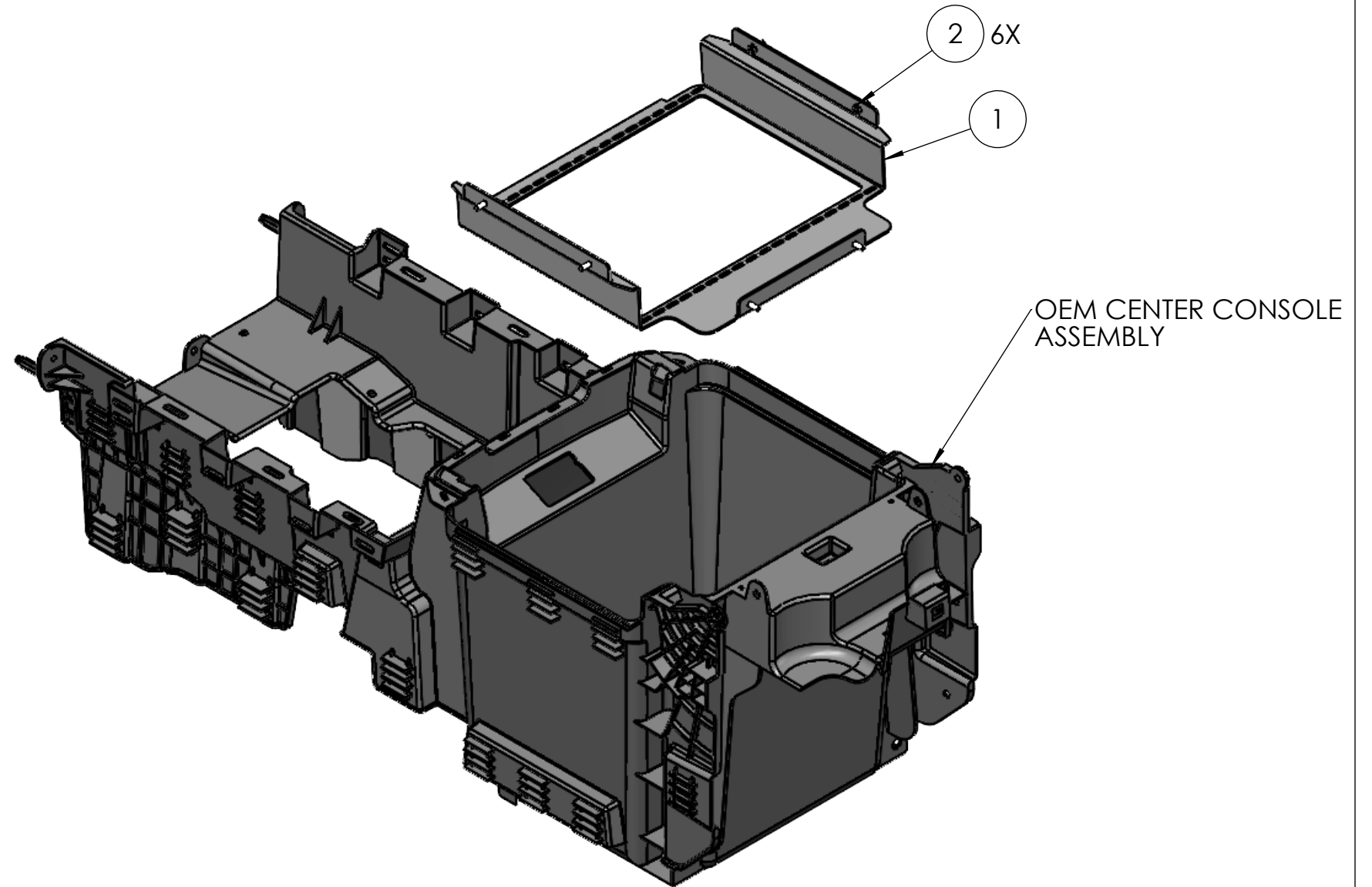


INSTALLATION INSTRUCTIONS:

1. DROP INTERNAL CONSOLE INTO THE POCKET AS SHOWN (10-011499), IT WILL SELF ALLIGN.
2. MARK THE MOUNTING HOLES (6 EACH).
3. USING 1/8" DRILL BIT, MAKE HOLES FOR SCREW ATTACHMENT.
4. USING SUPPLIED HARDWARE (GSM33188) (6 EACH) SECURE INTERNAL CONSOLE INTO THE OEM CENTER CONSOLE.

TOOLS REQUIRED:

1. Phillips Screwdriver
2. Drill and 1/8" drill bit



HARDWARE KIT CONTENTS:

PART NUMBER	ITEM NO.	QTY.	DESCRIPTION
24585	1	1	CONS, INTERNAL, 11" HOUSING, TAHOE
16432	2	6	SCREW #8 X 1/2 PPHSMS TYPE AB ZP

WARNING: ALL HAVIS INC. PRODUCTS ARE DESIGNED WITH SAFETY OF USE AND INSTALLATION IN MIND. HOWEVER, IT IS THE SOLE RESPONSIBILITY OF THE OWNER/OPERATOR OF A VEHICLE USING HAVIS INC. MOUNTING AND DOCKING EQUIPMENT, TO INSURE THAT THE EQUIPMENT IS INSTALLED SO THAT IT WILL NOT INTERFERE WITH VEHICLE OPERATION, INTERFERE WITH SAFETY DEVICES, OBSTRUCT VIEW OF DRIVING CONDITIONS, OR IN ANY WAY DEGRADE OCCUPANT SAFETY. IMPROPER INSTALLATION CAN CAUSE SERIOUS INJURY IN THE EVENT OF AN ACCIDENT. INSTALLATION SHOULD ONLY BE PERFORMED BY QUALIFIED PROFESSIONALS. COMPUTERS AND MOTION DEVICES MUST BE MOVED TO AND STOWED/SECURED IN THEIR SAFE DRIVING POSITIONS BEFORE OPERATING VEHICLE.

DRAWING NO.
C-VS-1100-GMC-2-INST

PRODUCT DESCRIPTION
**ASSEMBLY INSTRUCTIONS,
11" CONS, INTERNAL, TAHOE**

HAVIS
1-800-524-9900
WWW.HAVIS.COM

WEIGHT: (LBS)
7.269

REV. DATE
4-20