

INSTALL INSTRUCTIONS C-VS-1012-TAH-1
2021-2022 Chevy Tahoe Police Pursuit Vehicle (PPV)
Vehicle Specific Console (9" inches wide)
22" inches of Equipment mounting space

Not applicable when the full size, OEM console is ordered. HVAC controller is different size.

TOOLS REQUIRED:

Phillips Screw Driver	Standard Socket set	T-20 Torx Bit
Metric Socket set	12mm x 1.75 Tap	

PARTS and MOUNTING HARDWARE:

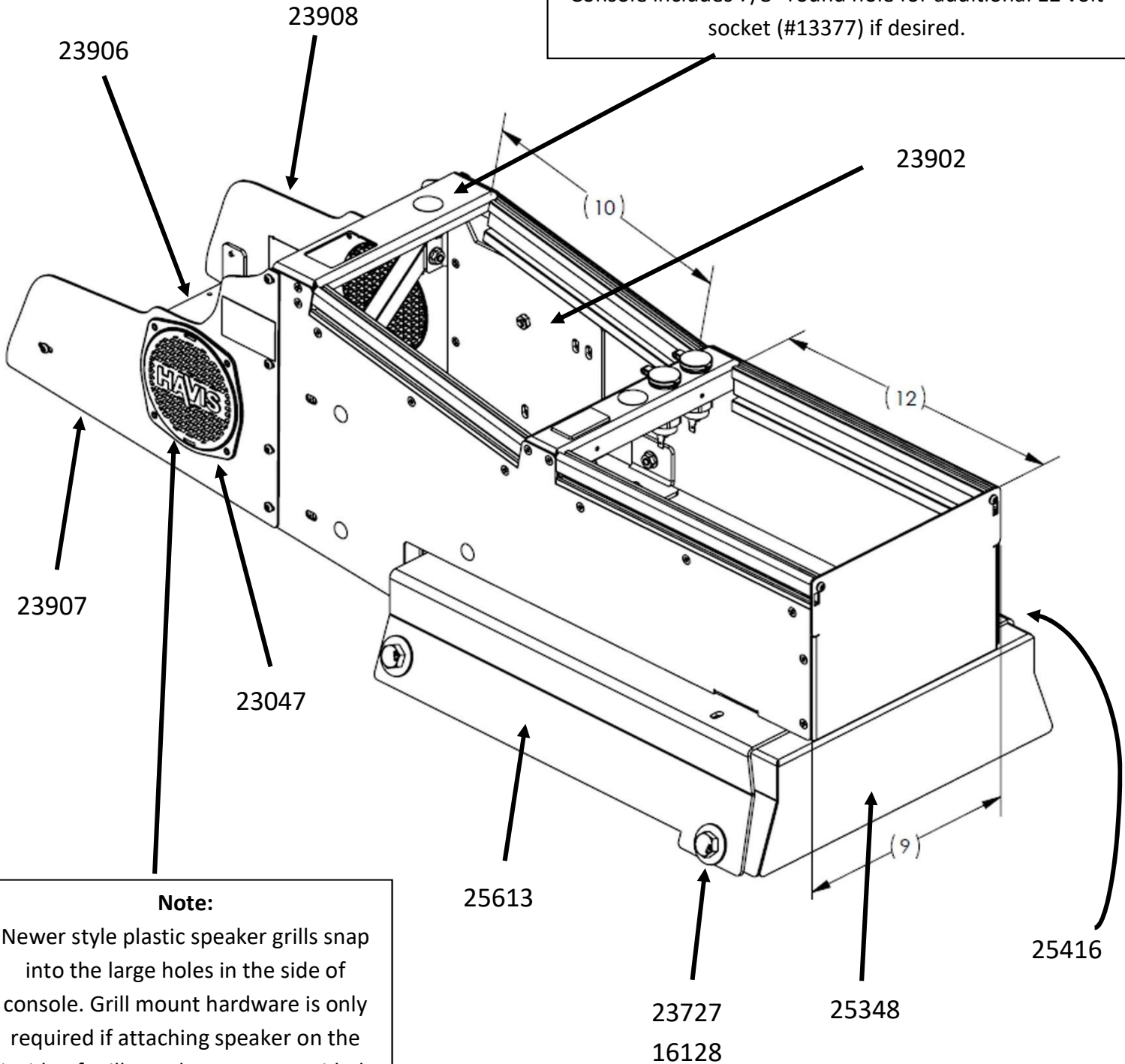
<u>QTY</u>	<u>DESCRIPTION</u>	<u>PART#</u>
1	Main console housing	
1	Equipment mounting tray	23906
1	Main forward support bracket	23902
1	DS Trim panel	23907
1	PS Trim panel	23908
1	DS Floor mounting bracket	25613
1	PS Floor mounting bracket	25416
1	Lower rear trim panel	25348
12	1/4-20 Hex Nut	15997 OR 1 - 25520 (includes 12 nuts)
6	1/4-20 Hex serrated flange nut	16013
4	M12 - 1.75 x 20mm Bolt	23727
4	7/16" Flat washer	16128
10	#8 x 3/8" T-20 Torx screw	13405
2	1/4" Flat washer	16122
2	1/4" Split lock washer	16142
2	1/4" x 1/2" Carriage bolt	16222
4	1/4" x 3/4" Carriage bolt	16223
2	1/4" x 1/2" Bolt	16325
2	Speaker grill	23047
2	7/8" Dome plug	13401

Always!

- Read all instructions before installing any Havis, Inc. products.
- Use hardware provided with install kit

C-VS-1012-TAH-1

Havis recommends that customers DO NOT relocate the OEM 12V socket from the dash into the metal console housing for 2021 Chevrolet Tahoe consoles, as improper installation may cause an electrical short.
(RE: GM Bulletin No. PIT5800)
Console includes 7/8" round hole for additional 12 volt socket (#13377) if desired.



Note:
Newer style plastic speaker grills snap into the large holes in the side of console. Grill mount hardware is only required if attaching speaker on the inside of grill. Hardware not provided.
Recommended Hardware: (4x) #8 Keps nuts, (4x) 8-32 x 3/4" screws



View of Tahoe prior to installation.



Remove covers on lower, forward sides of OEM center seat.



Remove OEM bolts.



The rear bolts are obstructed by the seat rail.



To remove console bolts, the seat will need to be unbolted and shifted out of the way.

Repeat process for both sides.



We highly recommend bolting seats back in after console is installed. This makes installation much easier.



Place floor mounting brackets over holes in floor and attach using M12 x 1.75 bolts and 7/16" flat washers.

Note: You must use a 12mm x 1.75 tap to thread holes on PPV without OEM center seat or console.



Level driver and passenger side brackets and loosely attach floor mount hardware.



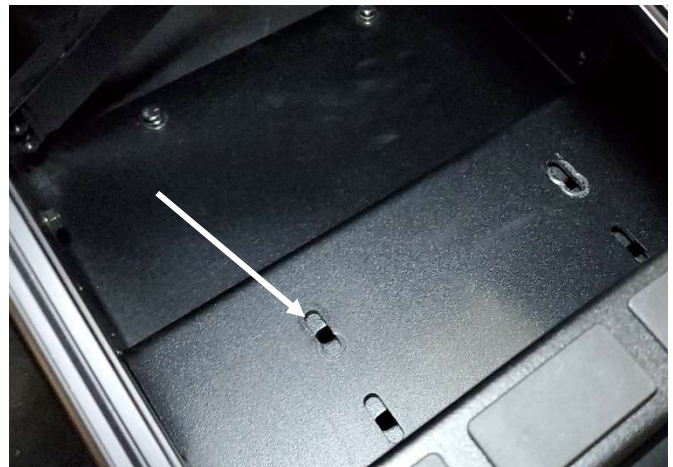
OEM aux panel must be removed from OEM lower dash.



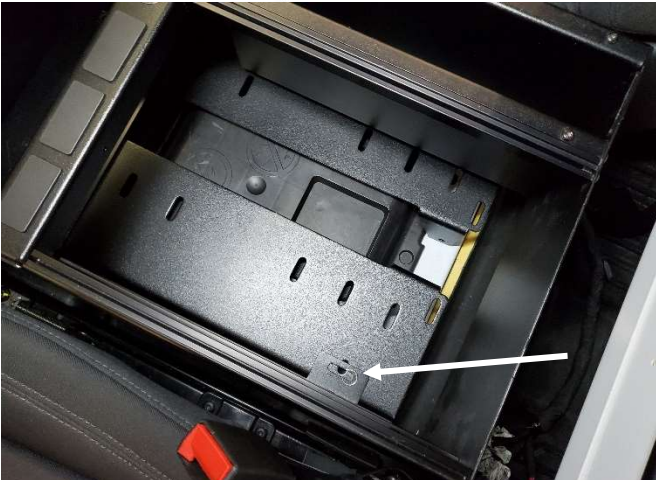
Pull harness out of dash and unplug components.



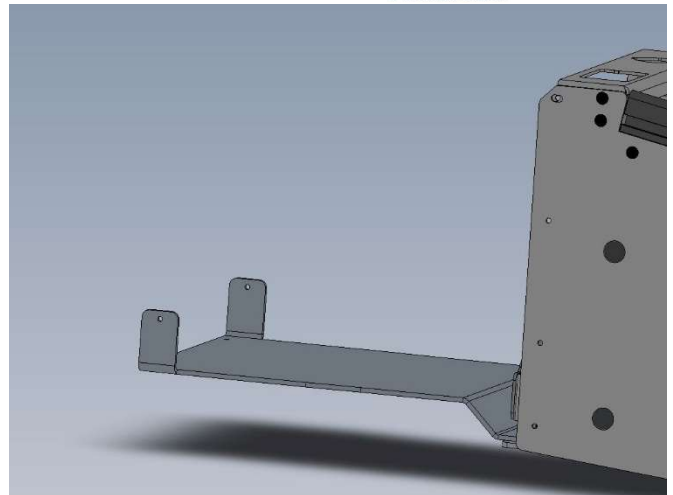
Place console housing with forward support bracket onto floor mounting brackets and slide housing toward dash.



Loosely attach forward support bracket to floor brackets with 1/4" x 3/4" carriage bolts and serrated nuts.



Loosely attach rear console housing and lower rear trim panel to floor brackets with 1/4" x 3/4" carriage bolts and serrated nuts.



Place forward equipment mounting tray in front of console.



Loosely attach tray to support bracket using (2) 1/4" x 1/2" bolts, split lock washers, and flat washers.

Install and plug in factory AUX module and supplied 7/8" dome plug.



Attach forward side filler panels to console and equipment mounting tray using #8 x 3/8" Torx screws. Tighten all mount hardware. Install OEM 120 volt socket into passenger side panel.

Snap speaker grills into panels.

Note: Grill mount holes and screws are only needed if adding speaker.



Install equipment into console.



Bolt seats back into vehicle.

Installation is now complete.