

## INSTALLATION INSTRUCTIONS C-VS-1000-BOLT

### Vehicle Specific console for

### 2017 - 2022 Chevrolet EV Bolt and 2022 EUV Bolt

**TOOLS REQUIRED:**

Phillips Screw Driver                      Standard Socket set                      Metric Socket set                      T-20 Torx bit  
 Panel removal tool

**PARTS and MOUNTING HARDWARE:**

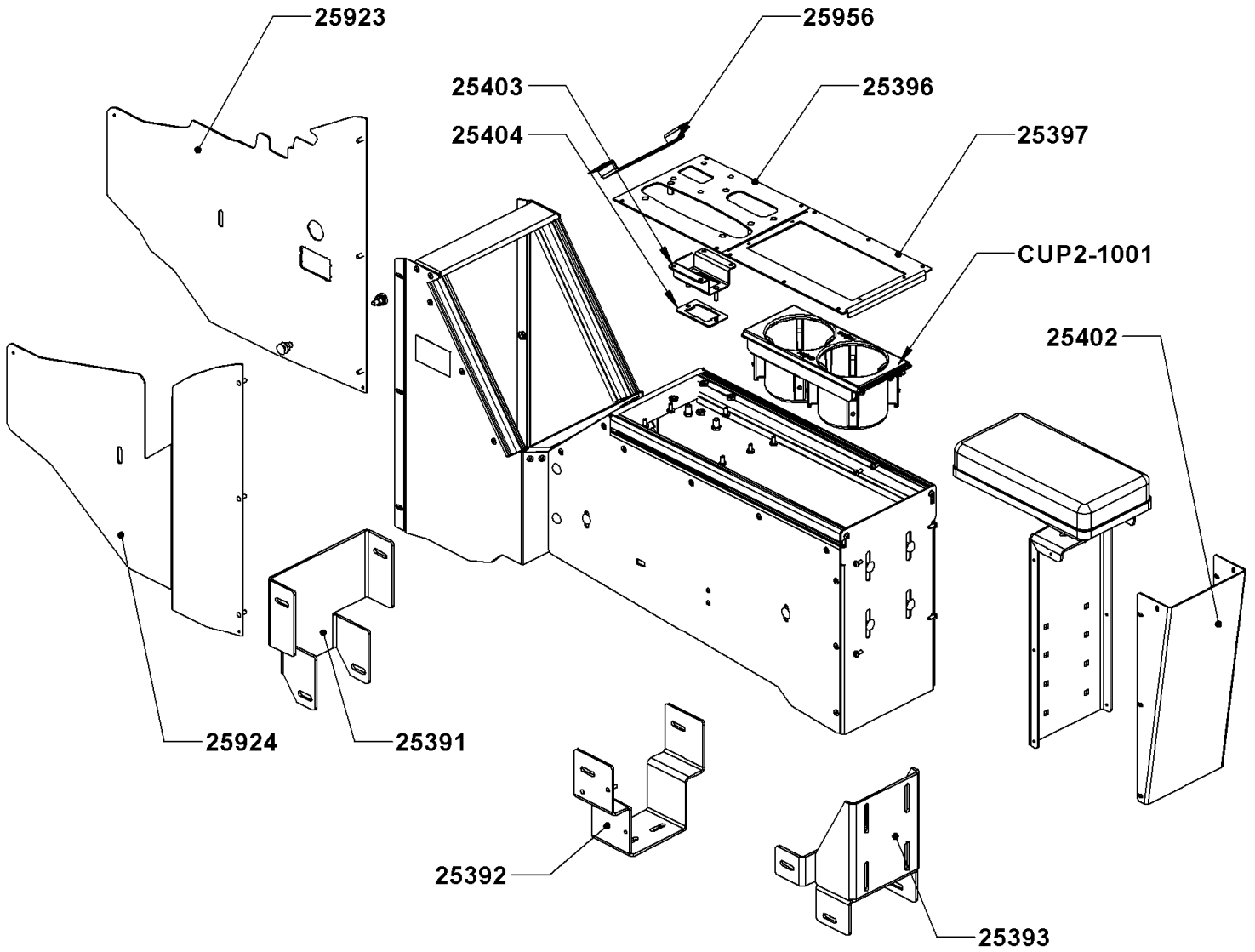
<u>QTY</u>	<u>DESCRIPTION</u>	<u>PART#</u>
1	FRONT MOUNTING BRACKET	25391
1	MID MOUNTING BRACKET	25392
1	REAR MOUNTING BRACKET	25393
1	SHIFTER BRACKET	25396
1	CUPHOLDER BRACKET	25397
1	ARMREST COVER BRACKET	25402
1	PARKING BRAKE BRACKET	25403
1	PARKING BRAKE SPACER	25404
1	OEM TRACTION CONTROL BRACKET	25956
1	DRIVER SIDE TRIM PANEL	25923
1	PASSENGER SIDE TRIM PANEL	25924
1	CUPHOLDER	CUP2-1001

**HARDWARE KIT**

1	O RING #28	23537
2	UNTHREADED SPACER	25973
8	#8 TORX HEAD CONSOLE SCREW	13405
1	EXTRUSTION NUT KIT	25520 (includes 12 – 1/4-20 hex nuts)
1	WIRE TIE 6"	15814
16	1/4-20 SERRATED NUT	16013
3	8-32 KEPS NUT	16016
14	10-32 KEPS NUT	16017
2	M6 x 1.0 NUT	16104
2	1/4-20 WASHER	16122
16	1/4-20 X 3/4" HHCS	16223
2	8-32 X 3/4" MACHINE SCREW	16393
6	10-32 X 3/8 MACHINE SCREW	16398
1	SPACER .312 OD X .156" L	16730

**Always!**

- Read all instructions before installing any Havis, Inc. products.
- Use hardware provided with install kit





View of Bolt interior prior to install.



Remove cover and plug from lower driver and passenger side panel. Unbolt the 10mm OEM fastener and set aside.



Unclip and remove both driver and passenger side panels.



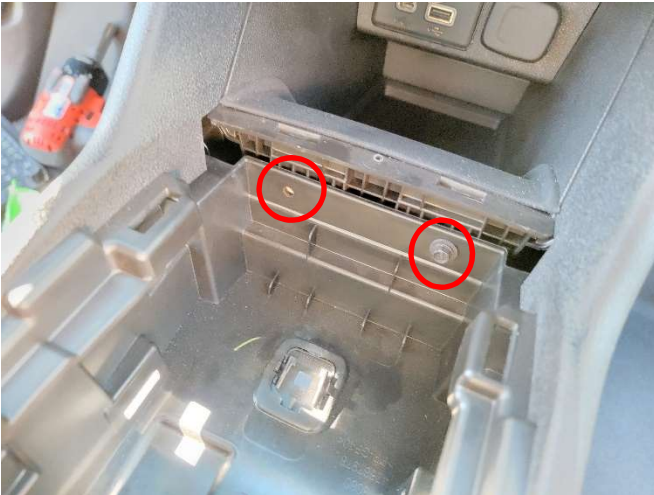
Unbolt the rear 10mm OEM fasteners and set aside.



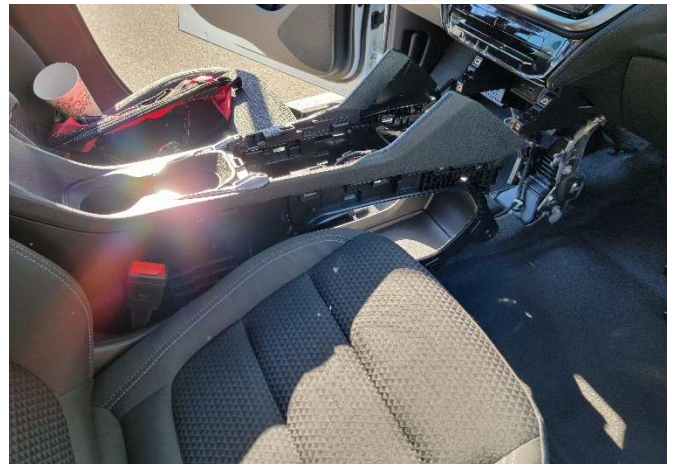
Unbolt the (2) 10mm OEM fasteners on the exposed plastic structure and set aside



Remove center shifter plate by gently prying from the rear and lifting up. Unplug all harnesses from OEM modules.



Remove (2) OEM forward bolts.



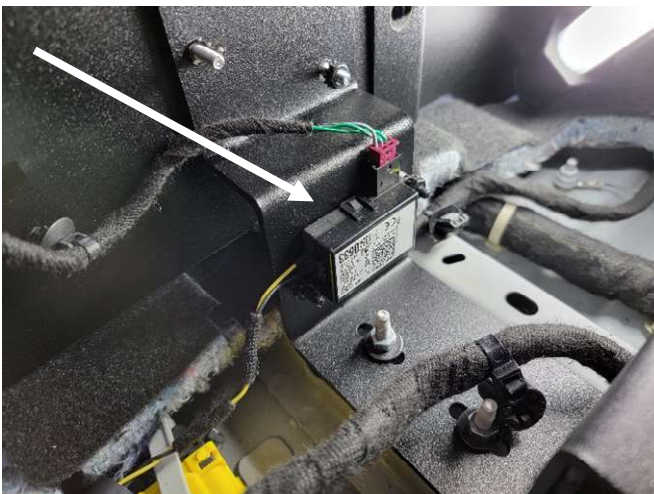
Console should now slide back. Carefully remove console while disconnecting any OEM wires as necessary.



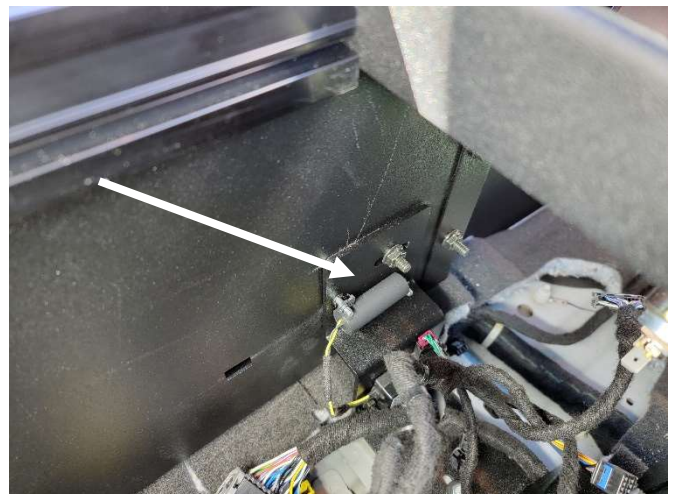
Remove the (4) OEM equipment tray bolts shown.



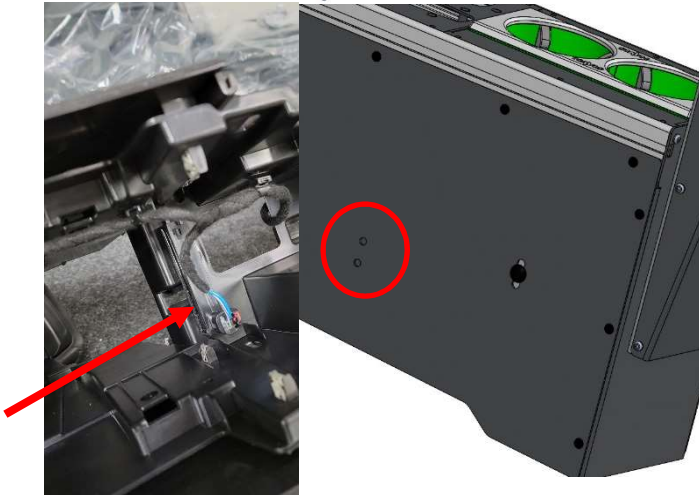
Remove OEM modules from under side of OEM console



Attach OEM module to middle mounting bracket 25392 using (1) 16730, (2) 16393 & (2) 16016.



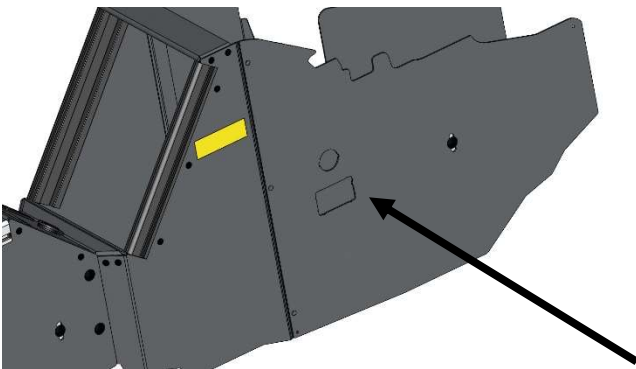
Attach OEM tubular module to middle mounting bracket 25392 using (1) 16016.



Unsnap OEM thin rectangular module and attach to the inside of the driver's side panel using 15814 wire tie.



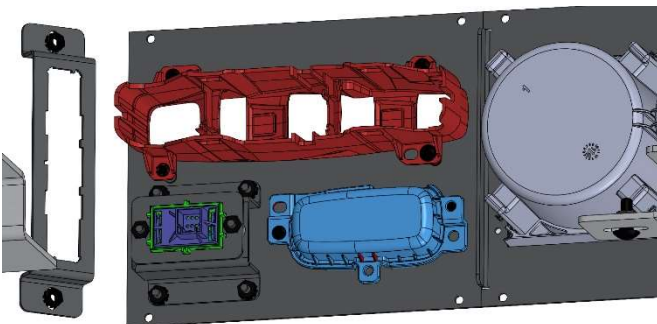
Remove OEM lighter plug and USB. This can be done with a trim tool from the front of the console.



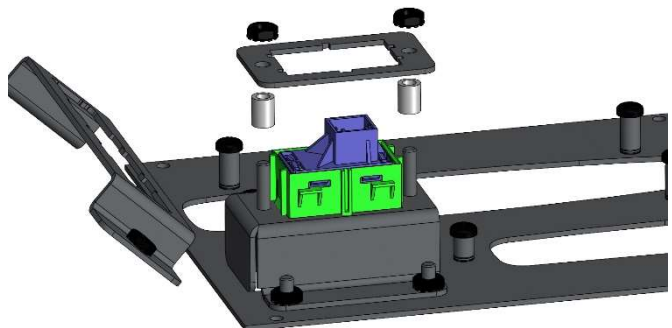
Slide O-ring 23537 over USB module. Insert USB and lighter plug modules into holes provided in passenger side trim panel 25924.



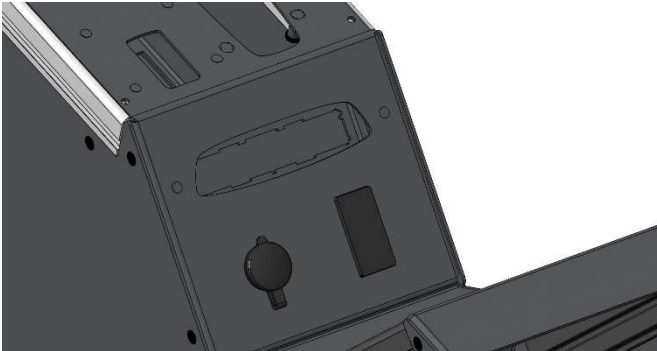
Remove all OEM modules from top trim piece: Traction control, shifter, parking brake and coin tray.



Attach OEM shifter and coin tray to 25396 shifter bracket using (6) 16398.



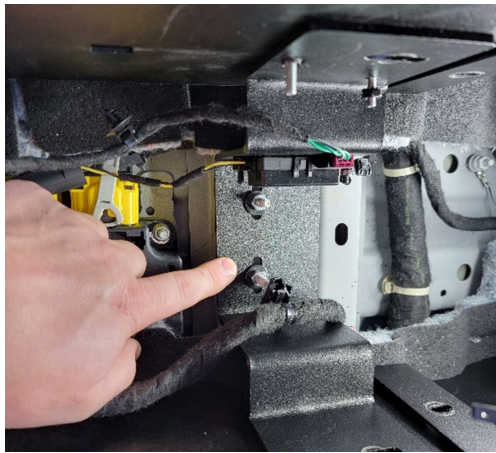
Attach OEM parking brake to 25403 using (2) 25973, (2) 25404 & 16017. Take whole assembly and attach to 25396 shifter bracket using (4) 16017.



Loosely attach 25956 traction control bracket to main console housing using (2) 16017. Insert OEM traction control and tighten bracket ensuring buttons function.



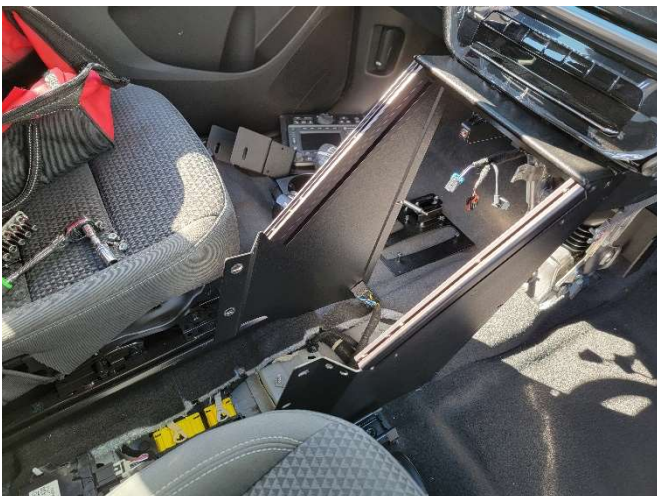
Insert rear bracket 25393 onto OEM mounting point and loosely tighten.



Insert mid bracket 25392 onto OEM studs ensuring correct orientation. Loosely attach with (2) 16122 & (2) 16104.



Remove OEM hardware and save. Insert front mounting bracket 25391 onto the OEM mounting point ensuring it sits between the two OEM pieces. Loosely attach OEM hardware



Slide front console housing into place, being careful of the OEM dashboard.

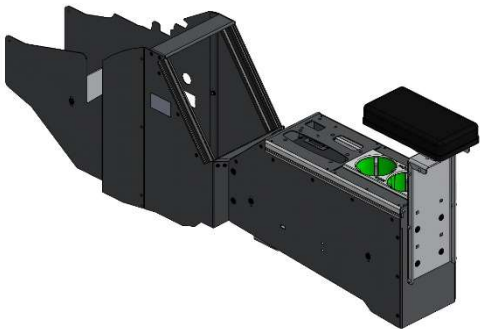


Slide rear console housing into place and loosely attach to front console housing mid and rear mounting brackets using (10) 16013 & (10) 16223.

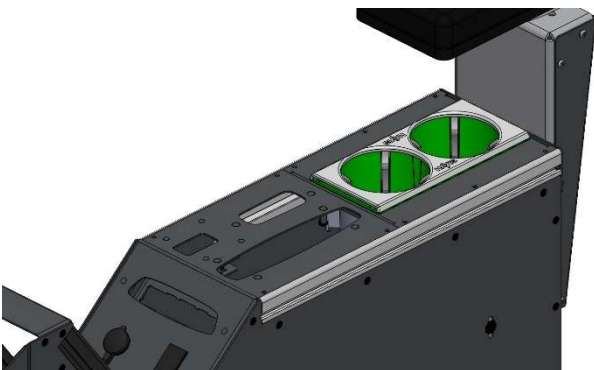


Loosely attach armrest to the rear bracket through the rear console housing using (4) 16013 & (4) 16223.

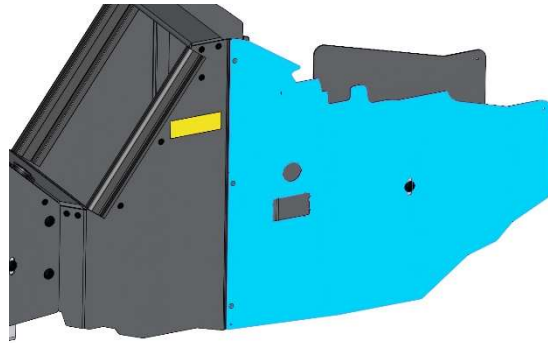
**Note:** There are two possible height locations.



Tighten all hardware after console is in the desired position.



Plug in all modules. Install shifter bracket 25396 and cup holder bracket 25397 on console using (10) 13405 T-20 Torx screws



Loosely attach driver side 25923 and passenger side trim panel 25924 to front console housing using (6) 16017. Attach to front mounting bracket using (2) 16013 & (2) 16223.



Attach armrest cover bracket 25402 using (8) 13405.



Installation is complete