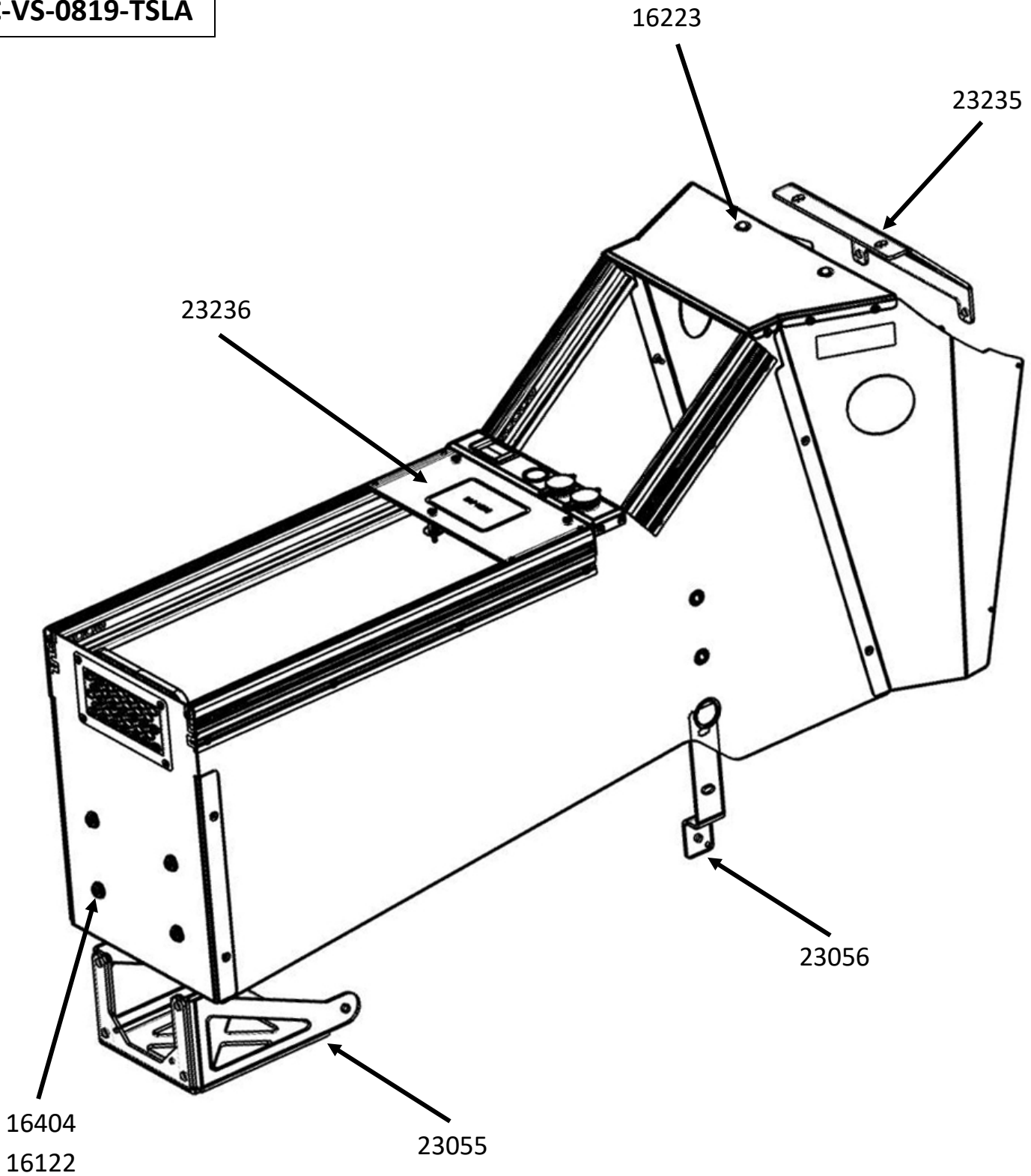




**C-VS-0819-TSLA**





View of Tesla Model 3 prior to install



Remove carpeted side trim from side of center console.



Remove (2) 10mm head bolts.  
*(Repeat for other side)*



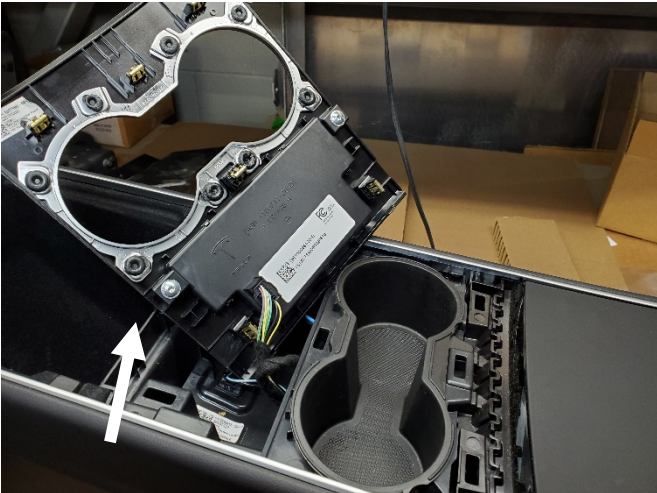
Remove trim cover from rear of center console housing. Unplug connector, and remove (2) T-20 Torx head screws.



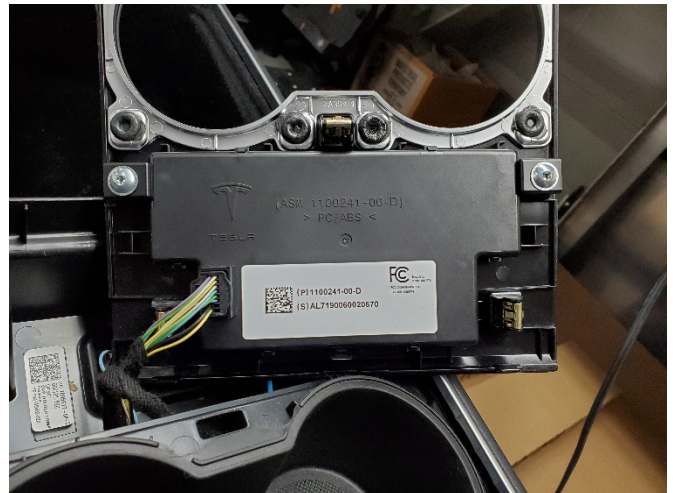
Remove (2) 10mm head bolts from rear, sides of console.



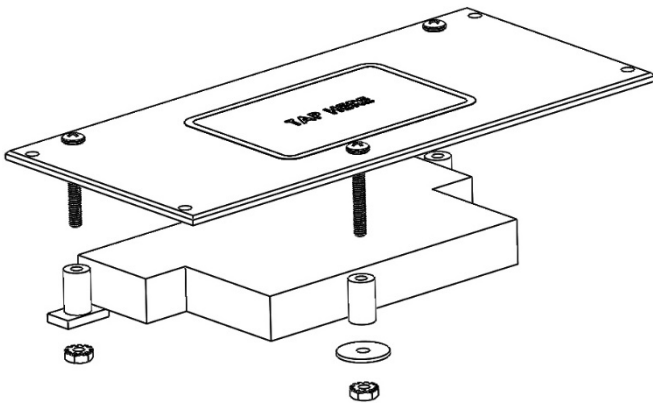
Unplug harnesses as needed and remove center console from vehicle.



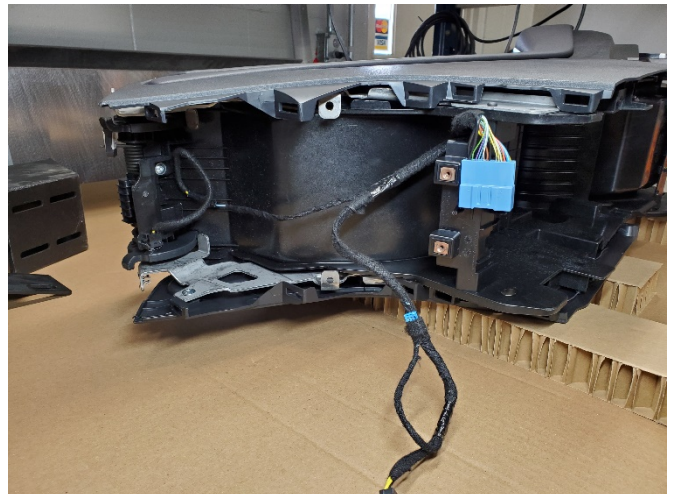
On workbench, gently pry up center trim around cup holder.



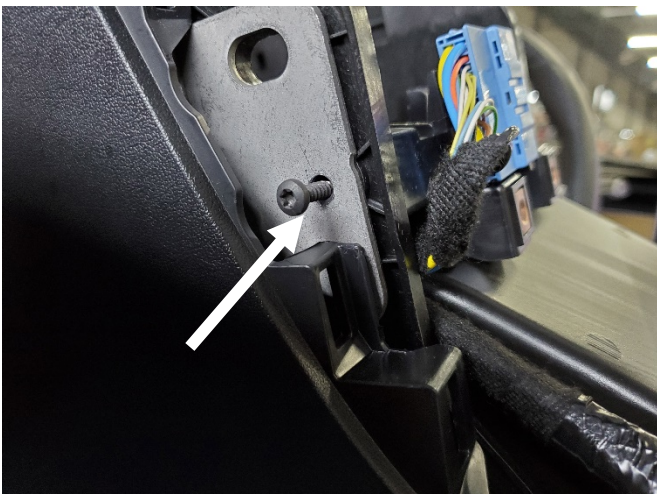
Remove proximity card sensor from console trim.



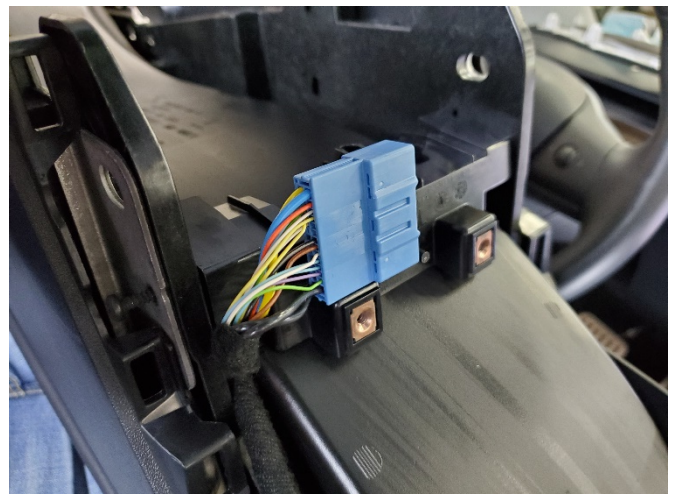
Attach card sensor to supplied card sensor holder. Using 8-32 screws nylon spacers, and Keps nuts. Rear screw uses fender washer.



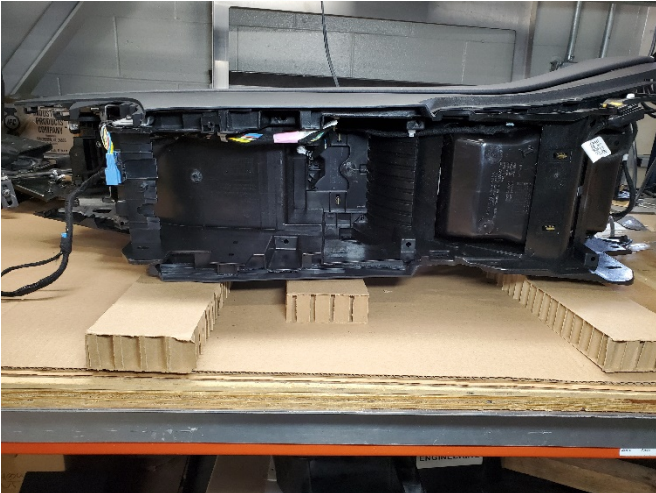
Remove harness from console.



Unbolt rear cross brace from console.



Lift cross brace out of the way to gain access to the ductwork.



Remove duct assembly.



Attach rear-mounting bracket to floor using previously removed 10mm head bolts.



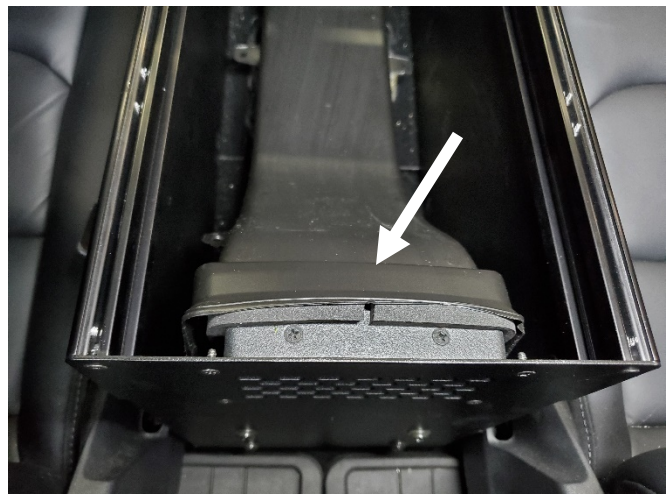
Attach upper mounting bracket to dash using 3/8" plastic spacers and M6 bolts.



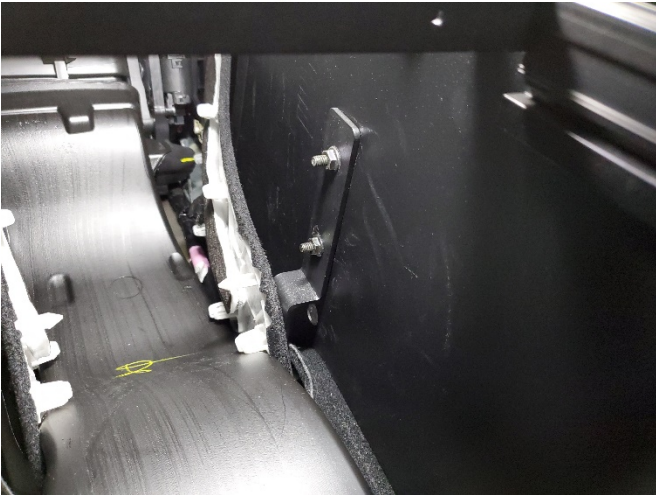
Reattach factory carpeted trim.  
Reattach ductwork to center output on dash.



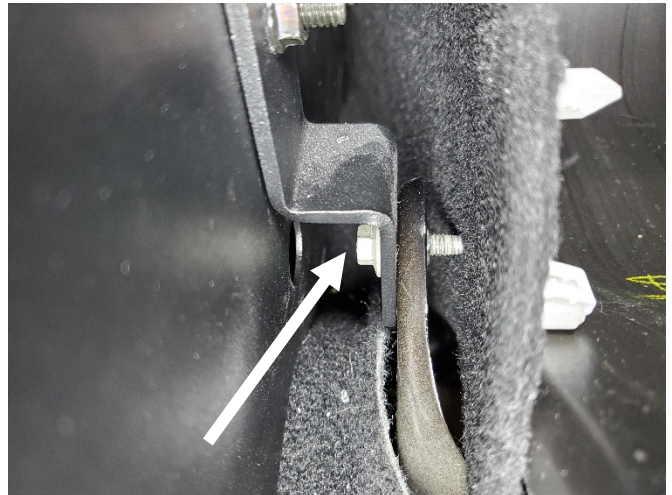
Slide Havis console into the vehicle and up against the dash.



Line up ductwork to rear end of console housing. Add supplied foam strips to console prior to installing ductwork.



Loosely attach middle side mounting brackets to console using (2) carriage bolts and serrated nuts.  
***(Repeat for other side)***



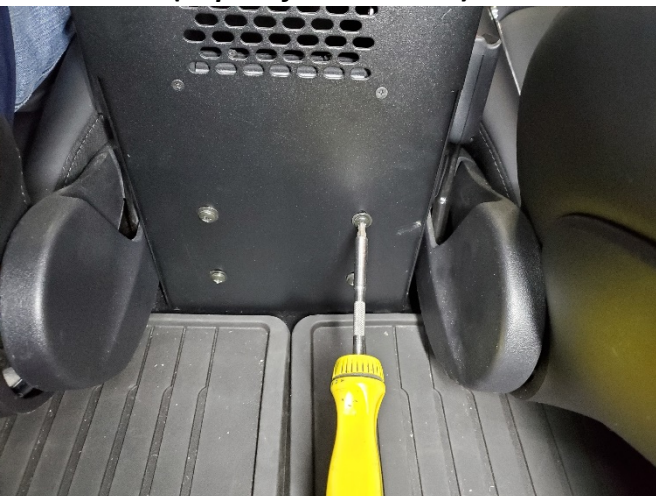
Attach OEM 10mm head bolt into bracket.



Tighten bolt through access hole in side of console.  
Install 1" dome plugs to cover access hole in console.  
***(Repeat for other side)***



Attach top of console to upper mounting bracket with (2) 1/4" x 3/4" Carriage bolts and serrated nuts.



Install (4) 1/4" x 3/4" Phillips head bolts and washers through rear of console into rear floor mounting bracket.



Tighten all hardware. Wire and mount equipment.  
Installation is now complete.