

INSTALL INSTRUCTIONS C-VS-0814-RAM-2

2013-2020 Ram 1500 Special Services Police & 1500 Tradesman Pickup Truck 2013-2020 Ram 1500, 2500, 3500 Retail Pickup Truck with 40/20/40 seats and Forth Generation "Classic" Body style Vehicle Specific Console with 22" inches Equipment space plus a built in C-AP-0325 accessory pocket

Important Notes:

- Console includes bracket C-EB20-RAU-1P for 2013 - 2017 Media hub (uses 2" EB space)
- Console includes bracket C-EB15-DAP-1P & C-FP-05 for 2018-19 Media hub (uses 2" EB space)
- Console includes a built in C-AP-0325 accessory pocket (does not use up EB space)
- Center /20/ seat section must be removed
- Does not work with OEM center console or 4 x 4 on floor shifter

If installing console into a Dodge Ram 1500 Special Service Police Truck,
You have two mounting bracket options that must be purchased separately.
These brackets are sold separately because many customers have a Retail truck and remove the center seat.
When the seat is removed, the OEM brackets are already in vehicle.

Floor Mount bracket option 1 (sold separately): (as of 2/21/14)

Purchase Havis, Inc. optional floor brackets and hardware kit # **C-B66**.

C-B66 kit includes the following:

- 1 - CM006056 (driver side forward bracket)
- 1 - CM006057 (driver side rear bracket)
- 1 - CM006058 (passenger side forward bracket)
- 1 - CM006059 (passenger side rear bracket)
- 2 - GSM33119 (10/32 x 3/4 PPHMS)
- 2 - GSM31003 (#10 flat washer)
- 2 - GSM33001 (1/4 x 3/4 HHCS)
- 2 - GSM31005 (1/4 flat washer)
- 2 - GSM33745 (M8 x 35mm floor bolt)
- 2 - GSM31007 (3/8 flat washer)

Floor Mount bracket option 2:

Purchase OEM center seat brackets and hardware from a Dodge parts supplier.

Part numbers as follows:

- 1 - 68050607-AA (driver side forward bracket)
- 1 - 68050608-AA (driver side rear bracket)
- 1 - 68050605-AA (passenger side bracket)
- 1 - 68050606-AA (passenger side bracket)
- 2 - 6508117-AA (floor bolt)
- 4 - 5139638-AB (nut)

See Related Product information document (C-VS-0814-RAM-1_RD_3-14-12)

On web site product page for OEM part numbers with photos

TOOLS NEEDED:

Phillips Screw Driver

Socket set (Standard & Metric)

Wire Cutters

7/16 wrench

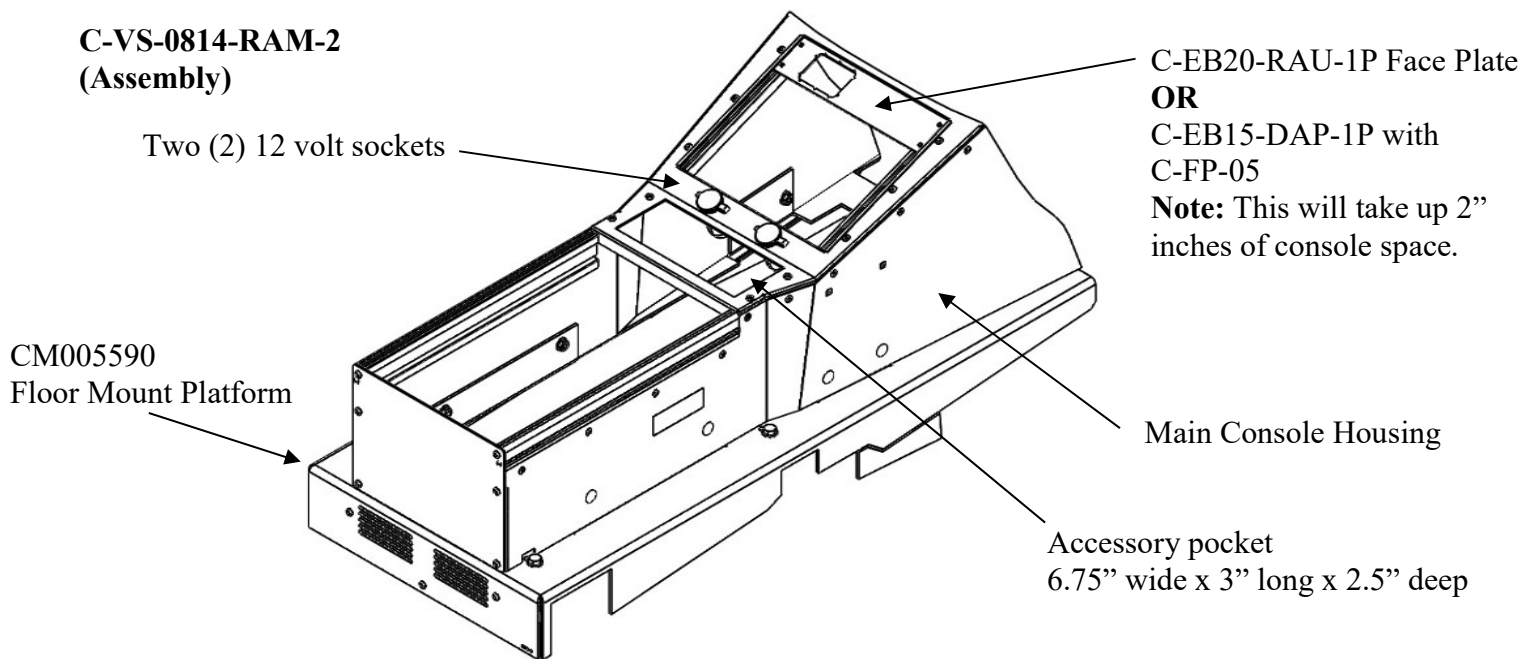
Wire Crimping tool

T-20 Torx bit

Hardware and Parts

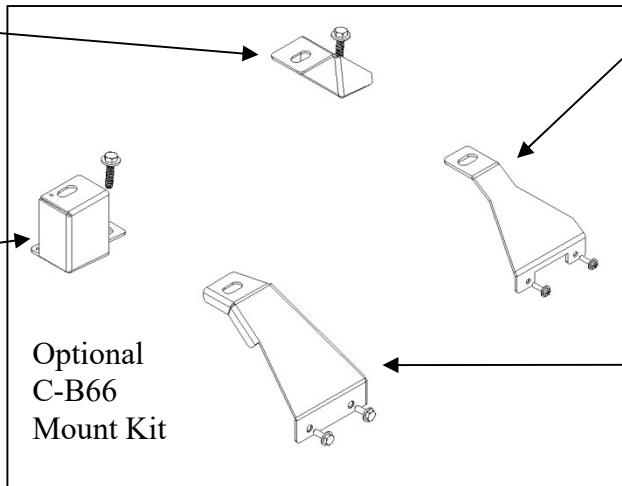
<u>QTY</u>	<u>DESCRIPTION</u>	<u>PART #</u>
1	Main Console Housing	C-VS-0814-RAM-2-H
1	Floor Mount Platform	CM005590
12	1/4 -20 Serrated Nut	GSM30023
4	5/16 Flat Washer	GSM31006
12	1/4 -20 x 1/2 Carriage bolt	GSM31999
4	5/16 x 3/4 Hex bolt	GSM33011
4	5/16 Clip nut	GSM30106
2	Lighter Socket with cap	CM216560
1	Accessory pocket	C-AP-0325
1	Face Plate for OEM Aux / USB connectors (2013-17)	C-EB20-RAU-1P
1	Face Plate for OEM Aux / USB connectors (2018-19)	C-EB15-DAP-1P
1	1/2" Filler plate	C-FP-05

**C-VS-0814-RAM-2
(Assembly)**



CM006056
Driver side front bracket with
GSM33745 bolt and
GSM31007 flat washer

CM006057
Driver side rear bracket with
GSM33745 bolt and
GSM31007 flat washer



CM006058
Passenger side front bracket with
GSM33119 machine screws and
GSM31003 flat washers

CM006059
Passenger side rear bracket
with GSM33001 bolts and
GSM31005 flat washers

ALWAYS!

- * Read all Instructions before installing any Havis, Inc. products.
- * Use Hardware included with install kit



View of O.E.M. dash prior to installation of C-VS-0814-RAM-2 console.



Remove center seat front accessory pocket. **(If applicable)**
Special Service truck will not have center seat
(Phillips Screwdriver)



Remove center seat rear vent cover. **(If applicable)**
(Phillips Screwdriver)



Remove center seat section from floor mount brackets. (13 mm socket)
Do not remove OEM seat brackets
NOTE: The OEM air duct will work in original location. If air duct is not used, installer must plug duct outlet.
Some vehicles will not have air duct.



Optional CM006057
driver side rear bracket with GSM33745 (M8 x 35mm bolt) and GSM31007 (3/8 flat washer)
(Included in C-B66 kit)
Shown with GSM30106 (5/16 clip nut)



Optional CM006056
Driver side forward bracket with GSM33745 (M8 x 35mm bolt) and GSM31007 (3/8 flat washer)
(Included in C-B66 kit)
Shown with GSM30106 (5/16 clip nut)



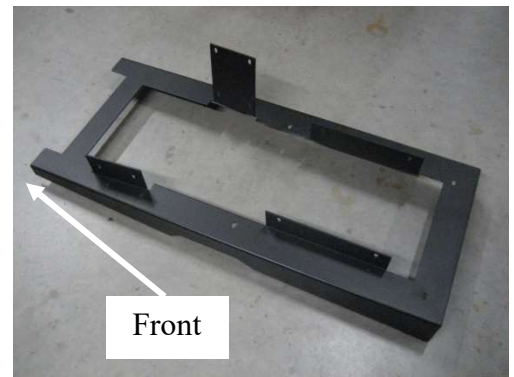
Optional CM006058
Passenger side forward bracket with GSM33119 (10/32 x 3/4 screws) and GSM31003 (#10 flat washers)
(Included in C-B66 kit)

Shown with GSM30106 (5/16 clip nut)



Optional CM006059
Passenger side rear bracket with GSM33001 (1/4 x 3/4 screws) and GSM31005 (1/4 flat washers)
(Included in C-B66 kit)

Shown with GSM30106 (5/16 clip nut)



Place floor mount platform (CM005590) onto brackets and bolt down to clip nuts with 5/16 x 3/4 hex bolts and flat washers (1/2" socket)



Place main console housing onto floor mount platform and fasten together with 1/4 x 1/2 carriage bolts and serrated nuts.



Passenger side of console housing at lower dash



Driver side of console housing at lower dash



Part number - C-EB20-RAU-1P
2" inch face plate
for OEM Aux / USB connectors.
2013 – 2017 Models



Part number - C-EB15-DAP-1P
1.5" inch face plate
for OEM Aux / USB connectors.
2018 – 2019 Models

1/2" Filler plate C-FP-05 also included.



Completed C-VS-0814-RAM-2 console installation