

CC8045

Fold Down Shower Seat

COMCARE Anti-Microbial Non Slip 400mm Fold Down Shower Seat with Support Leg

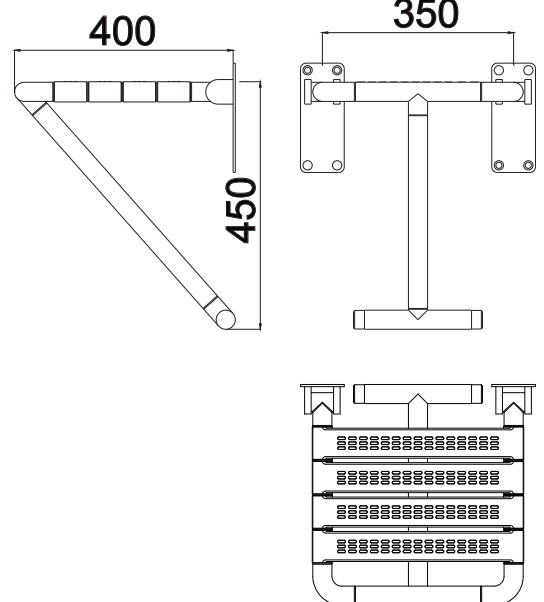
Technical Information:

Material	Aluminium
Colour	White (Alternate colours on request)
Servicing	Regular Maintenance
Warranty	5 Years*



Features:

- Antimicrobial coating is hygienic and has anti-slip markings
- Aesthetically suited for wide range of markets, including residential and aged care
- Additional colours for the coating are available on request
- Can withstand a downward weight of 120kg
- Recommended for any Health, Aged Care and Public CARE projects



COMCARE