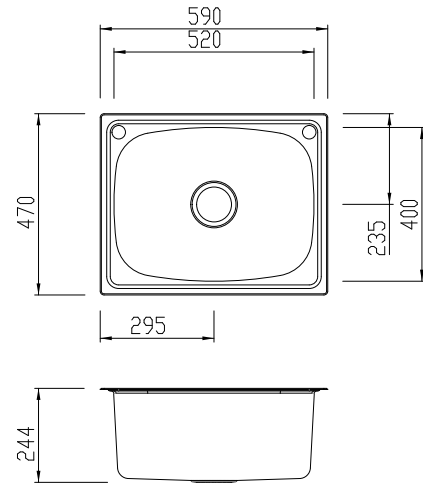


TI45S/OF

Laundry

Oliveri®



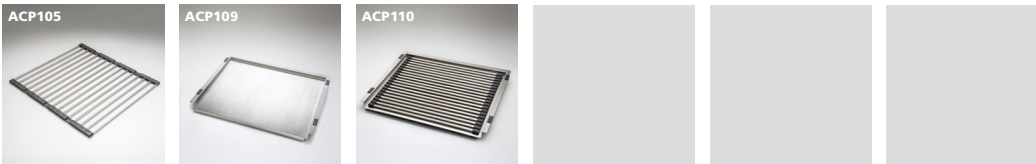
INCLUDED ACCESSORIES



RECOMMENDED TAPWARE



OPTIONAL ACCESSORIES



SPECIFICATIONS

Description

45L laundry tub with
rinse bypass kit and overflow

Sink Size

590W x 470H

45L Tub Bowl

520W x 400H x 235D / 45L

Construction	Single piece with soundproofing
Material	304 grade, 18/10 polished stainless steel (0.8mm thick)
Installation	Inset recommended
Fixings	Adjustable clips and sealing foam supplied
Cut Out Template	570 x 450mm
Min Cabinet Size	600mm
Tap holes	2 x 34mm bypass holes
Waste fittings	1 x 90mm basket waste included
Overflow	Included
Carton Size	600 x 480 x 260mm
Weight	7.0kg
Warranty	Lifetime manufacturer's warranty (refer to oliverisinks.com)

For more information call **1300 13 7465** or visit **www.oliverisinks.com**

