

**DESCRIPTION**

The Haron **TS-2180 ONYX** is made with a Fashionable Matt Black Duroplast Material (Bathroom Ceramic Look and Feel), with a square edge D-Shape to suit most modern Toilet Suites. Can be Top or Bottom Fixed

**D-Shape**



**HARDWARE KIT**

- Includes Top and Bottom Fixing Bolts Kit

**SLOW CLOSE FEATURE**

**HINGE SYSTEM**

- Stainless Steel Hinges
- Quick release Hinge System for easy cleaning
- Can be Top or Bottom fixed for Wall Mounted or Close Coupled Toilets

**MATERIAL**

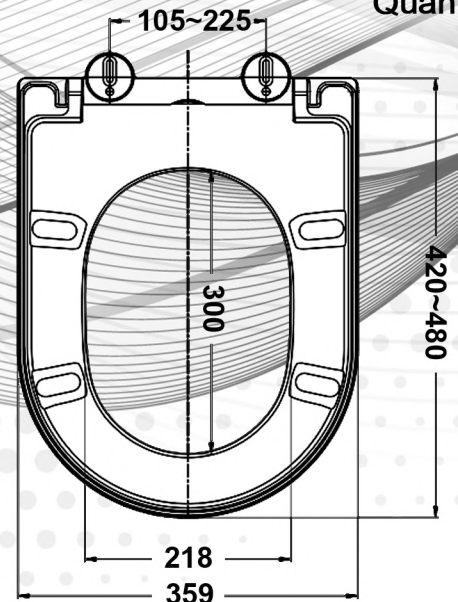
Duroplast / Urea

- Built in Bumpers
- Quick Release Take off Seat
- Long Lasting and Durable

Carton

**5**

Quantity



- Take Off Feature for Easy Cleaning
- Top or Bottom Fixing
- Duroplast: Ceramic Look & Feel



B/Code: 9312343070727



Quick Release Lift Off Seat for Easy Cleaning