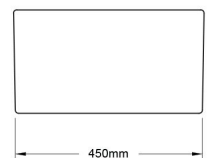
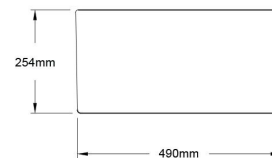
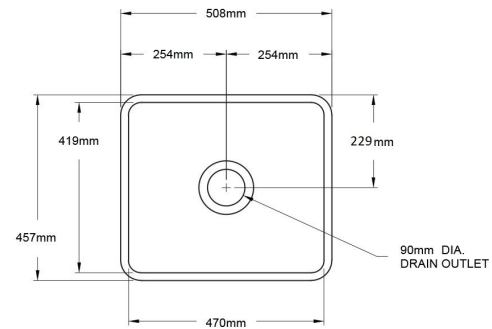
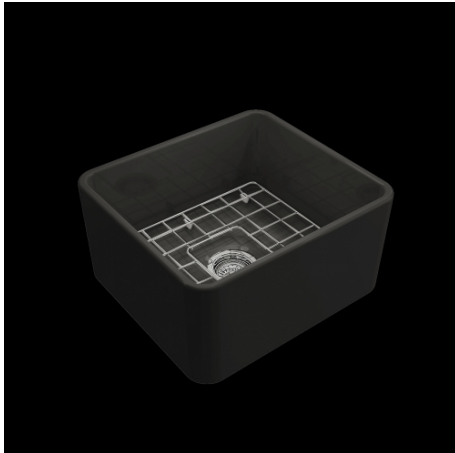


Novi 50 x 46 Fine Fireclay Matte Black Butler Sink

Code: NO50FS-MB



Specifications

- Material: Fine Fireclay
- Finish: Matte Black
- Waste Outlet Included: 90x50mm Basket Waste
- Mounting options: Butler (front showing), Counter Top, Under Counter (framework required)
- Capacity: 41L
- Suitable for use with food waste disposer – we recommend purchase of an extended flange and a model with anti-vibration collar
- This sink is reversible, so it can be installed with flat or ribbed/farmhouse side facing out.
- Note: Fine Fireclay is a natural product and therefore subject to variations. This should be seen as a quality that adds to its unique natural beauty. Variations +/- 2% to the specifications are common and acceptable and are within industry tolerance. We always recommend the cabinet maker and stone provider has the actual sink with them to measure before making cabinetry or cutting stone. For more information please visit our Installation Care & Warranty page or Contact Us.

Product Options

NO50FS-MB: Novi 50 x 46 Fine Fireclay Butler Sink

NO50SSGÂ : Novi 50 x 46 Stainless Steel Grid

Warranty

For peace of mind this product is covered with a Lifetime Guarantee.