



CONTEMPORARY COLLECTION

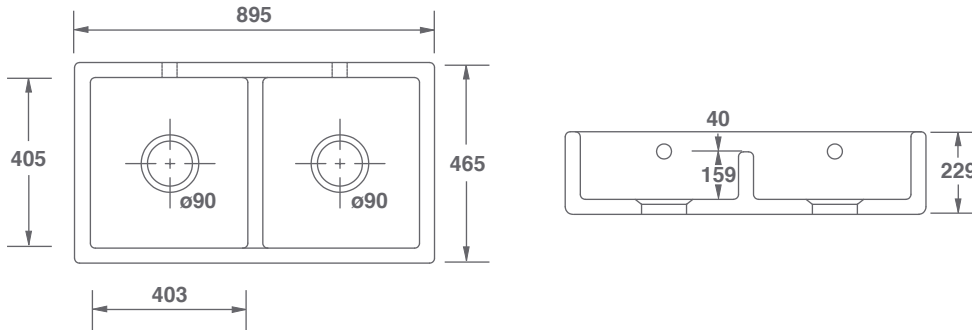
– SHAKER DOUBLE 900 –



FEATURES

Double bowl sink with dropped central dividing wall. Central 3½" waste outlets suitable for basket strainers or waste disposers. Round overflows. Lifetime warranty.

All our sinks come in a choice of white or biscuit.



Product	Code	Dimensions					Weight
			W	D	H	Waste	
Shaker Double 900 White	SCSH900WH	(mm)	895	465	229	90	TBC
		(in)	35	18½	9	3½	
Shaker Double 900 Biscuit	SCSH900PN	(mm)	795	460	229	90	TBC
		(in)	31	18½	9	3½	

Please note: All nominal dimensions in mm. Dimensions may vary by +/- 2% due to manufacturing process

For expert advice or to purchase, please contact our Customer Service Team on +44 (0) 1254 775111. Alternatively, we can be contacted via email at sales@shawsofdarwen.com or by fax on +44 (0) 1254 873462.