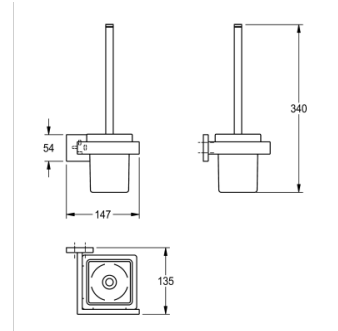


CUBX005HP | 2000106353

ARTICLE GROUP : **CUBX005++** | ARTICLE FAMILY : **Toilet brush holders** | PRODUCT GROUP : **Accessories** | MODEL RANGE : **CUBUS** | LIFECYCLE : **New**



Toilet brush holder for wall mounting, 304 stainless steel handle with nylon brush, square glass cup, square cover with drilled hole on bottom for fixation, incl. stainless steel screws and dowels.

Surface: high polished

TECHNICAL DATA

brush colour	white
gross weight	1.23 kg
material	STAINLESS-STEEL
material code	1.4301 Chrome-nickel steel V2A (AISI 304)
net weight	0.98 kg
overall depth	135.00 mm
overall height	340.00 mm
overall width	147.00 mm
surface finish	high polished
type of brush	nylon
type of fixing	screw
type of mounting	WALL-MOUNTING