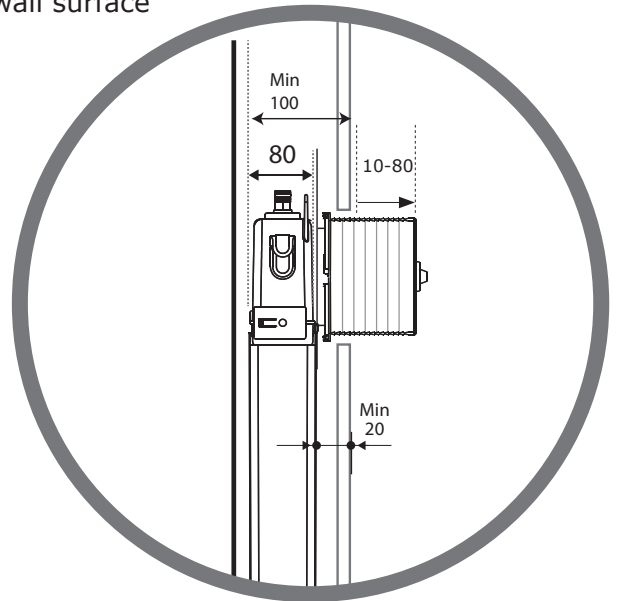




Minimum of 100mm from rear of cistern to front edge of finished wall surface

Min. projection of 10mm - Max. projection of 80mm of tile flange box required prior to trimming to accommodate actuator.



NOTE
See next page for compatible actuators

Oli-74 IN-WALL CISTERN

STYLE

In Wall Cistern

CODE

601 602
(if used with mechanical actuators)

601 602/PN
(if used with pneumatic actuators)

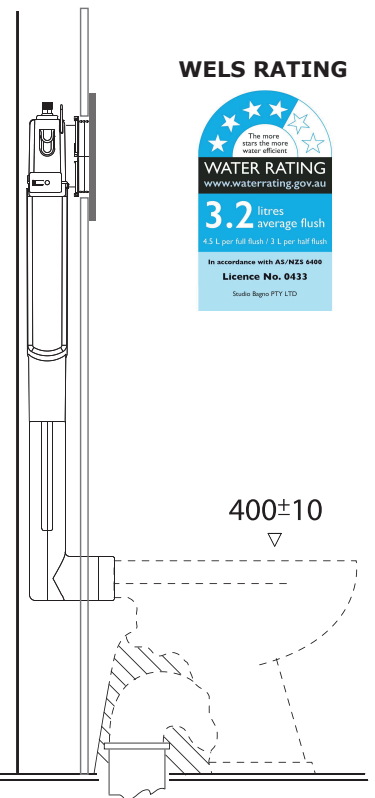
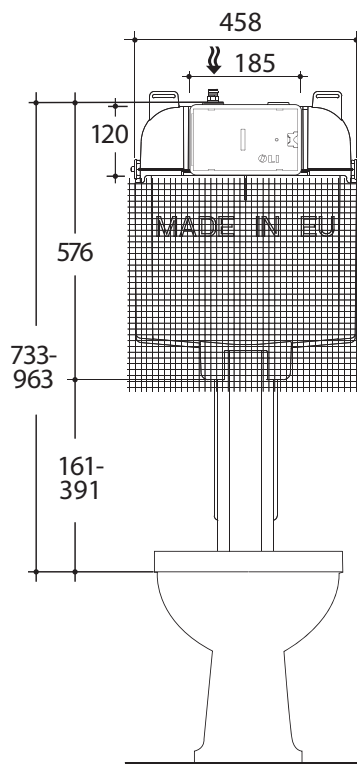
WEIGHT

3.5 kg

FEATURES

- Front access only
- Dual flush in-wall cistern with 4.5/3 litre flush
- 80mm min. wall cavity requirement
- 10 Year Warranty
- Manufactured in Europe
- Mechanical actuator kit included

Cavity & wall thickness to be a minimum of 20mm



WELS RATING



COMPATIBLE ACTUATORS

Oli-74

IN-WALL CISTERN

Cistern Code by Actuator


I-PLATE

601 602


INO-X 01

601 602


INO-X 02

601 602


INO-X 03

601 602


INO-X 04

601 602


INO-X 05

601 602


INO-X 06

601 602


SLIM

601 602


SALINA

601 602/PN


TREND

601 602/PN


TREND MINI

601 602/PN


SPHERA +

601 602/PN


SPHERA -

601 602/PN


KARISMA

601 602/PN