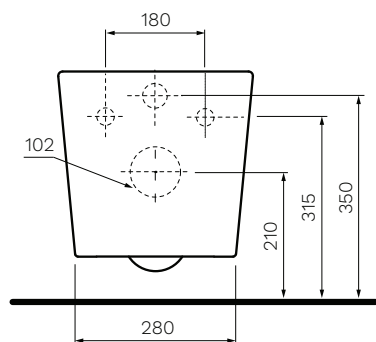
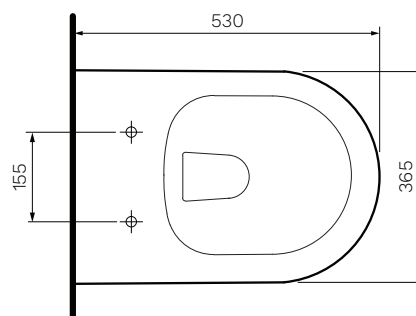
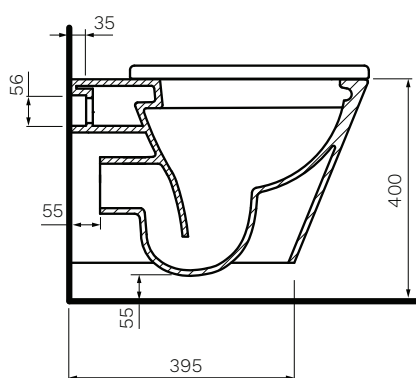


## Linfa Wall Hung Pan

**Product Code: PN780**

The Linfa Wall Hung Pan combines a classically simple design aesthetic with outstanding Rimless performance and comes standard with the PARISI Easy Clean ceramic glaze. A compact, smooth sided wall faced pan complete with an impressive heavy grade, lift off, soft close seat.



Gloss  
White



<b>Colour &amp; Finish</b>	— White Gloss
<b>Material</b>	— Ceramic
<b>Dimensions</b>	— 365 x 530 x 345mm
<b>Rim Type</b>	— PARISI Rimless
<b>Seat Type</b>	— Soft Close, Heavy Grade, Easy Lift-off, UV Resistant, Antibacterial (PN5765)
<b>Surface Hygiene</b>	— Easyclean Antibacterial protection
<b>P Trap</b>	— 210mm height FFL
<b>Water Inlet</b>	— Back Inlet 350mm height FFL
<b>Cistern Options</b>	— Compatible with framed concealed cisterns (PA120, PA121, PA140, PA141)
<b>Button Options</b>	— Compatible with push button panels and remote button sets (PA221 - PA265)
<b>WELS</b>	— 4 STAR 4.5/3L 3.1L Average Flush
<b>Warranty</b>	— 10 years (Conditions Apply)

PARISI



**RIMLESS**

