

ECO4000FPEXP

Eye Wash

ECOSAFE Floor-Mounted Pedestal ABS Plastic Eye Wash with Stainless Steel Bowl and Foot Pedal

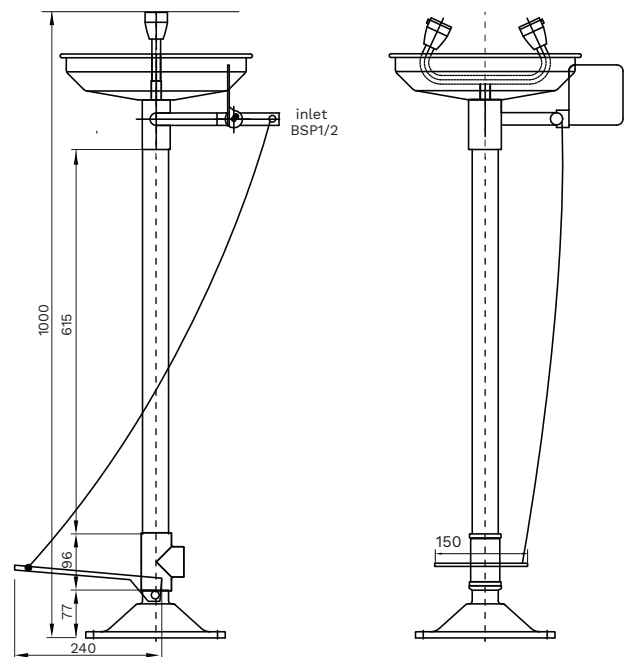
Technical Information:

Material	304 Stainless Steel
Outlet	Laminar Flow Min. 11.4Lpm
Working Pressure	200kpa - 500kpa
Working Temp.	16°C - 38°C
Colour	Stainless Steel (polished)
Servicing	Regular
Warranty	5 Years*



Features:

- Signs included with product.
- Laminar flow in eye wash uses zero vertical velocity to provide gentler experience
- Valves available for temperatures in excess of 38°C .
- Gentec can customise products to suit customer requirements.
- Recommended for Science, Education and Industrial projects
- Test tag included with the product



ECOSAFE