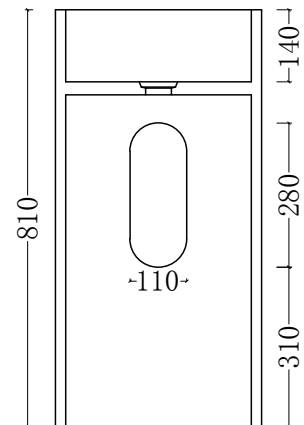
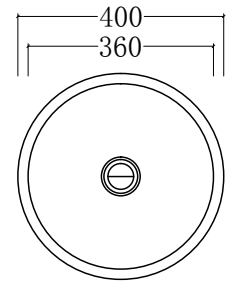


gallaria

BOLA

PEDESTAL BASIN

SPECIFICATIONS



MODEL	BOLA PEDESTAL BASIN
CODE	GKS 2002
MATERIAL	STONE
WEIGHT	44 KGS