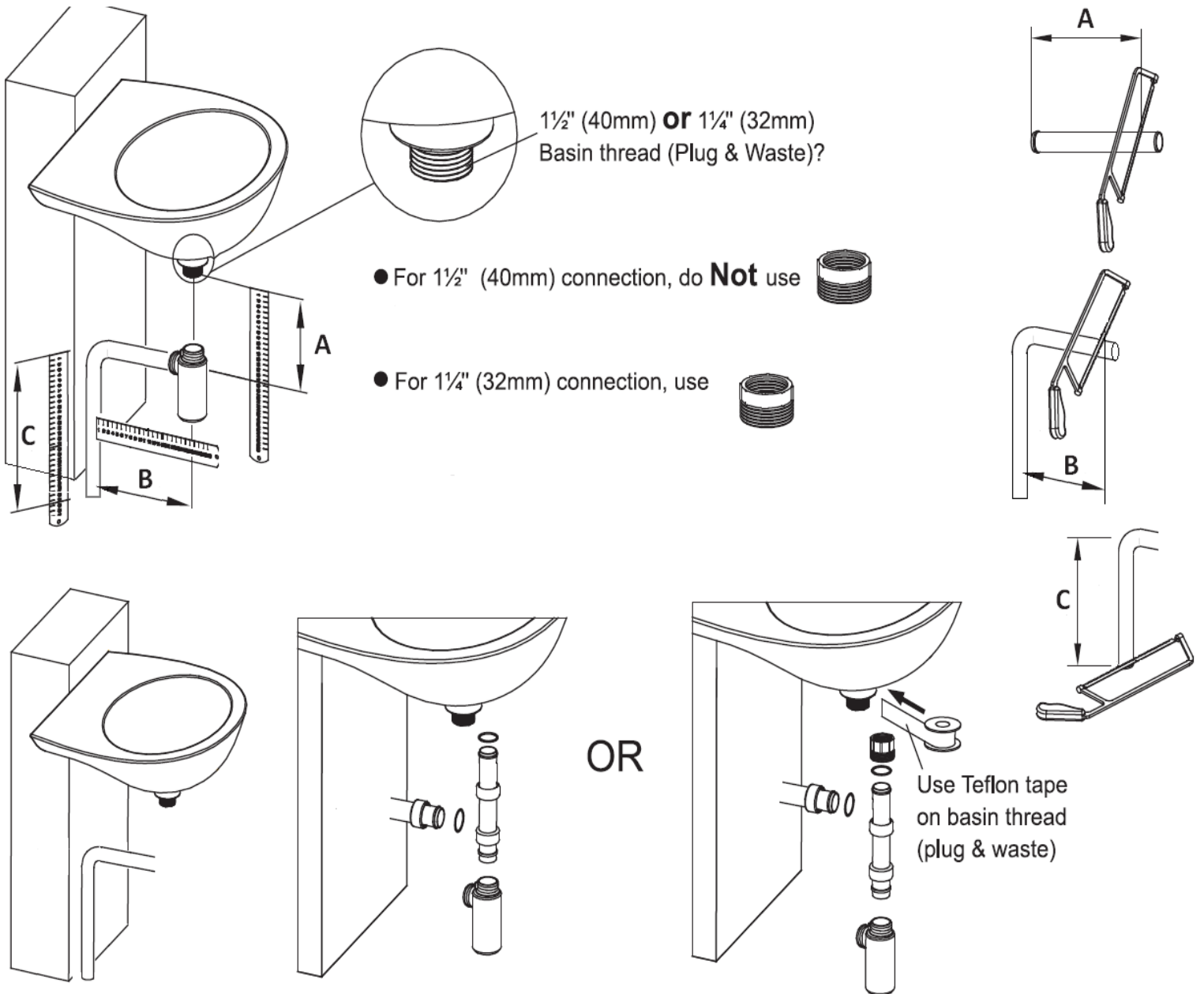


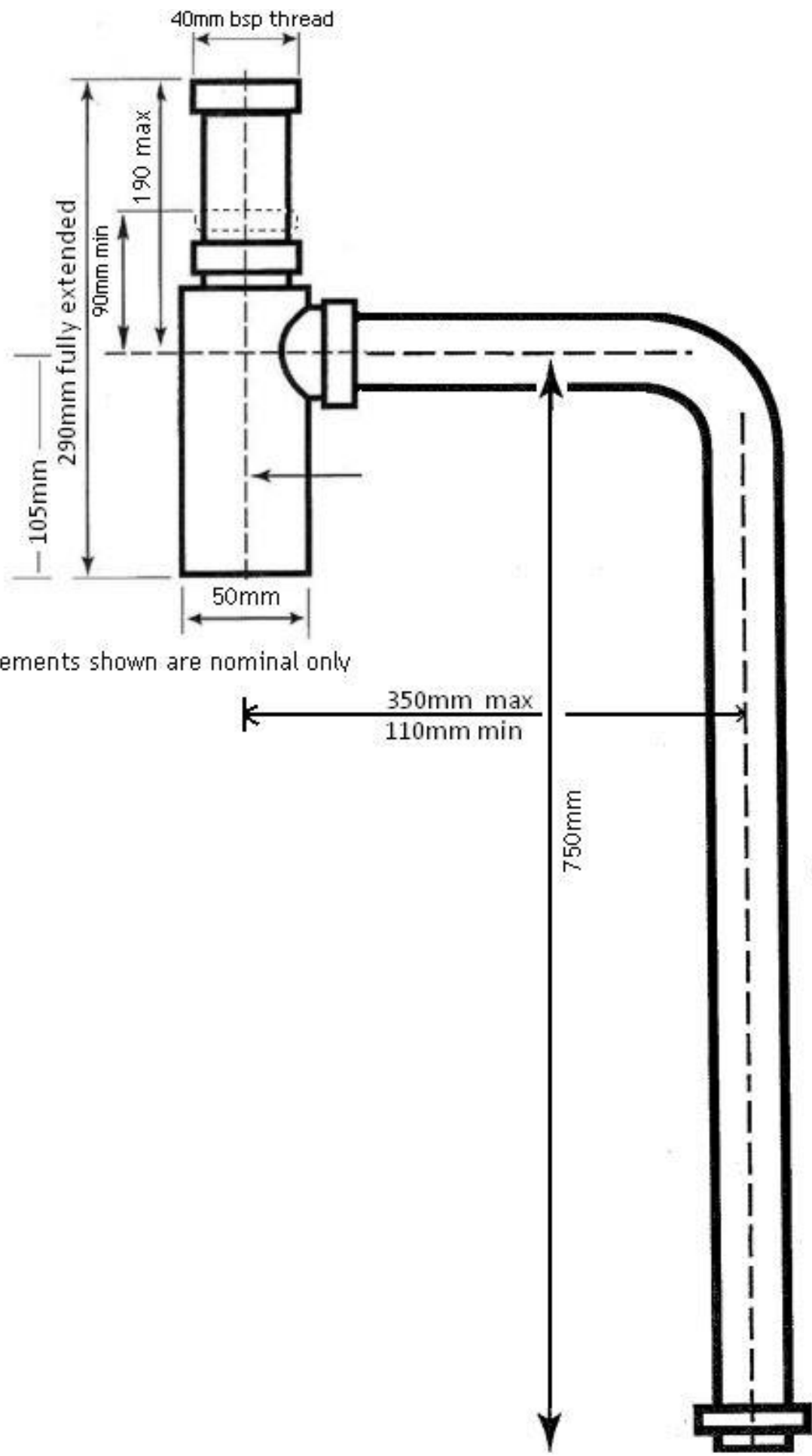


**TURNER
HASTINGS**
EUROPEAN BATHWARE

16 McPherson Road, Smeaton Grange, NSW, 2567
PO Box 7412, Mount Annan, NSW, 2567
Phone 1300 00 2284
Fax 02 4647 5564
ABN 56 263 133 253
www.turnerhastings.com.au
info@turnerhastings.com.au

SLIMLINE ADJUSTABLE BOTTLE S TRAP REF # AU4040BTS





Measurements shown are nominal only