

**Product Code : TO.01-3W220C**

**Colour : chrome**

**Features :**

- knurled pin lever, curved spout 220mm
- 1/2" female spout
- Ø53mm x 3mm flange
- ceramic disc 180° turn



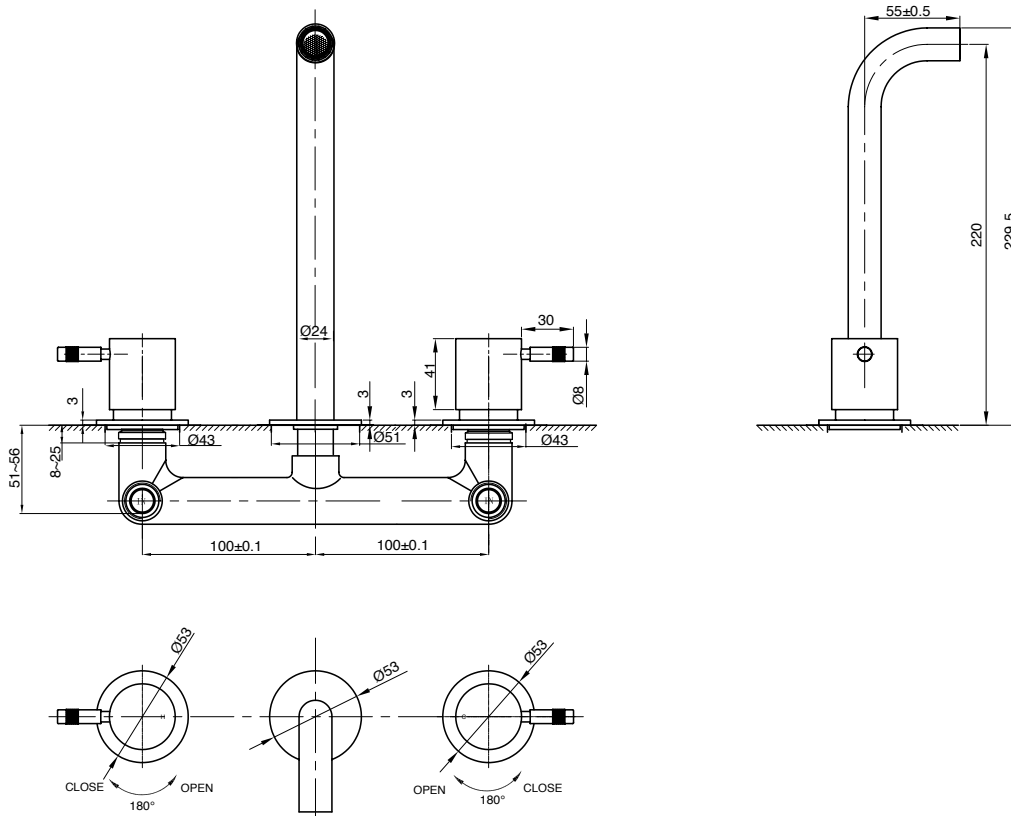
Manufactured by:

**PARISI**

Copyright and Intellectual Property Right Protected

Web : [www.parisi.com.au](http://www.parisi.com.au) Email : [techinfo@parisi.com.au](mailto:techinfo@parisi.com.au)

## Technical Details



### Installation Note :

The Inwall breach or body face must be no less than 8mm and no deeper than 25mm behind the finished wall face.

### Breach not supplied.

Please ensure that a compatible breach piece is used with this product.

**\* Restrictor fitted - removable for bath application.**