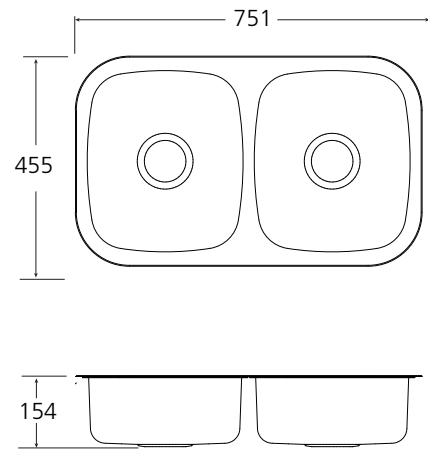


EE63U

Tasman Endeavour

Oliveri®



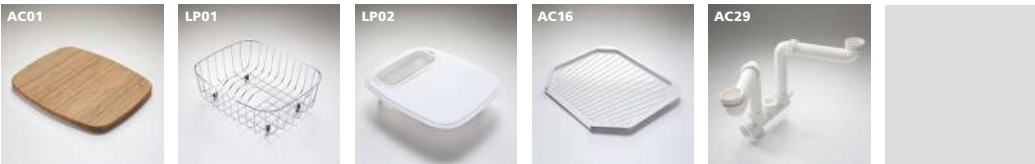
INCLUDED ACCESSORIES



RECOMMENDED TAPWARE



OPTIONAL ACCESSORIES



SPECIFICATIONS

Description

Double bowl undermount sink

Sink Size

750W x 455H

Main Bowl

330W x 385H x 155D / 17L

Main Bowl

330W x 385H x 155D / 17L

Construction

2 piece, bowls & drainer seam welded

Material

304 grade, 18/10 polished stainless steel (0.8mm thick)

Installation

Undermount only

Fixings

n/a

Cut Out Template

oliverisinks.com

Min Cabinet Size

800mm

Tap holes

n/a

Waste fittings

2 x 90mm basket waste included

Overflow

Special order option available

Carton Size

770 x 460 x 190mm

Weight

5.0kg

Warranty

Lifetime manufacturer's warranty (refer to oliverisinks.com)

For more information call **1300 13 7465** or visit **www.oliverisinks.com**

