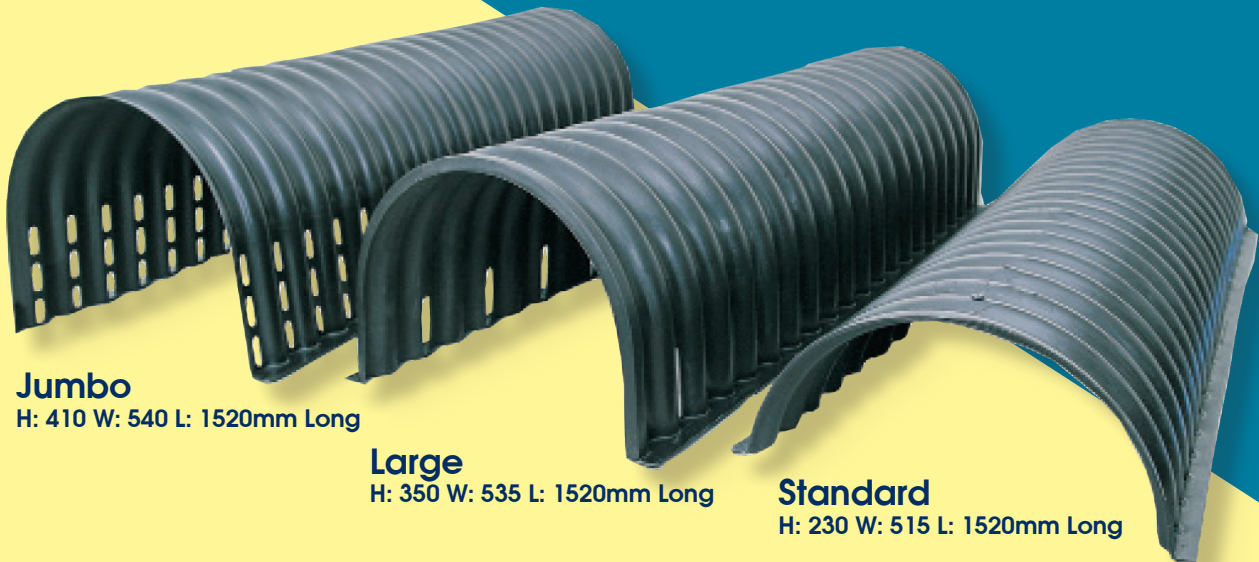


RELN
>blackwater

THE ORIGINAL RAIN DRAIN TRENCHING.
STILL THE BEST.



Jumbo

H: 410 W: 540 L: 1520mm Long

Large

H: 350 W: 535 L: 1520mm Long

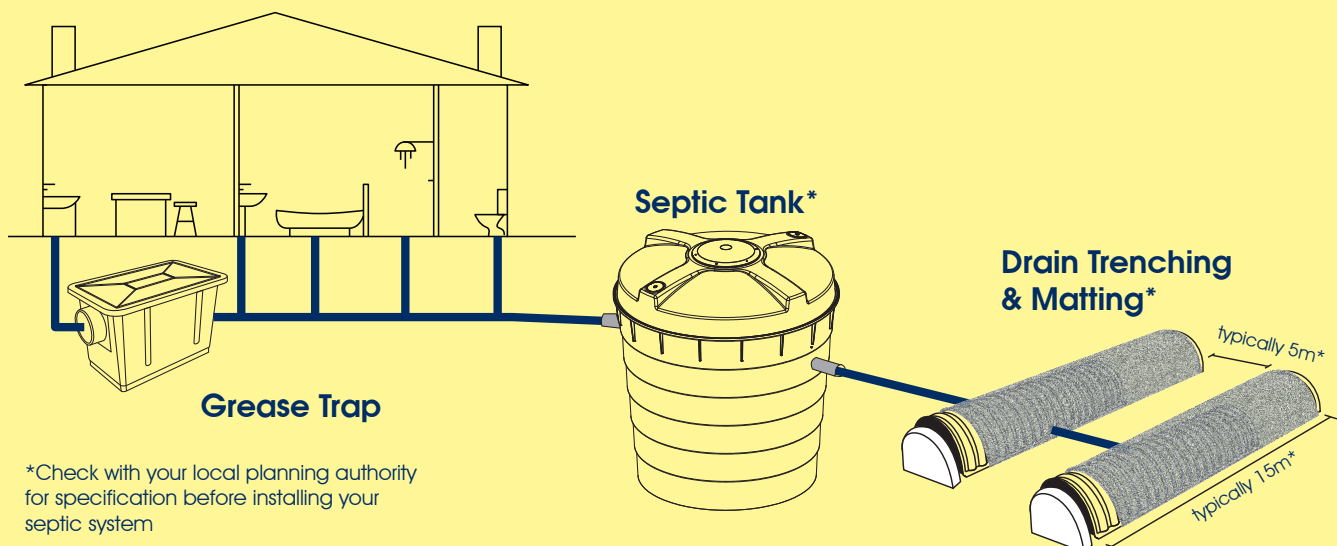
Standard

H: 230 W: 515 L: 1520mm Long

RELN Drain Trenching

- S1547 Disposal Method Approved by health authorities in all Australian States and New Zealand
- Ideal for septic effluent, sullage waste or stormwater
- End caps for each size
- Australian Made out of tough, durable recycled plastic
- AS1547 requires RELN Drain Matting to be used when installing RELN Drain Trenching with RELN Septic Tanks

Longest Length in the market

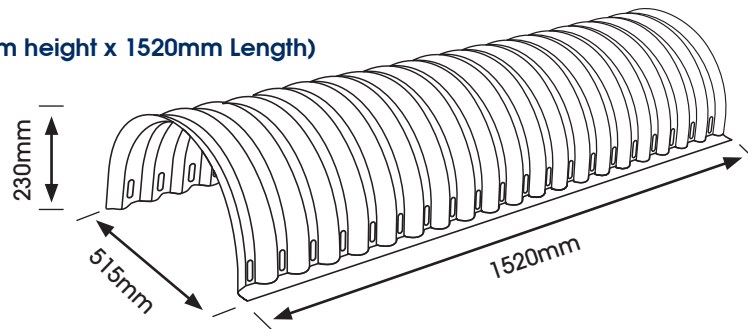




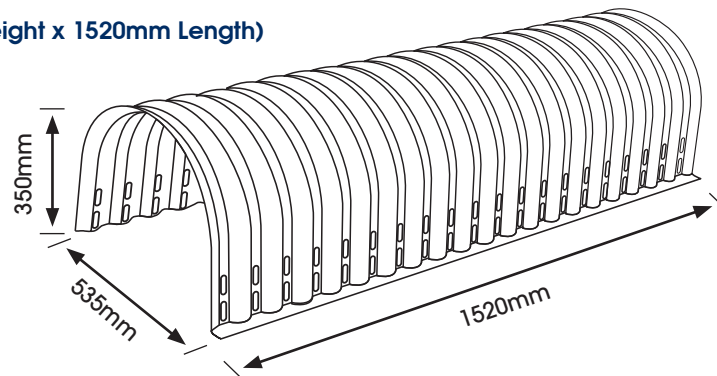
RELN Drain Trenching

RELN Drain Trenching was launched in 1968, and represented a breakthrough in trenching. The current range is made in Australia from strong and durable recycled plastic, and is available in three sizes, to suit every soil type. Ideal for septic effluent, sullage waste or stormwater.

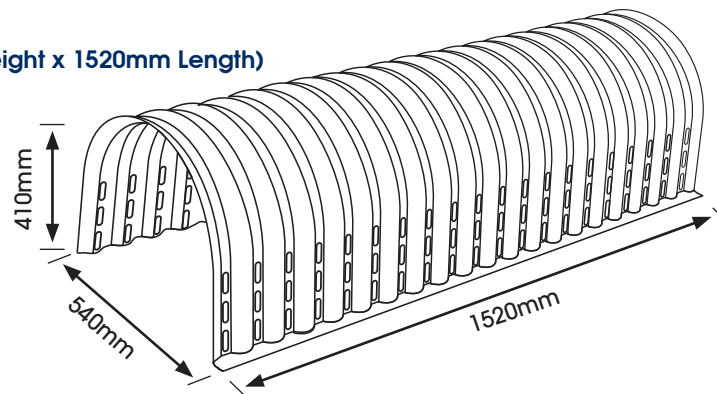
- > **Standard**
(515mm width x 230mm height x 1520mm Length)



- > **Large**
(535mm width x 350mm height x 1520mm Length)



- > **Jumbo**
(540mm width x 410mm height x 1520mm Length)



- AS1547 Disposal Method Approved by health authorities in all Australian States and New Zealand
- Ideal for septic effluent, sullage waste or stormwater
- End caps for each size
- AS 1547 requires RELN Drain Matting to be used when installing RELN Drain Trenching with Septic Tanks

Display: Flyer Available

> Frequently Asked Questions

Q1. What size RELN Trenches do you have?

A. Standard 230mm, Large 350mm and Jumbo 410mm

Q2. What accessories can I get for RELN Trenches?

A. End caps and A12 grade drain matting.

Q3. How much trench will I need for my job?

A. Please ask for guidance from your local council, especially when working with effluent disposal



Standard, Large and Jumbo

Standard Drain - 230mm

Product Code: 000877

Weight: 2.6kg



Standard Drain - End Caps - 230mm

Product Code: 000891

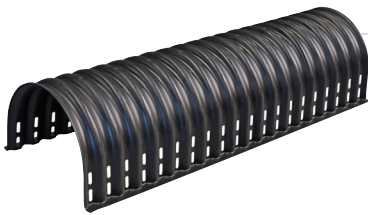
Weight: 0.2kg



Large Drain - 350mm

Product Code: 000884

Weight: 3.8kg



Large Drain - End Caps - 350mm

Product Code: 000907

Weight: 0.5kg



Jumbo Drain - 410mm

Product Code: 000890

Weight: 4.5kg



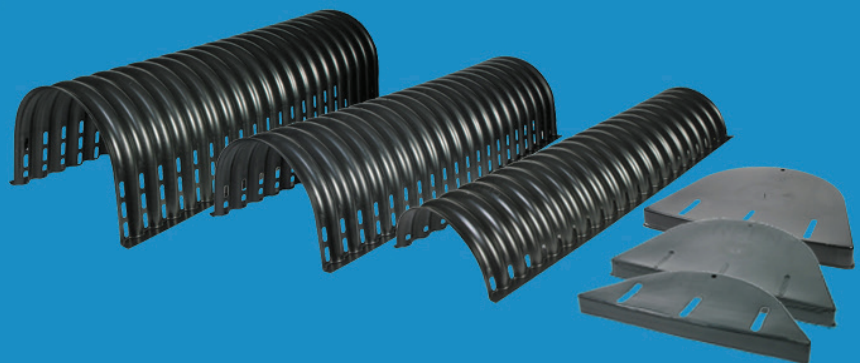
Jumbo Drain - End Caps - 410mm

Product Code: 000895

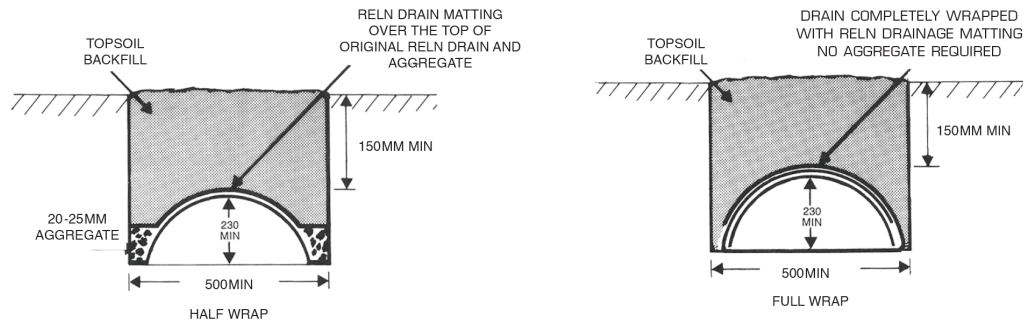
Weight: 0.6kg



The Original Reln
Drain Trenching.
Still the best.



Method of Installations



1. Dig trenches to suit your Reln Drain Installation. Trenches should be level along the contour of the land to provide a uniform loading of liquid to the soil. Trenches must be at least 150 mm deeper than the top of the Reln Drain and deep enough to allow the required fall for pipework. On sloping land the first trench of Reln Drain should be fully utilised before overflowing into the next Reln Drain trench.

2. Where required, cut an inlet hole suitable to accept the 100mm effluent inlet pipe in the top of the Reln Drain.

3. Completely wrap Reln Drain in Reln Drain Matting (2m x 6m pack) and lay Reln Drain in trench. Ensure each length of Reln Drain overlaps to join. (Alternatively Reln Drain can be layed straight into the base of the trench), 20mm-40mm size aggregate laid along outside edge of drain to cover drainage slots then half wrap with Reln Drain Matting (600mm x 6m pack).

4. Fit Reln Drain End Caps at each end. Cover End Caps with Reln Drain Matting.

5. Install inlet pipe to Reln Drain.

6. Cover trench with topsoil making suitable allowance for settlement.

7. Reln Drain Matting makes trench or slot drains impervious to external fines. Therefore Reln Drain Matting can extend the life of your effluent drainage system.

8. Saves time and money, when Original Reln Drain is completely wrapped in Reln Drain Matting, aggregate/blue metal *is not* required.

Always consult your local authorities when installing drainage systems.

Australian Standards 1547 requires matting is used on all effluent disposal systems.

Do not subject to vehicular traffic.



Technical Specifications. Approximate sizes:

	Jumbo (410mm)	Large Drain (350mm)	Standard Drain (230mm)
Height	410mm	350mm	230mm
Length	1520mm	1520mm	1520mm
External Width	550mm	584mm	515mm
Internal Width	460mm	533mm	460mm
Storage Capacity	260 Litres	227Litres	120Litres
Weight	21kg per bundle of 5	19kg per bundle of 5	22kg per bundle of 10
	Large End Cap	Large End Cap	Standard End Cap
Height	425mm	365mm	230mm
Width	565mm	585mm	545mm



Reln Plastics 14B Williamson Road, Ingleburn, NSW 2565
Telephone 02 9605 9999 Fax 02 9605 9222.

RELN
>blackwater