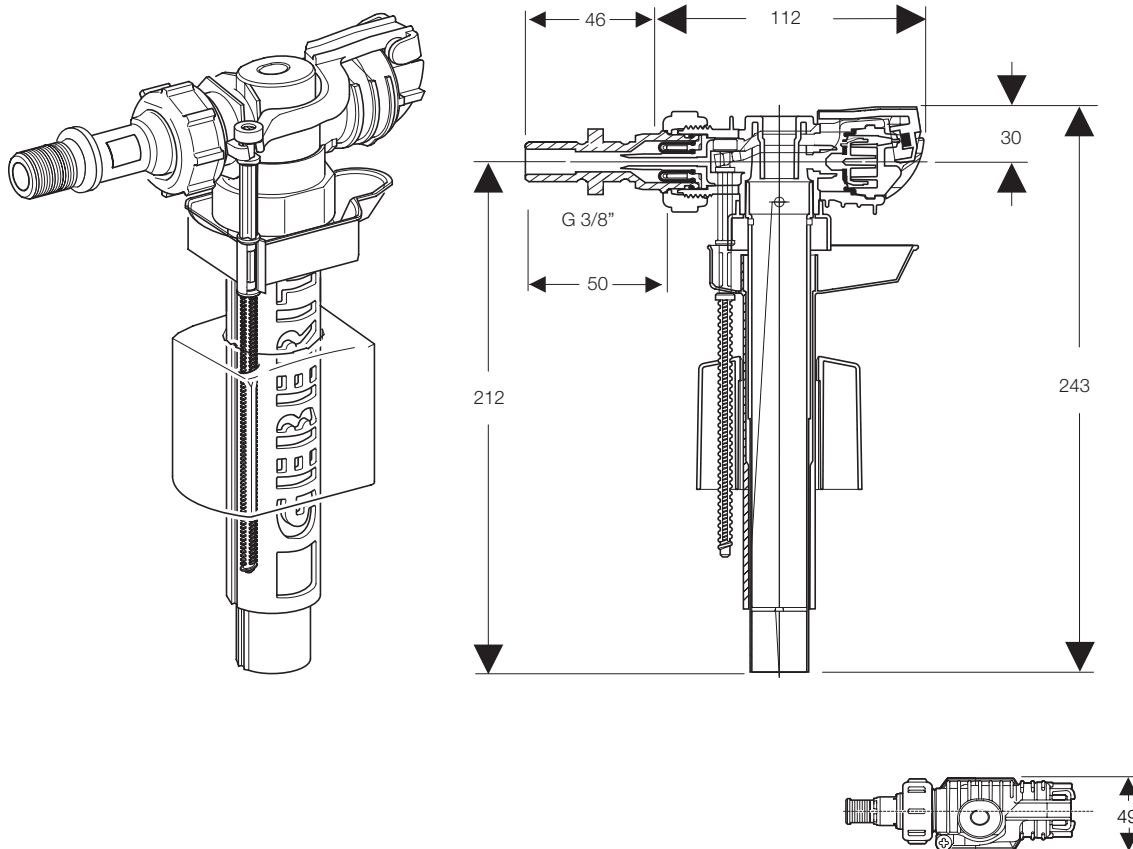


IMPULS380 INLET VALVE 3/8"

Art. No. 222.026.00.1

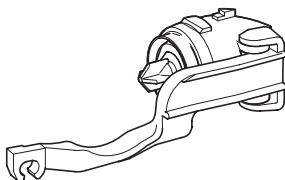
The Geberit Impuls380 cistern inlet valve Art. No. 222.026.00.1 with long 3/8" stratos nipple is used in a number of cisterns from Caroma and Villeroy & Boch. The Impuls380 cistern inlet valve has an operating pressure range from 10 to 1000 kPa (0.1 to 10 bar). The valve is designed for fast and quiet filling action.

Important note: When the complete inlet valve is replaced make sure that the fill and spill level of the cistern is correctly adjusted.



Service and spare parts

Geberit Impuls380 cistern inlet valve is maintenance friendly. In the event of a blockage, the silicone diaphragm and lever part can be easily removed without tools for cleaning. The spare part is supplied as a kit (diaphragm, insert, cover and lever) in one package. After any maintenance or replacement of the valve, make sure that the fill and spill level of the cistern is correctly adjusted.



170.360.00.1 Diaphragm and lever