
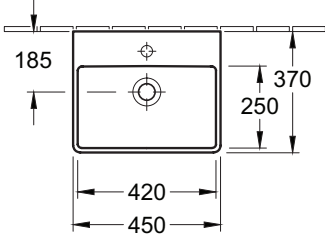
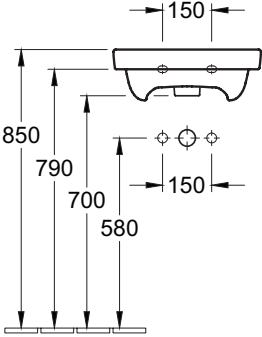
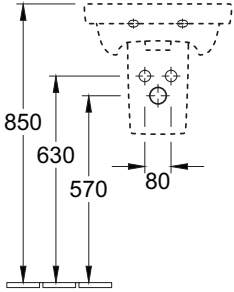




AVENTO 450 HAND WASH BASIN

Product Image	Technical Specification	
		 

Description
<p>Avento 450 Hand Wash Basin With Overflow</p> <p>73584501CB 1 Tap Hole 73584501TB 1 Tap Hole / Trap Cover</p>

Additional Information
<ul style="list-style-type: none"> • 450 x 370mm • Mounting bolts included • Waste & Tapware not included, recommended waste K316-D • 5 Year Warranty *Conditions apply

