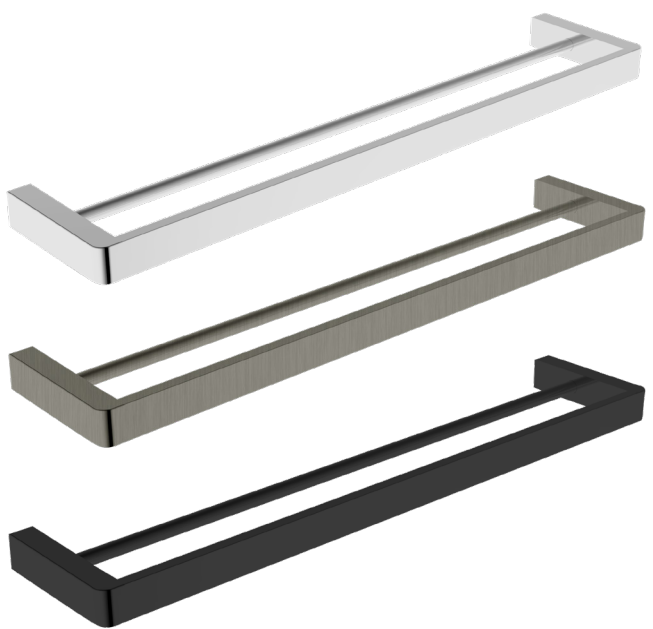
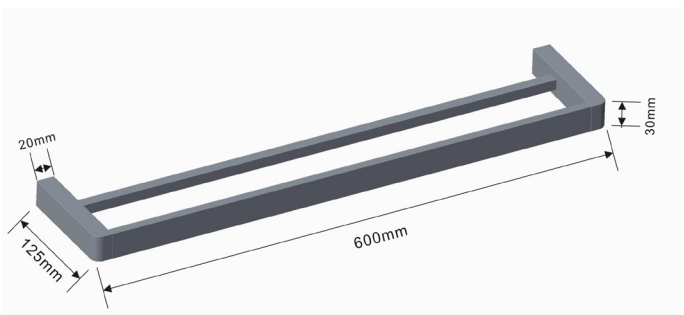




MONDRIAN NEU 600 DOUBLE TOWEL RAIL

Product Image	Technical Specification
	

Description
<p>Mondrian Neu 600 Double Towel Rail</p> <p>AR93624D Chrome AR93624DMB Matte Black AR93624DBN Brushed Nickel</p>

Additional Information
<ul style="list-style-type: none"> • 5 year warranty • Dual Fixing

