

INSTALLATION INSTRUCTIONS (Cabinets)

All installation works should be carried out by a licensed tradesman according to the 'Plumbing and Drainage Code of Practice' and the requirements of any relevant statutory body.

- During the framing and rough in stages of construction ensure that there are sufficient fixings for the mounting of the vanity cabinet. There should be at least two vertical studs for fixing provided not more than 100mm from each edge of the cabinet.
- Ensure that the wall is straight and plumb and free from any bow or twist otherwise the drawers and doors will be out of alignment.
- The solid back of the cabinet must not be damaged, removed, cut or drilled more than is necessary for the access of the plumbing pipes.
- During installation the cabinet should be fixed with screws through the solid back of the cabinet. The screws should be suited to the stud material and have a pan or counter sunk head. Provide a horizontal row of screws within 100mm vertically from the top of the cabinet at a maximum of 300mm horizontal spacing. The screws closest to the left and right edge of the cabinet should be within 100mm of each side.
- Prior to fixing the top to the cabinet with silicone ensure that the cabinet is level and plumb in all directions. If not remove the cabinet and pack or straighten the wall accordingly.
- After installation use the adjusting screws of the hinges and drawer runners to align the doors and drawers.

Detailed instructions are included with the vanity. Timberline Bathroom Products makes every effort to supply our clients with outstanding quality products, we can in no way be held responsible for any damages arising from failure due to the method in which the vanity was installed or commissioned.

TIMBER VANITY TOPS

Please see www.timberline.com.au/downloads to download all warranty and installation instructions for Timber Vanity Tops.



WARRANTY

Timberline Bathroom Products ensure that our products are manufactured using only high quality materials and workmanship. Should you find fault with either materials or workmanship within warranty period noted below, Timberline Bathroom Products will at its discretion, repair or, supply replacement for the faulty product or component.

WARRANTY PERIODS:

SILVER VANITY CABINETS:	5 YEARS	Acrylic Tops:	10 years	Solid Timber Tops:	3 years
GOLD VANITY CABINETS:	10 YEARS	Stone/Solid Surface Tops:	10 years	Mirrors:	1 year
PLATINUM VANITY CABINETS:	20 YEARS	Dolomite Top:	5 years	Cabinet Lighting:	1 year
Laminated Laundry Benchtops:	7 years	Ceramic Tops/Bowls:	5 years	Tallboys:	10 years
Commercial Use: ALL PRODUCTS:	1 year	Shaving Cabinets:	10 years		
Shelves:	5 years	Laminate Tops:	5 years		

The Timberline Bathroom Products warranty will only apply where the product has been installed by qualified tradesmen and in full accordance with installation instructions. This warranty does not cover damage by improper installation, accident, misuse, abuse, negligence, excessive wear and tear, improper care and maintenance, water and natural causes such as sunlight, humidity and other environmental conditions. Adjustment of doors and drawers is undertaken during manufacture. After installation readjustment will be necessary, this does not form part of the warranty.

It should be noted that all cabinets are manufactured from water resistant materials. This does not mean that they are waterproof. Care must be taken to immediately dry any spillage or water leakage that may gain access to the cabinet as water damage is not a justifiable claim. Installation, cleaning and maintenance instructions must be followed to ensure validity of warranty.

Timberline Bathroom Products' liability is limited to repair, replacing, or giving a credit for the faulty goods, and it does not include installation expenses and/or damages. The purchaser must provide proof of purchase when making a claim.

Our goods come with guarantees that cannot be excluded under the Australian Consumer Law. You are entitled to a replacement or refund for a major failure and for compensation for any other reasonably foreseeable loss or damage. You are also entitled to have the goods repaired or replaced if the goods fail to be of acceptable quality and the failure does not amount to a major failure.

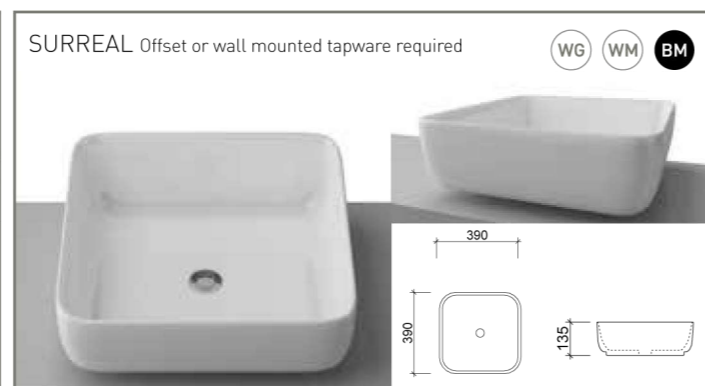
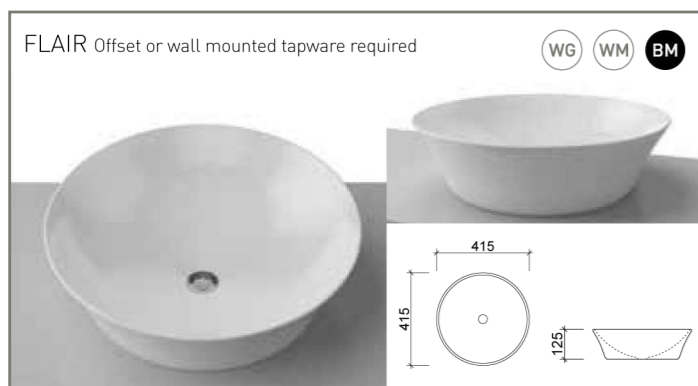
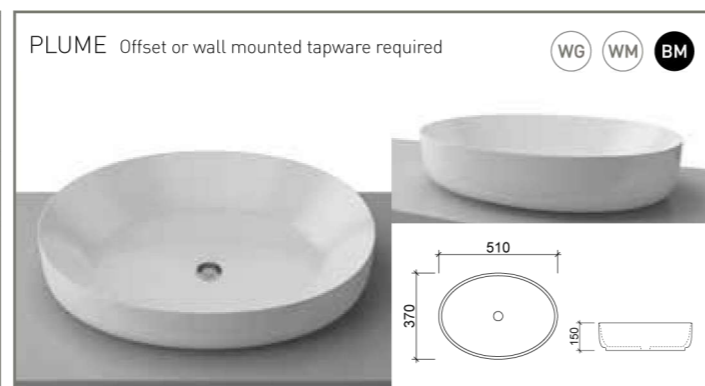
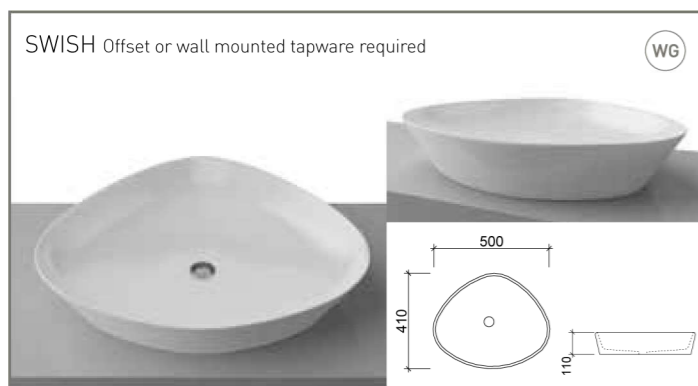
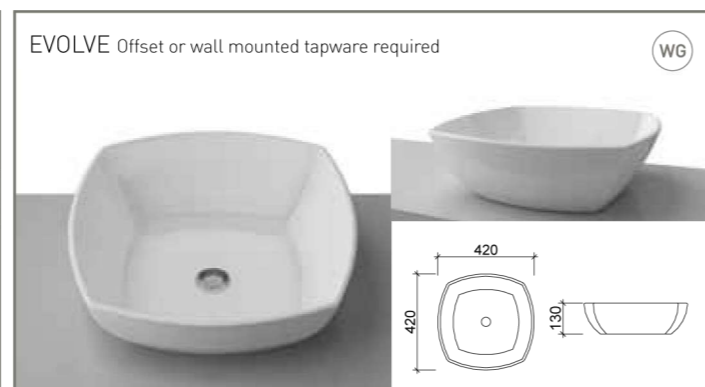
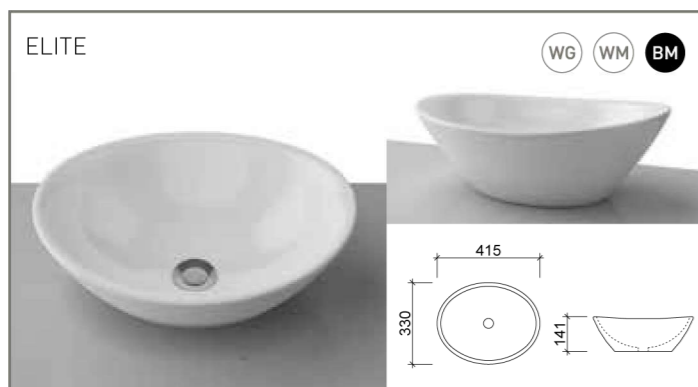
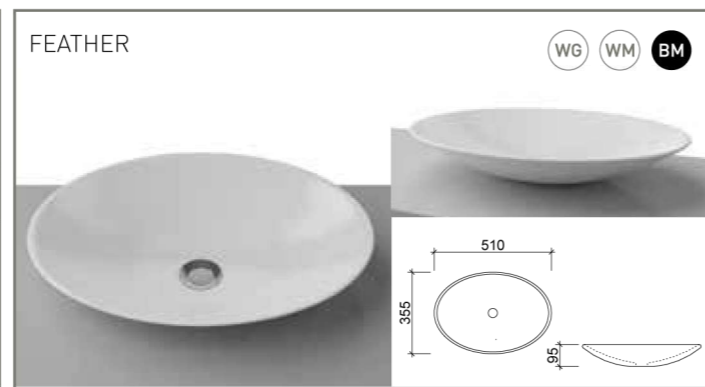
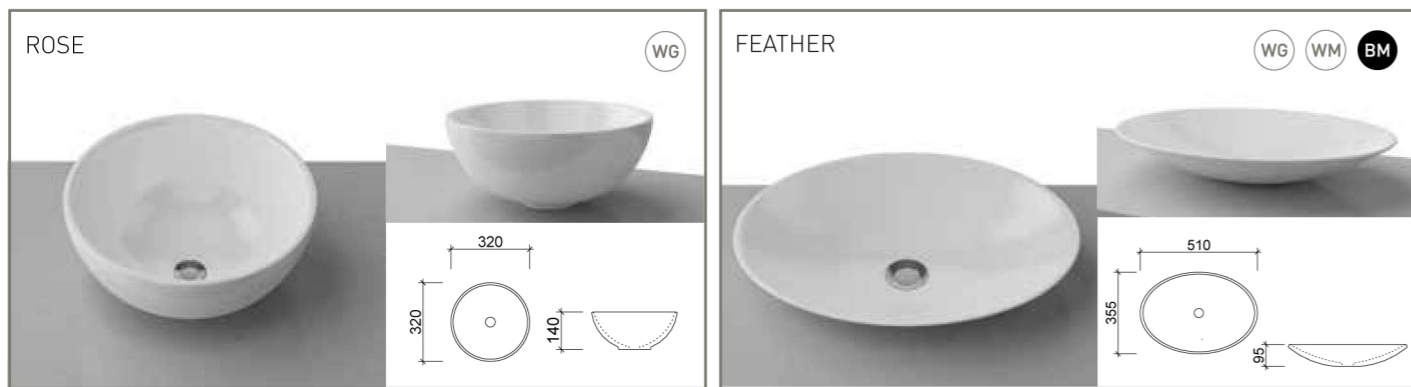
To make a claim please contact Timberline Bathroom Products on 1800 642 162 or at service@timberline.com.au.

WARRANTY REGISTER ONLINE at
<http://timberlinebp.com.au/contact-us/warranty/>

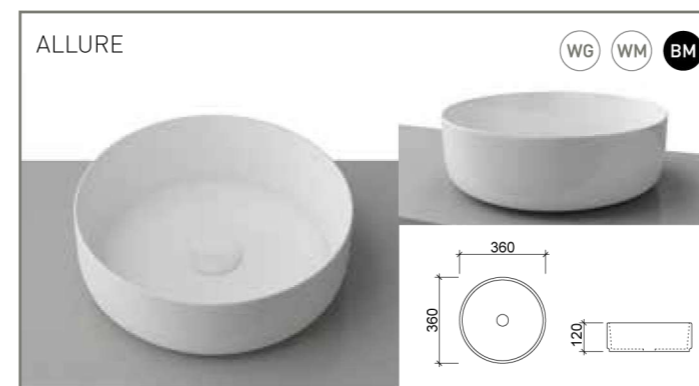
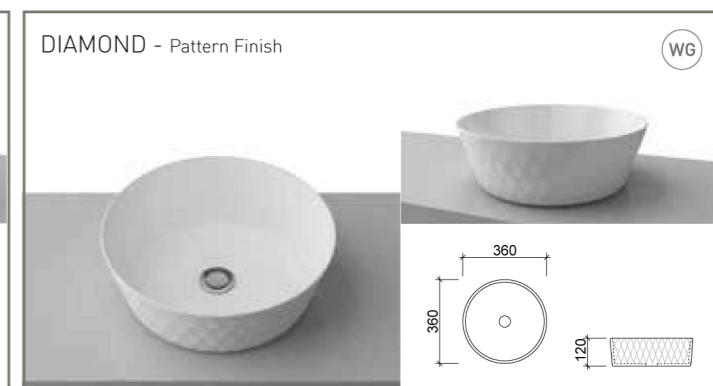
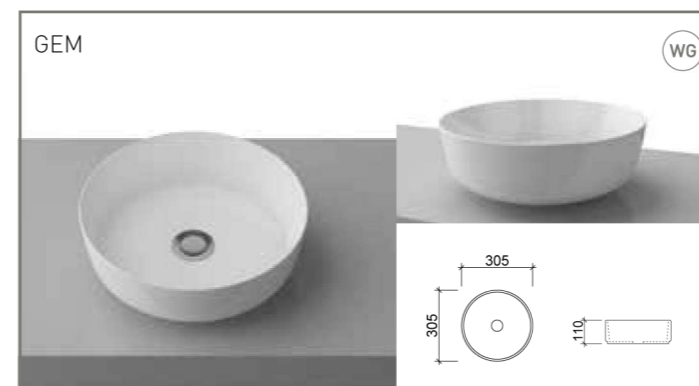
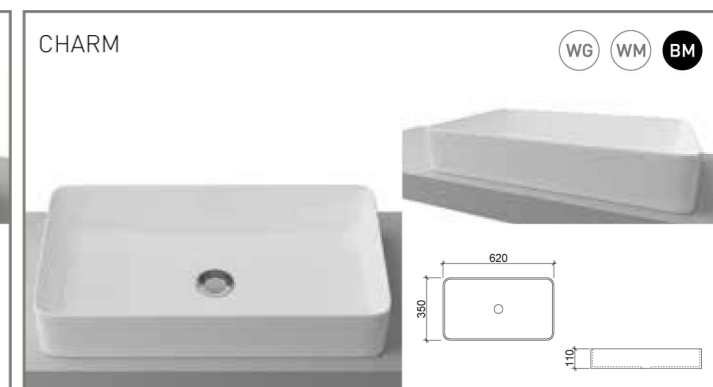
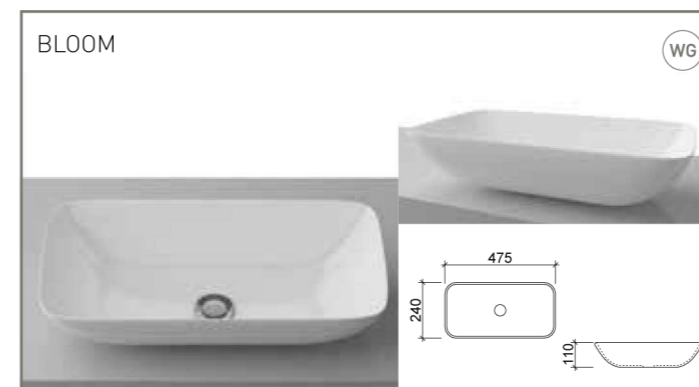
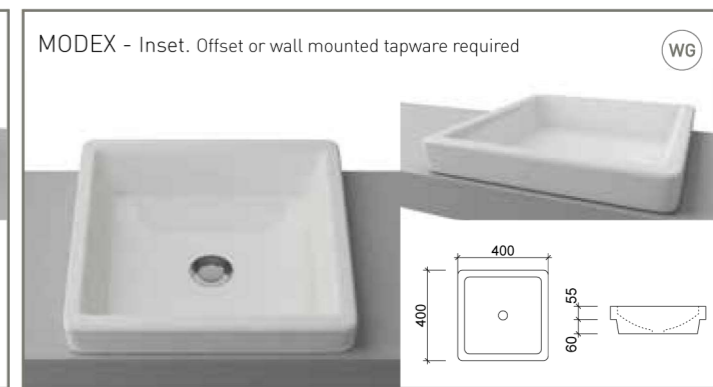
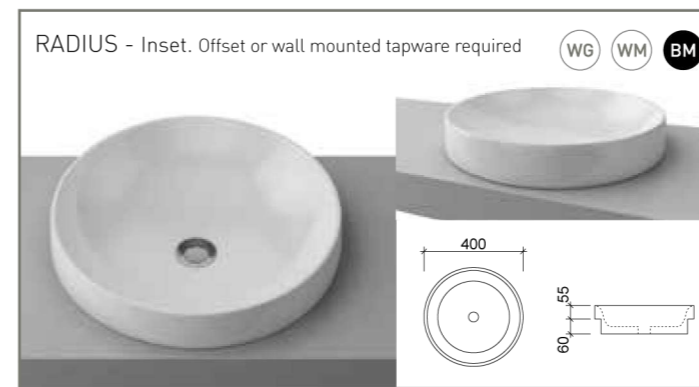
We'll keep a record of your purchase to save you the hassle. That way you know we will always have your warranty information saved - just in case something goes wrong...

BASIN COLLECTION

We've scoured the globe to bring you a selection of ceramic basins that are sure to excite. These basins are available on any of our cabinets. Mix them with your favourite benchtop colour to make a bathroom like none other.



If you're purchasing a Vanity that includes a slab top and basin	
Choose any White Gloss (WG) basin	No Charge
Upgrade to a White Matt, Black Matt or Coloured Basin (per Basin) BASCOLOPT	\$130
To purchase a basin on its own [See page 227 for part numbers]	
Any White Gloss basin	\$199
Any White Matt, Black Matt or Coloured Basin	\$329



ALLURE COLOURED BASINS

Did someone say trendy? Keen for a splash of colour in your new bathroom? These unique basins have a truly slimline edge and then are bathed in silky soft pastel hues. With the advantage of being able to change the basin in a few years' time should a colour slip out of fashion, these basins are a hot way to bring some design flair to your bathroom.

ALLURE COLOUR

To purchase a basin on its own

\$329

To upgrade to a coloured basin from a White Gloss basin

\$130



BLACK

BAS36AL-BLM



GREY

BAS36AL-GRM



PINK

BAS36AL-PIM



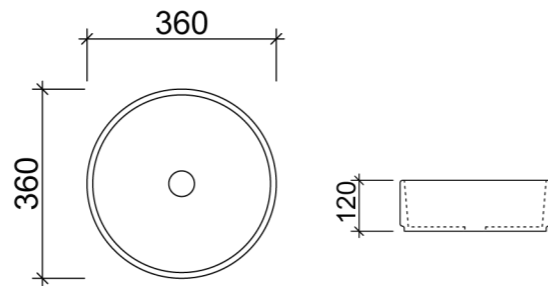
MINT

BAS36AL-MIM



BLUE

BAS36AL-BM



TIMBER TOP COLLECTION

There is nothing like a touch of real timber to bring a cosy and inviting feel to your new bathroom. These stunning solid timber tops give your bathroom a natural warmth and luster. They are all sealed and come with a 3 year warranty. Bamboo 40mm thick. Blackbutt 32mm thick. Pacific Teak 40mm thick. Tasmanian Oak 32mm thick.



Bamboo



Blackbutt



Tasmanian Oak



Pacific Teak

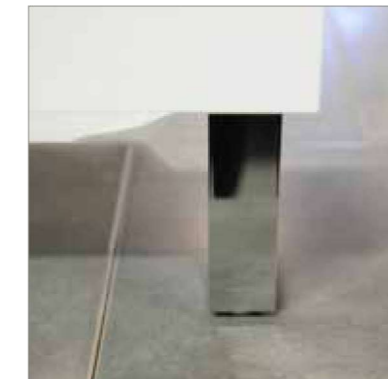
CABINET LEG COLLECTION

If your chosen vanity or tallboy is mounted on legs, you can select from these options below.



ROUND

Height = 150mm - 166mm
Legs can be adjusted within this size.



SQUARE

Height = 150mm - 166mm
Legs can be adjusted within this size.

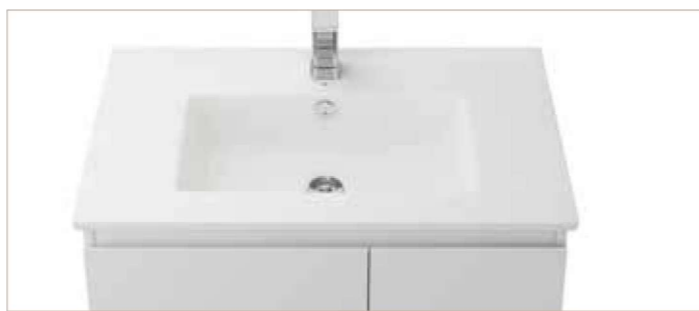


VANITY TOP COLLECTION

Get just the look you want with our ultimate selection of vanity tops. Browse the Pricelist to find which tops fit with which cabinet. The acrylic tops offer maximum durability and the biggest range of sizes. All our acrylic tops have a solid resin backing guaranteeing 10 years of constant use. Ceramic tops give timeless beauty while sculptured marble tops proudly show off their neat crisp lines.



REGAL ACRYLIC



URBAN CERAMIC



EMERALD



DIAMOND CERAMIC



GRAND ACRYLIC



PURE POND



HAVEN MATT



LIBERTY



TEMPO SCULPTURED MARBLE



CLASSIC ACRYLIC



OVAL UNDERMOUNT - Overflow to front of basin



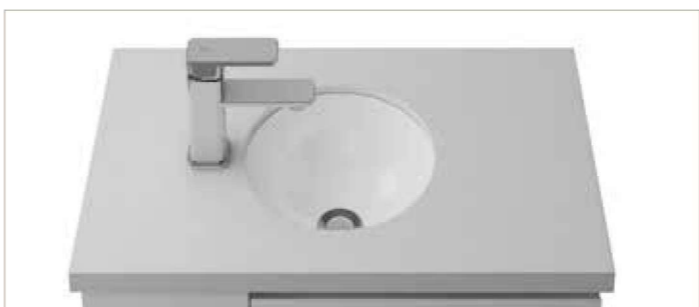
RECTANGLE UNDERMOUNT



BOWL PLUS CERAMIC



ALPHA CERAMIC



MINI ROUND UNDERMOUNT - Overflow to front of basin



MINI RECTANGLE UNDERMOUNT

CABINET HANDLE COLLECTION

What a selection! Choose from chrome, brushed, black or white - long or short - square or curved. We've got them all! Customise your cabinet with any of these stunning handle options at no extra cost!

ARCH HANDLE AVAILABLE IN 244mm & 340mm

CHROME BRUSHED NICKEL BLACK WHITE

CURVE HANDLE AVAILABLE IN 198mm & 359mm

CHROME BRUSHED NICKEL BLACK WHITE

SQUARE HANDLE AVAILABLE IN 224mm & 352mm

CHROME BRUSHED NICKEL BLACK WHITE

ROUND KNOB*

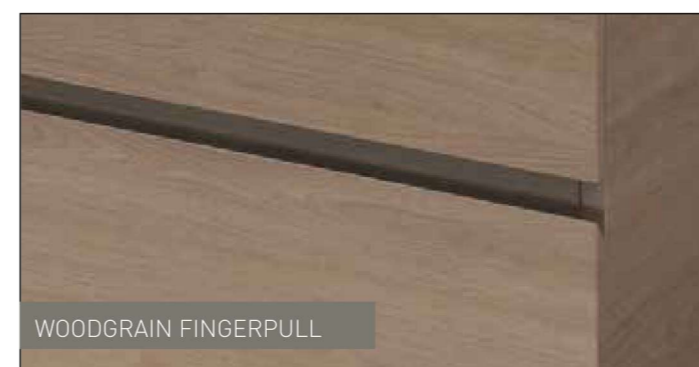
CHROME BRUSHED NICKEL BLACK WHITE

RETRO HANDLE*

CHROME BRUSHED NICKEL BLACK WHITE PEWTER

D HANDLE AVAILABLE IN 138mm*, 230mm, 361mm & 457mm

CHROME BRUSHED NICKEL BLACK WHITE



MOUNTING HOLE CENTRES

Handle Type	244mm	340mm	352mm	359mm	457mm
ARCH	224mm Holes	320mm Holes			
CURVE	160mm Holes	320mm Holes			
SQUARE	192mm Holes	320mm Holes			
D HANDLE	128mm Holes	224mm Holes	352mm Holes	448mm Holes	
RETRO	64mm				

*Denotes handles suitable size for the Victoria Shaker & Classic Fronts

Notes for Finger Pull Option:

Usable drawer height is reduced with finger pulls. Drawer and door widths might vary depending on cabinet layout.
Available in all colours.

SilkSurface™ 20mm SOLID SURFACE COLLECTION

SilkSurface is the right choice for enduring beauty. Manufactured using a special multi-process technique, these solid surfaces have a beautiful blend of colours with a realistic natural appearance. Tops made from our SilkSurface range are high performance 20mm acrylic solid surfaces.



Silksurface & Caesarstone brands may be substituted for equivalent colours if required.

caesarstone® 20mm COLLECTION

A classic and natural look! Caesarstone® is a 20mm thick engineered stone product has all the timeless beauty of natural stone. Manufactured with 93% natural quartz the durable surface is a practical, easy to clean, hard wearing option.

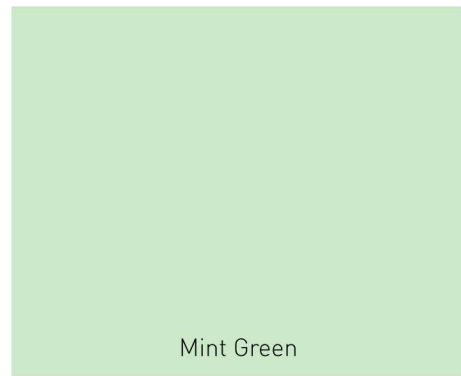
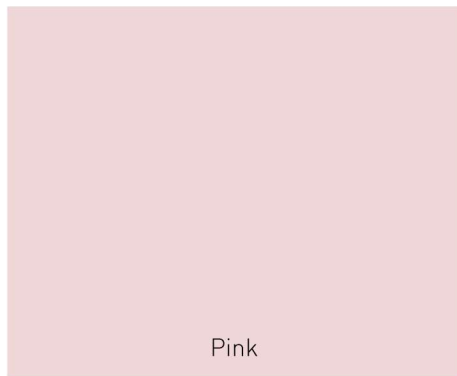
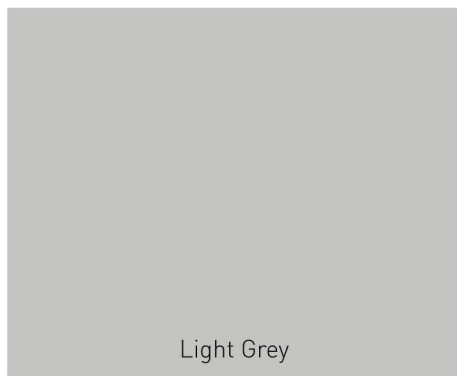
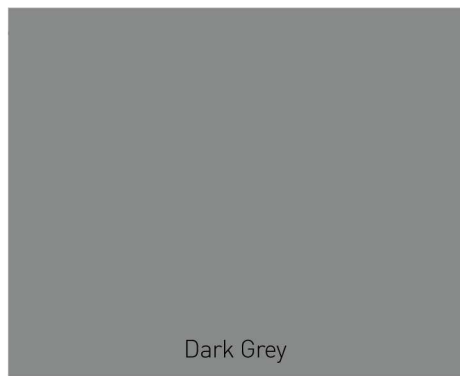
NOTE: While the colours below are our core range, we can access any of the Caesarstone 'Classico' 20mm range for the same price, with the exception of the 'Super Natural ULTRA' colours.



SPECIAL PAINT COLOUR COLLECTION

Looking for an alternative to the old fashioned white and you're not keen on woodgrain? A special colour paint might be the option for you. For a one off cost of \$202, Timberline can colour match any paint of colour your choice. Taubmans, Dulux, Wattyl, you name it. The problem now is – what colour do you pick?!? We have picked six 'on trend' colours below. We've tested and tried them and they look fantastic. So if you're unsure, we've given you a helping hand.

As the table on the next page shows, we're keen to make sure your new bathroom includes the exact colour you're looking for. You're special, so you should be able to choose a special colour!



DID YOU KNOW?

Timberline can custom make your cabinets in almost any colour and finish.

Give our friendly team a call and discuss your choice.

The colour choice is endless.

SPECIAL CABINET COLOUR OPTIONS

COLOUR OPTIONS	PART NO.	\$ (per cabinet)
Laminex Melamine Special Colours	SPECCOLLAMIN	\$202
Formica Melamine Special Colours	SPECCOLFORMIC	\$202
Polytec Melamine Special Colours	SPECCOLPOLYT	\$202
Laminex Crystal Gloss Special Colours	SPECCOLLAMCGLOS	\$280
Polytec Ravine/Legato Special Colours	SPECCOLPOLYTTEX	\$280
All other Non Standard Melamine Colours		POA
Special Paint Colour	SPECCOLPAINT	\$202
Ply Upgrade	SPECCOLPLY	\$252

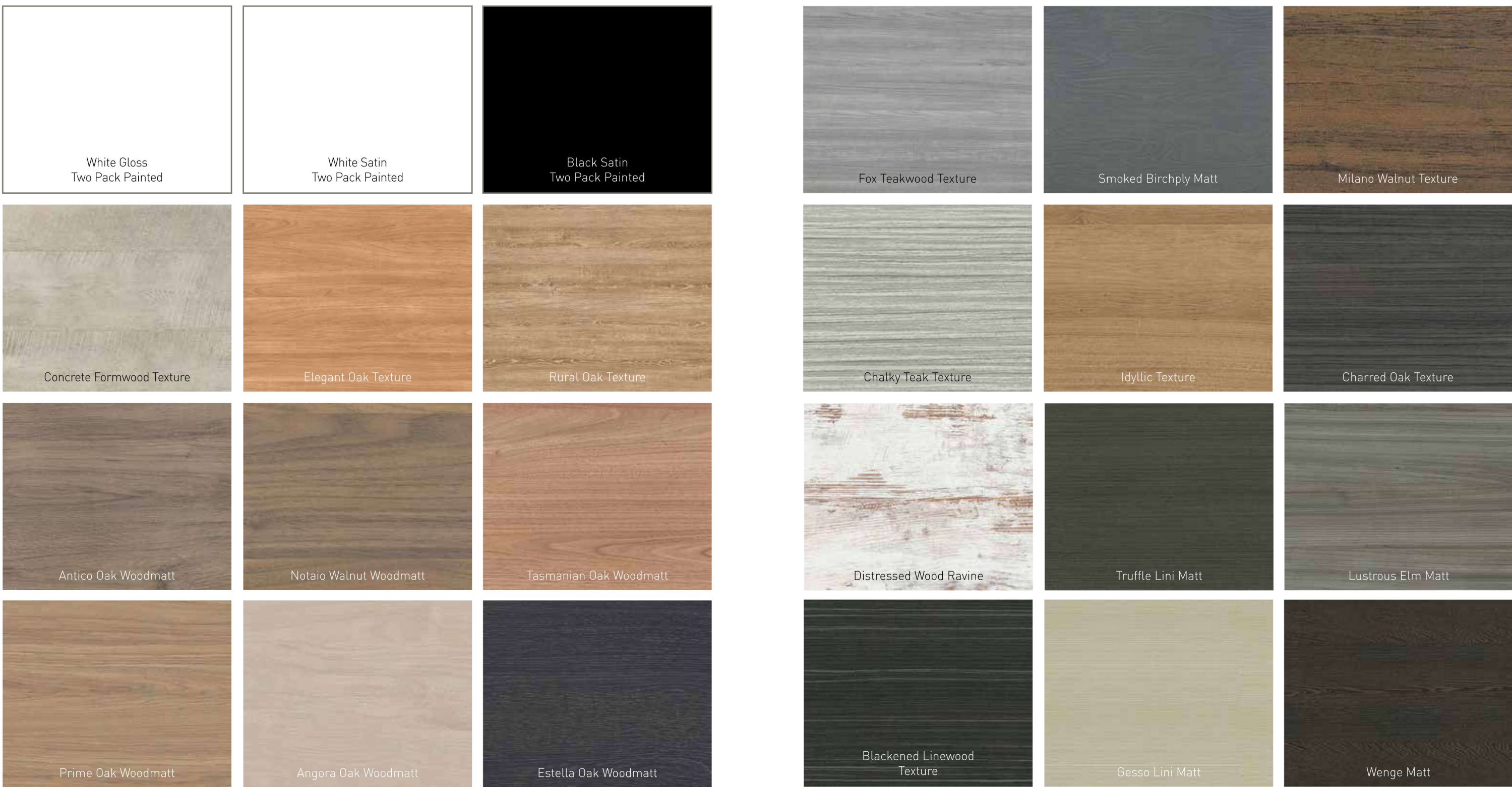


Images below are for illustration purposes. Please refer to the colour swatch for colour.



STANDARD CABINET COLOUR COLLECTION

Choose any of these colours on any of our Vanities, Tallboys, Shaving Cabinets or Mirrors - at no extra cost! White Gloss, White Satin & Black Satin are durable two pack polyurethane paint finish that are easy to clean. The Melamine woodgrain finishes are ultra durable and add warmth and colour to your bathroom. Some woodgrains have a matt finish while others have a realistic texture.



Please make sure you check out actual colour samples before placing your order. Obviously it is impossible to get a perfect reproduction of the real colours in a printed brochure. Colours may be substituted for alternative matching brands.

Note for Woodgrain cabinets: Due to manufacturing process, grain patterns do not line up across panels.