

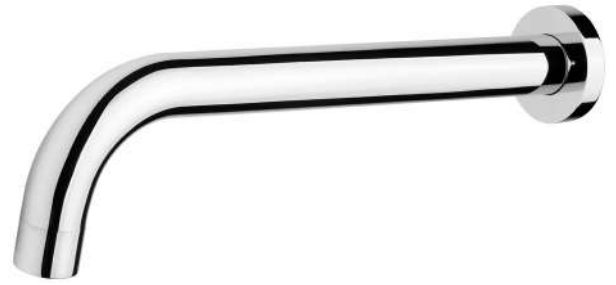


# PHOENIX

## SPECIFICATIONS

**VIVID**

### WALL BASIN OUTLET 250MM CURVED



PRODUCT CODE:	V254 CHR
FINISH:	CHROME
WELS:	5 STAR - 5.0LT/MIN

#### INFORMATION:

MATERIAL:	BRASS
TEMPERATURE RATING:	MIN 1° - MAX 75°
PRESSURE RATING:	MIN 150 kPa - MAX 500 kPa

#### CONSUMER UNIT:

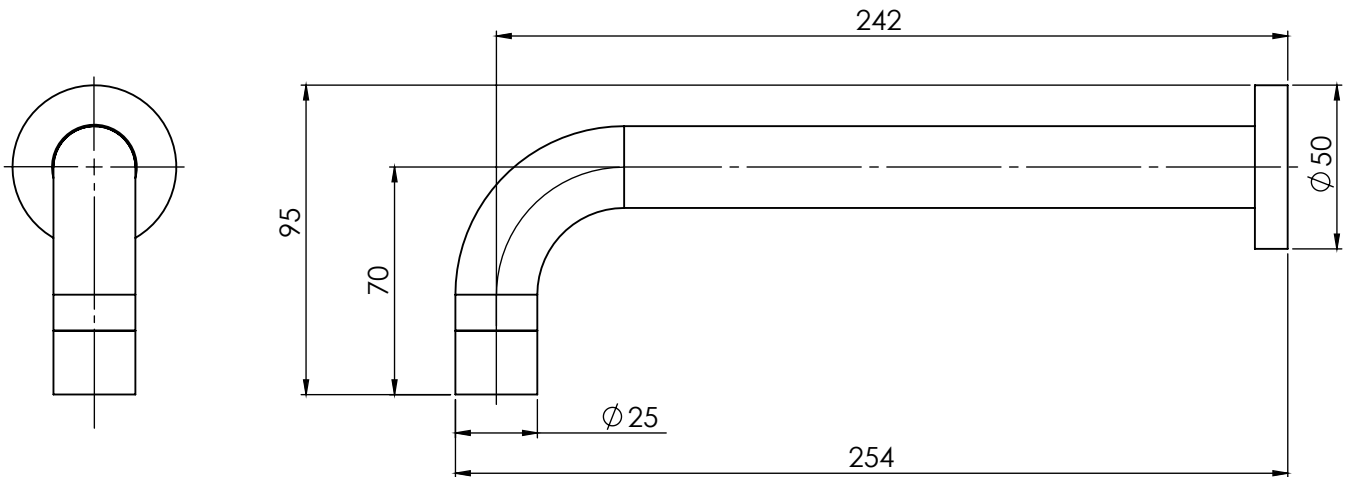
SIZE:	L 270MM x W 90MM x H 40MM
GROSS WEIGHT:	0.4 KG
BARCODE EAN-13:	9 320594 011 291

AVAILABLE IN:



CHROME

FOR MORE INFORMATION VISIT  
[www.phoenixtapware.com.au](http://www.phoenixtapware.com.au)



PLEASE [CLICK HERE](#) TO VIEW FULL WARRANTY

While we aim to ensure the specifications shown are correct at time of printing, Phoenix Tapware reserves the right to make modifications without prior notice. Always use the physical product measurements for mark-ups and roughing-in as the line drawing shown may differ from the actual product over time. All measurements are shown in millimetres.

[www.phoenixtapware.com.au](http://www.phoenixtapware.com.au)  
03 9780 4200



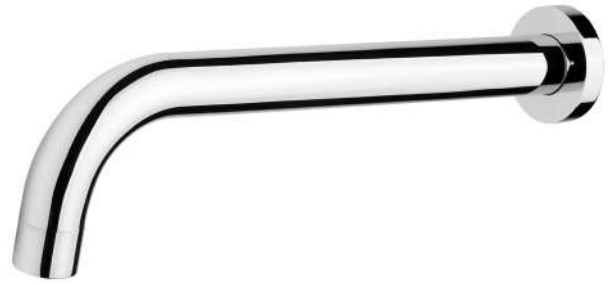
# PHOENIX

SPECIFICATIONS

**VIVID**

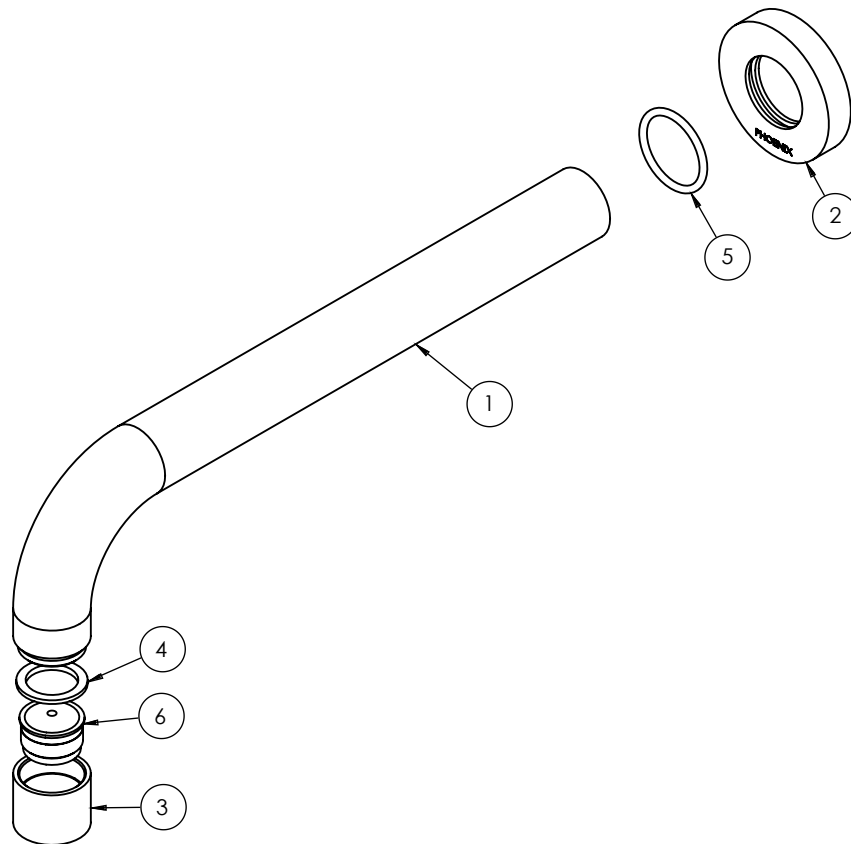
## WALL BASIN OUTLET 250MM CURVED

PRODUCT CODE: V254 CHR  
FINISH: CHROME  
WELS: 5 STAR - 5.0LT/MIN



### PARTS LIST

1. SPOUT 250MM
2. BACKPLATE
3. AERATOR RETAINER
4. AERATOR GASKET
5. O-RING 25X2.5MM
6. AERATOR



### MAINTENANCE AND CARE:

- All surfaces should be cleaned with mild liquid detergent or soap and water.
- Do not use cream cleaners or citrus based cleaning products, as they are abrasive.
- Use of unsuitable cleaning agents may damage the surface. Any damage caused in this way will not be covered by warranty.

### PACKAGING INCLUDES

- 1 x Wall basin outlet 250mm
- 1 x Installation instructions
- 1 x Warranty card

PLEASE [CLICK HERE](#) TO VIEW FULL WARRANTY

While we aim to ensure the specifications shown are correct at time of printing, Phoenix Tapware reserves the right to make modifications without prior notice. Always use the physical product measurements for mark-ups and roughing-in as the line drawing shown may differ from the actual product over time. All measurements are shown in millimetres.

[www.phoenixtapware.com.au](http://www.phoenixtapware.com.au)  
03 9780 4200