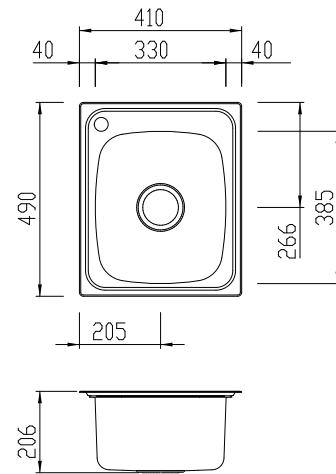


# 440 Martini

Oliveri®



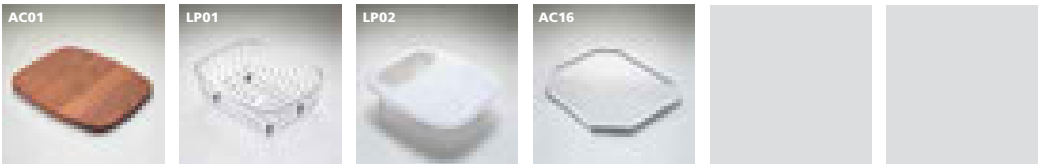
## INCLUDED ACCESSORIES



## RECOMMENDED TAPWARE



## OPTIONAL ACCESSORIES



## SPECIFICATIONS

### Description

Singl bowl inset sink

### Sink Size

410W x 490H

### Deep Bowl

330W x 385H x 190D / 21L

### Construction

2 piece, bowls & drainer seam welded

### Material

304 grade, 18/10 polished stainless steel (0.8mm thick)

### Installation

Inset recommended.

### Fixings

Adjustable clips and sealing foam supplied

### Cut Out Template

390 x 470 x 10mm radius

### Min Cabinet Size

500mm

### Tap holes

Available 0 - 2 tap hole (specify positioning when ordering)

### Waste fittings

1 x 90mm basket waste included

### Overflow

Available, conditions apply

### Carton Size

500 x 420 x 220mm

### Weight

4.0kg

### Warranty

Lifetime manufacturer's warranty (refer to oliverisinks.com)

For more information call **1300 13 7465** or visit **www.oliverisinks.com**

