

TFT2000

Timed Flow Pillar Tap

6 Star 4lpm

FLOSTOP Timed Flow Single Temperature 90° Pillar Tap

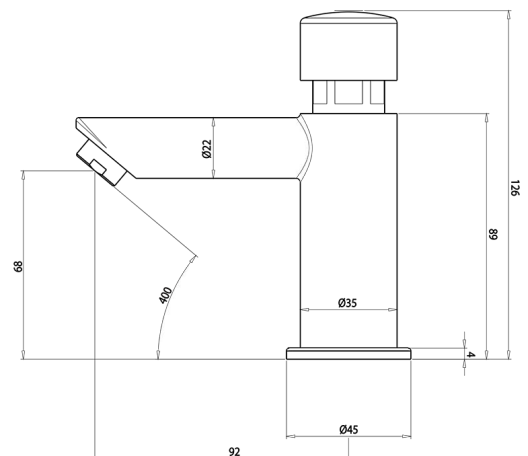
Technical Information:

Materials	Brass
Cartridge	Timed Flow (Variable timed delay available)
Run Time	4 - 6 seconds (Up to 60 seconds available)
Inlet Valve	15mm Flexible Connection
Outlet Valve	Aerator
Working Pressures	150kpa - 500kpa
Max Working Temp.	60°C
Seat	Hydraulic
Finish	Chrome Plated
Servicing	Regular Maintenance
Warranty	10 Years*



Features:

- Soft close, hydraulically operated time flow suitable for all markets, including childcare
- Concealed aerator
- Three coloured button indicators supplied
- Designed for durability and to be anti-vandal so suitable for use in public areas
- 1 service kit used across the whole Flostop range
- Supplied with inlet strainer and flow controller
- Gentec can customise products to suit customer requirements
- Recommended for Commercial and Public projects



FLOSTOP