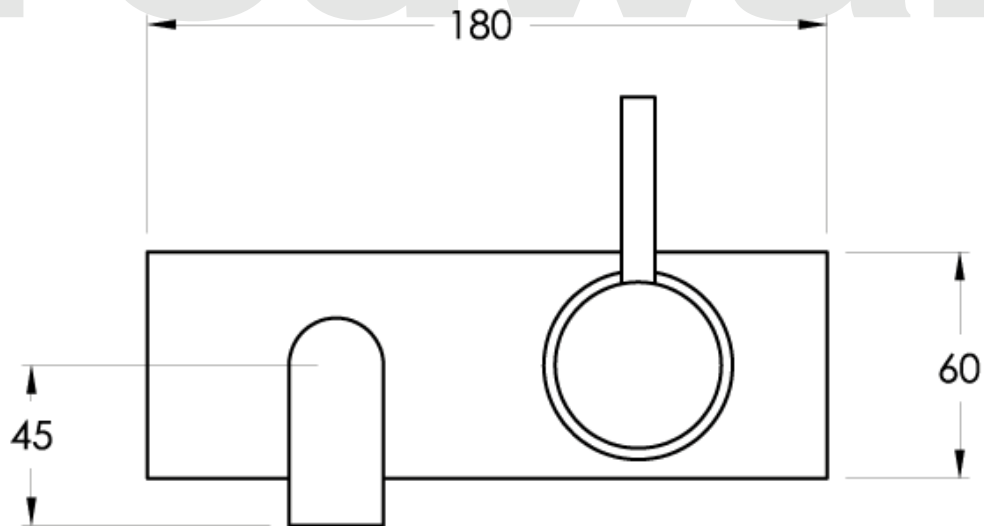


Brodware



(A) Approximate distance

**CITY STIK**

**1.9905.05.0.XX**

XX Indicates finish  
 Manufacturing engineers of quality commercial and residential fittings  
 Dimensions subjects to change without notice. All dimensions are approximate  
 Copyright © Brodware Industries 2013. www.brodware.com.au

**Brodware**<sup>TM</sup>