

King

TANKLESS®



Luxury Collection

THRONE
Toilet Systems

King

TANKLESS®

Luxury

Auto Open/close lid and seat & night light

Auto Open/close lid and seat with the Combined features of the Auto Flush, Warm seat and Bidet, there is no substitute for modern luxury, that captures innovative and creative thoughts in developing an upgraded culture living around the bathroom



W
Level 1
20094/2



Available In

- Ceramic Porcelain
- Acrylic



1 Pocket 3 Way Nozzle (Stainless)

- Posterior wash: cleanses the posterior.
- Feminine wash: cleanses the vaginal area comfortably with clean aerated water.
- Enema wash: sends off a stream of clean water into the rectum to help pass a motion



Night Light

The LED light is designed to light up the bowl making it easier to use at night.



Automatic open/close of toilet seat and lid

When you stand in front of the toilet, the lid automatically opens and when you move away from the toilet, the lid automatically closes



Hi-tech wireless remote

Auto flush is available by wireless remote control. All Bidet functions is available by remote control and the lamp shows the current operation.



Auto flushing

A small flush of about 3L will be used if the seat is occupied for less than 25 seconds. A full flush of about 4.5L will be used when the seat is occupied for over 25 seconds. Dual auto flush is available by seat sensor after the user stands up.



Seat sensor

The seat sensor detects when you sit down on the seat and allows the toilet to flush when you leave.



Soft Close

The seat and lid close down softly.



Heated seat

The seat temperature is adjustable.



S-Trap / P-Trap Compatible

- No noise on interlayers.
- No need to dismantle the floor if water leaks.
- No need to visit one's neighbour to repair a water leak.
- Less cost against wall-hung toilet system.



Super water saving toilet

The system features perfect flushing even with low water pressure (1.5kgs/cm². 20L/min) with a considerable water saving of 3L for a half flush and 4.5L for a full flush. (Min 150 kPa - Max 750 kPa, with 20L per minute water flow required)



Siphon water jet, Tornado flushing

Waste is flushed by the use of high pressure jet nozzles, known as Tornado flushing. This system, while extremely efficient uses only a small amount of water with its Siphon water jet technology.

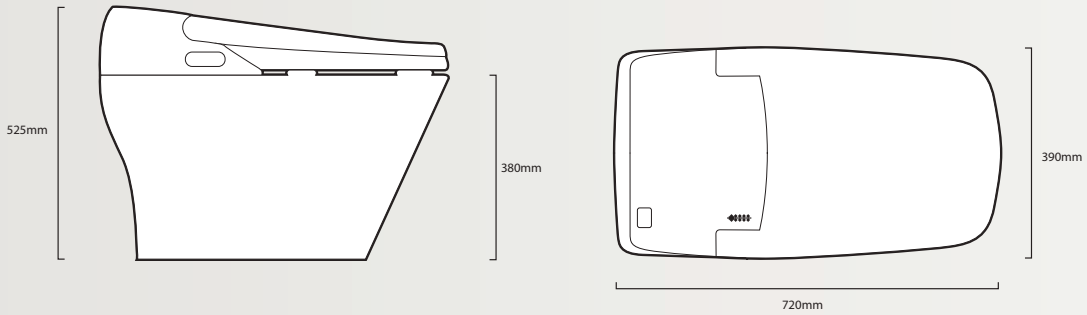


Warm Air Dryer

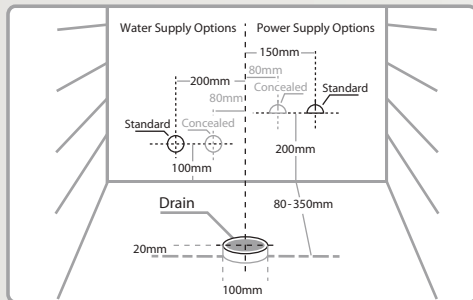
Air temperature is adjustable to your preference

King

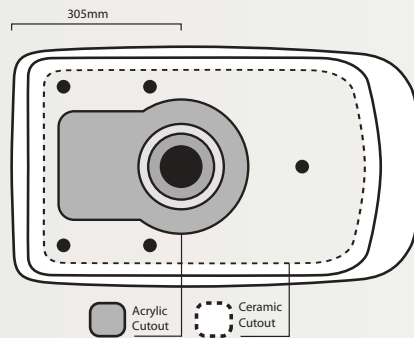
TANKLESS®



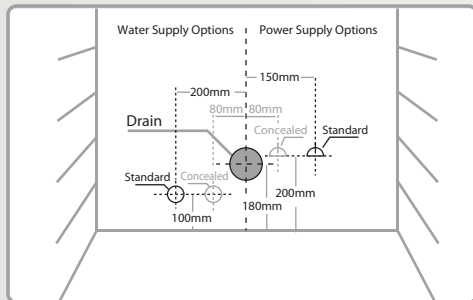
Floor drain S-Trap (Standard services / Concealed services)



200mm-350mm - Standard set out / 80-200mm - Modified set out (STM)
Queen installation S-Trap ONLY

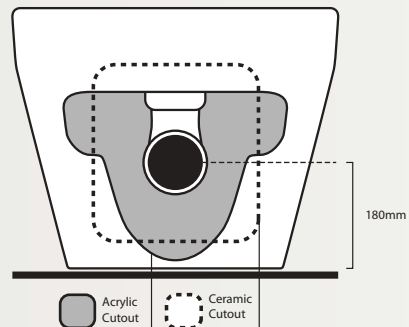


Wall drain P-Trap (Standard services / Concealed services)



180mm - Standard Set out

Ceramic or Acrylic



Water Pressure

Minimum 150kpa. Maximum 750kpa with 20L per minute minimum flow

Electrical

Standard 10amp power point required

Installation

To be carried out by a licensed plumber. Installation as per local region, council plumbing specifications and plumbing codes additional back flow device may be a requirement