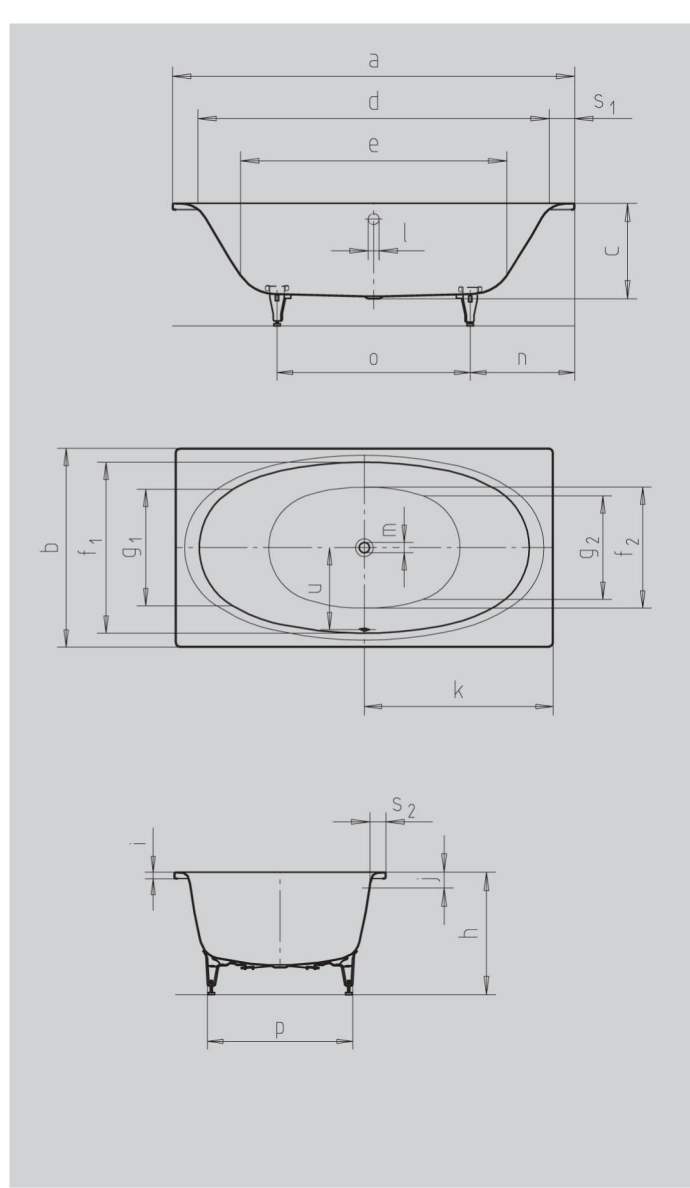


# ELLIPSO DUO

- gently shaped shoulder rest for more pleasure and comfort
- bathing with a friend: two identical back rests and centrally positioned waste
- classic rectangular model
- made of Kaldewei steel enamel 3.5 mm



**30**  
YEARS GUARANTEE

Model No.		230
External length	a	1900 mm
External width	b	1000 mm
Depth	c	450 mm
Internal length (top)	d	1660 mm
<b>Internal length (bottom)</b>	<b>e</b>	<b>1260 mm</b>
Internal width (top)	f <sub>1</sub> ; f <sub>2</sub>	860; 610 mm
Internal width (bottom)	g <sub>1</sub> ; g <sub>2</sub>	585; 520 mm
Height with feet	h	565-595 mm
Height of rim	i	32 mm
Distance top edge to centre of overflow hole	j	75 mm
Distance tub edge to centre of drain hole	k	950 mm
Diameter of overflow hole	l	52 mm
Diameter of drain hole	m	52 mm
Distance foot end of tub edge to centre of foot	n	585 mm
Distance between the feet	o	730 mm
Max. width of feet	p	620 mm
Width of rim (foot end; lengthwise)	s <sub>1</sub> ; s <sub>2</sub>	120; 65 mm
Distance between centre holes	u	421 mm
Water volume** in litres		214
Weight of the enamelled bath tub in kg		59
Anti-slip		587 mm
Full anti-slip		900 x 546 mm

Note: The operational system may protrude on some whirl systems.  
Please refer to the Technical Information for Whirl Systems for further information.  
Subject to technical alterations and tolerances.  
\*\* 70 litres displacement on average.