



# PHOENIX

## SPECIFICATIONS

### VIVID

### SINK MIXER

PRODUCT CODE: V730 CHR  
 FINISH: CHROME  
 WELS: 4 STAR - 7.5LT/MIN

#### INFORMATION:

MATERIAL: BRASS  
 TEMPERATURE RATING: MIN 1° - MAX 75°  
 PRESSURE RATING: MIN 150 kPa - MAX 500 kPa

#### CONSUMER UNIT:

SIZE: L 275MM x W 240MM x H 75MM  
 GROSS WEIGHT: 2.1 KG  
 BARCODE EAN-13: 9 320594 001 735

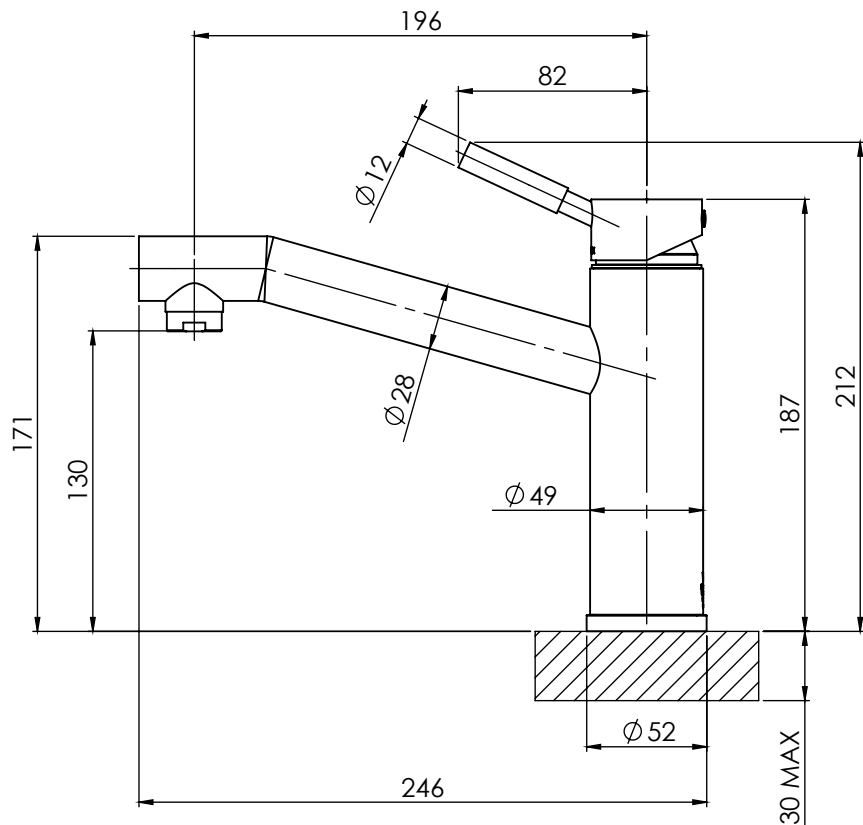
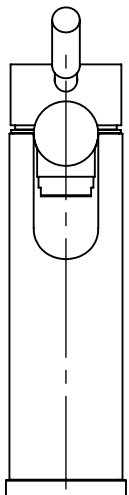


AVAILABLE IN:



CHROME

FOR MORE INFORMATION VISIT  
[www.phoenixtapware.com.au](http://www.phoenixtapware.com.au)



PLEASE [CLICK HERE TO VIEW FULL WARRANTY](#)

While we aim to ensure the specifications shown are correct at time of printing, Phoenix Tapware reserves the right to make modifications without prior notice. Always use the physical product measurements for mark-ups and roughing-in as the line drawing shown may differ from the actual product over time. All measurements are shown in millimetres.

[www.phoenixtapware.com.au](http://www.phoenixtapware.com.au)  
03 9780 4200



# PHOENIX

## SPECIFICATIONS

### VIVID

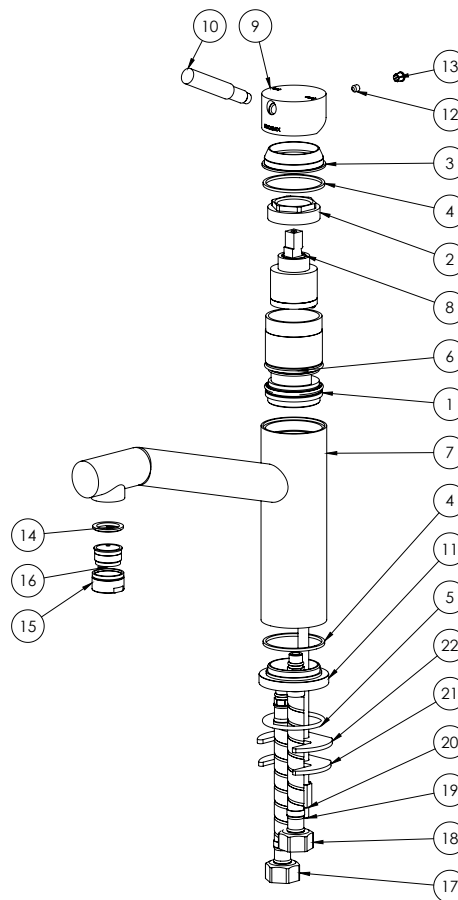
### SINK MIXER

PRODUCT CODE: V730 CHR  
 FINISH: CHROME  
 WELS: 4 STAR - 7.5LT/MIN



#### PARTS LIST

1. SWIVEL VALVE SEAT
2. MIXER LOCKNUT
3. MIXER COLLAR
4. NYLON RING
5. O-RING 41X3.0MM
6. VALVE SEAT GASKET
7. MIXER BODY
8. 35MM CARTRIDGE
9. MIXER HANDLE
10. PIN LEVER
11. SWIVEL DRESS PLATE
12. GRUB SCREW M5X5MM
13. SCREW CAP
14. AERATOR GASKET
15. AERATOR RETAINER
16. AERATOR
17. FLEXIBLE HOSE 450MM HOT
18. FLEXIBLE HOSE 450MM COLD
19. THREADED ROD M8 X150MM
20. THREADED NUT M8
21. FIXING PLATE
22. RUBBER FIXING PLATE



#### MAINTENANCE AND CARE:

- All surfaces should be cleaned with mild liquid detergent or soap and water.
- Do not use cream cleaners or citrus based cleaning products, as they are abrasive.
- Use of unsuitable cleaning agents may damage the surface. Any damage caused in this way will not be covered by warranty.

#### PACKAGING INCLUDES

- 1 x Sink mixer
- 1 x Installation kit
- 1 x 450mm braided flexible cold hose
- 1 x 450mm braided flexible hot hose
- 1 x Swivel spacer
- 1 x Installation instructions
- 1 x Warranty card

PLEASE [CLICK HERE](#) TO VIEW FULL WARRANTY

While we aim to ensure the specifications shown are correct at time of printing, Phoenix Tapware reserves the right to make modifications without prior notice. Always use the physical product measurements for mark-ups and roughing-in as the line drawing shown may differ from the actual product over time. All measurements are shown in millimetres.

[www.phoenixtapware.com.au](http://www.phoenixtapware.com.au)  
03 9780 4200