
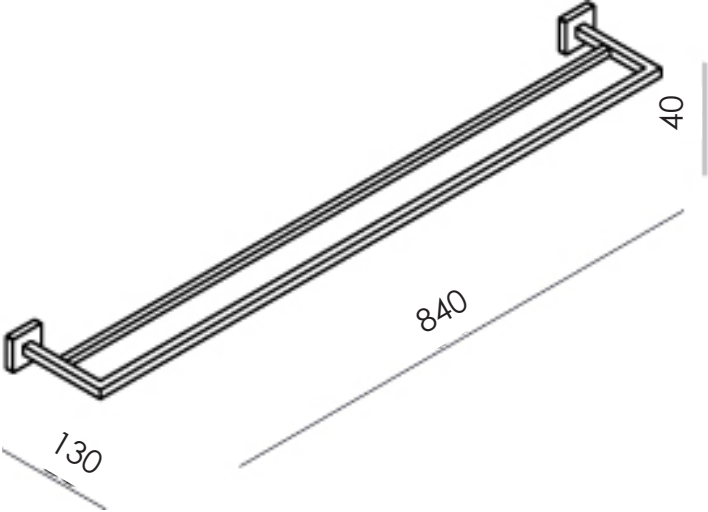




LINE 800 Double Towel Rail

Product Image	Technical Specification
	

Description	Additional Information
<p>LINE DOUBLE TOWEL RAIL</p> <p>AR21803</p>	<ul style="list-style-type: none"> • Chrome Plated • 800mm Centres