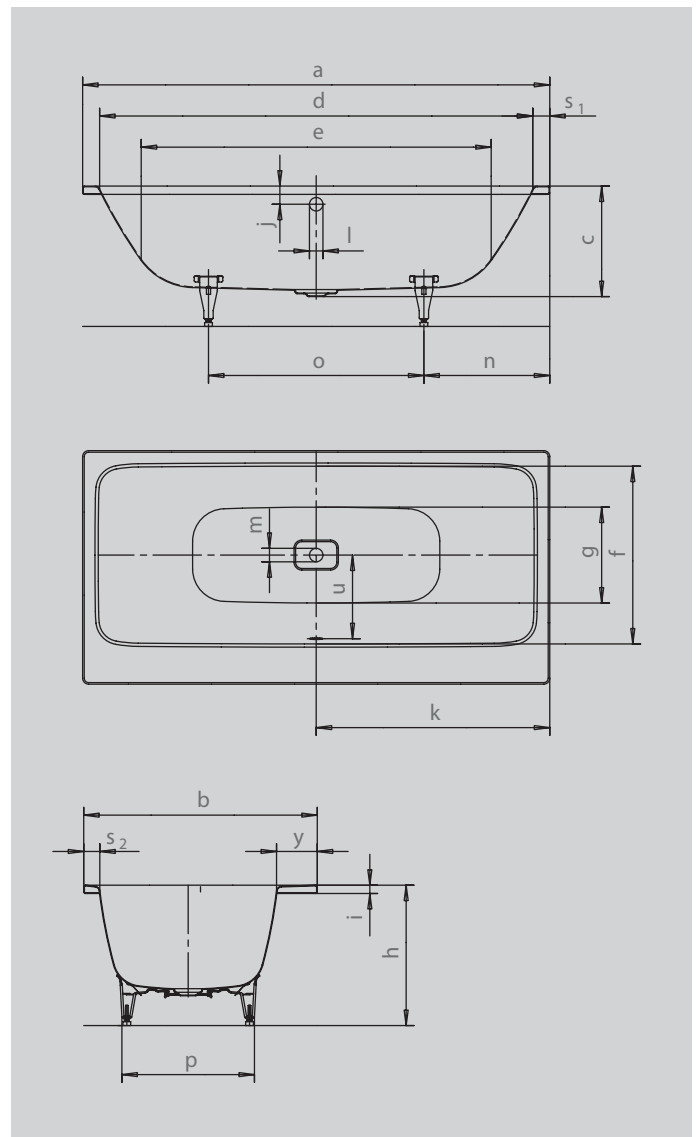


ASYMMETRIC DUO

- exciting contrast between the clear lines of the bath rim and the flowing, ergonomic design language of the interior
- generously sized storage area that can also be used as a seat or to accommodate bath rim tap fittings
- enamelled waste cover and overflow knob integrated in the bath design
- bathing with a friend: two identical back rests and centrally positioned waste
- made of Kaldewei steel enamel 3.5 mm
- **30 YEAR WARRANTY**



Model No.		740	742	744
External length	a	1700	1800	1900 mm
External width	b	800	900	1000 mm
Depth	c	425	425	425 mm
Internal length (top)	d	1570	1670	1770 mm
Internal length (bottom)	e	1246	1348	1484 mm
Internal width (top)	f	616	681	751 mm
Internal width (bottom)	g	500	600	646 mm
Height with feet	h	540-560	540-560	540-560 mm
Height of rim	i	32	32	32 mm
Distance top edge to centre of overflow hole	j	70	70	70 mm
Distance bath edge to centre of drain hole	k	850	900	950 mm
Diameter of overflow hole	l	52	52	52 mm
Diameter of drain hole	m	52	52	52 mm
Distance foot end of bath edge to centre of foot	n	550	580	585 mm
Distance between the feet	o	600	640	730 mm
Max. width of feet	p	445	525	585 mm
Width of rim (foot end; lengthwise)	s ₁ ; s ₂	65; 62	65; 62	65; 62 mm
Distance between centre holes	u	300	335	370 mm
Shelf (width)	y ₃	122	157	187 mm
Water volume** in litres		123	163	208
Weight of the enamelled bath in kg		50	56	64
Anti-slip		348 x 348	396 x 396	396 x 396 mm
Full anti-slip		740 x 252	876 x 252	924 x 348 mm

Note: The operational system may protrude on some whirl systems.
Please refer to the Technical Information for Whirl Systems for further information.
Subject to technical alterations, tolerances and errors. Similar illustration.
** 70 litres displacement on average.

KALDEWEI